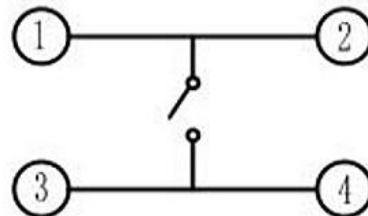
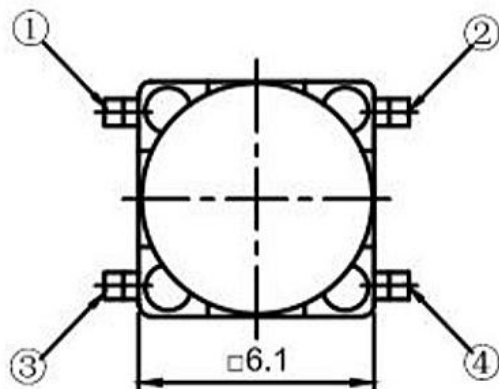


CIRCUIT DIAGRAM

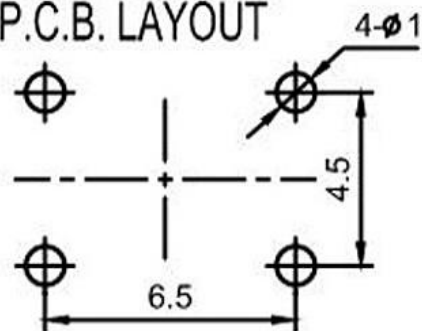


技术参数:

1. 做用温度: -25~+85℃;
2. 额定负荷: DC 12V 50mA;
3. 接触电阻: ≤50mΩ;
4. 绝缘电阻: ≥100MΩ;
5. 耐 压: AC250V (50Hz)/min;
6. 动 作 力: 180g±50g;
7. 使用寿命: 100000次;
8. 未注尺寸公差参照下面表格。



P.C.B. LAYOUT



H	7	7.4	7.5	7.6	8	8.3	8.5	9	9.5	9.8	10	10.5
H	10.7	10.9	11	11.3	11.5	12	12.5	13	13.5	14	14.5	15
H	15.5	16	16.5	16.6	17	17.5	18	18	18.5	19	19.5	20
H	20.5	20.7	21.2	22	23	24	24.5	25.5	25.8	26	27	

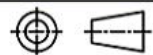


广东科斯达开关厂

TITLE : TACT SWITCH

MODEL :

DRAWING NO.



UNIT : M M	DWN.	LSX	2015-02-18	GENERAL TOLERANCE
SCALE : 5 : 1	CHK' D	LJ	2015-02-18	WITHIN 1.5mm±0.1mm
LEVEL 1	REV R1	APPD.	CC	2015-02-18
				OVER 1.5mm±0.2mm

9				
8				
7				
6	CAP	ABS/PC	1	SLIVER /BLACK
5	CONTACT	PBS	1	Ag CLAD
4	TERMINAL	BRASS STRIP	4	Ag PLATED
3	BASE	PA66	1	BLACK
2	COVER	PET	1	NATURAL
1	KNOB	PA66	1	WHITE
NO.	PART NAME	MATERIAL	QTY.	FINISHING