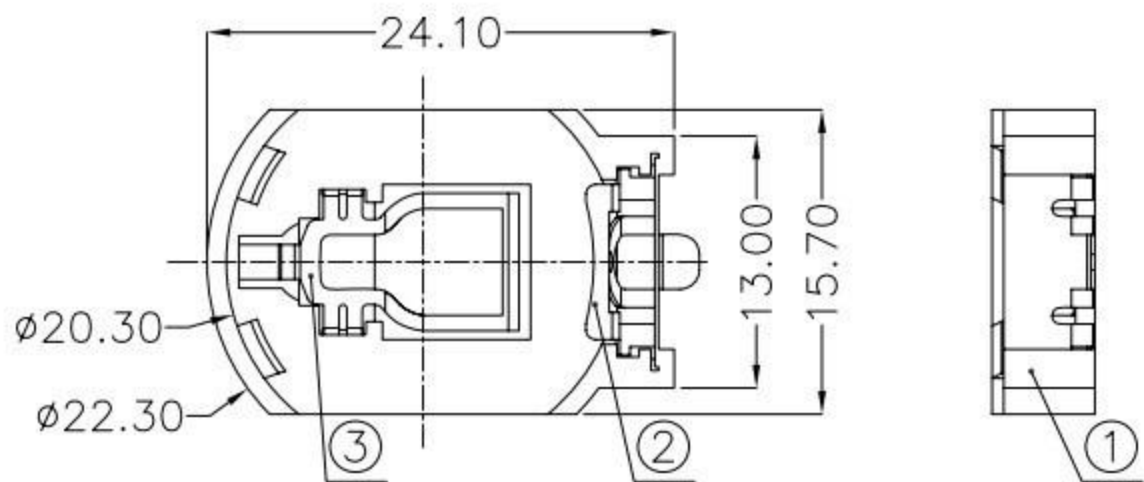




REV.	ECN NO.	REVISED	DATE



NOTE:

1.MATERIAL:

a.HOUSING:PPA

b.CONTACT:PHOSPHOR BRONZE
(SURFACE PLATING: Au1u")

SEE ORDERING INFORMATION

2.ELECTRIC:

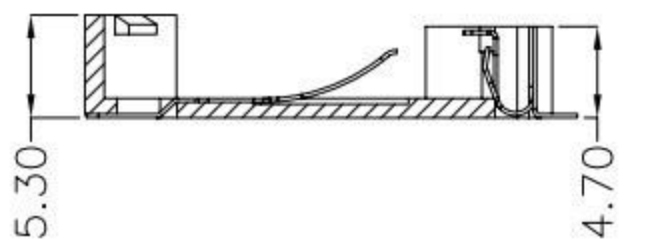
a.CONTACT RESISTANCE: 30 MILLIOHMS MAX

b.INSULATION RESISTANCE: 1000 MEGA OHMS MIN

c.DIELECTNIC VOLTAGE: 500V AC ONE SEC LEVEL

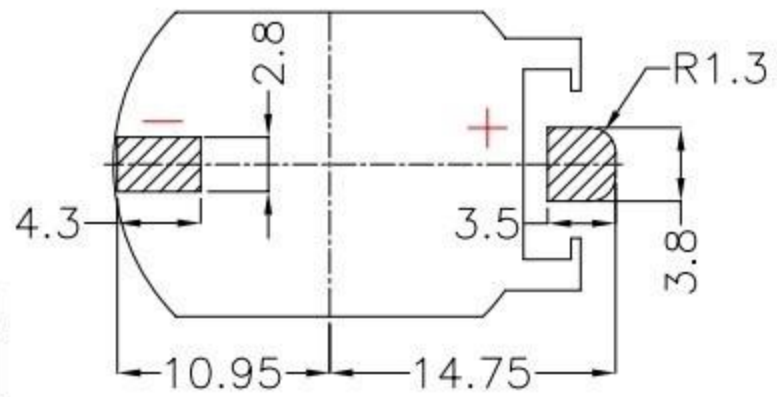
d.OPERATING TEMPERATURE: -25° C~ +85° C

ORDERING INFORMATION



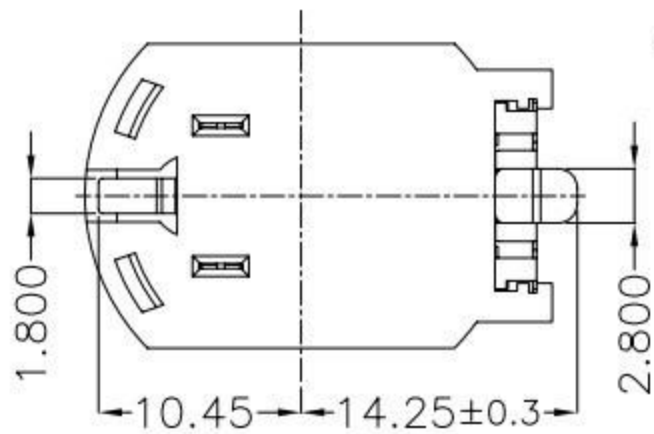
电池座系列

PLATING:
A-Au1U"
J-Ni100U"~120U"
K-Sn100U"~120U"



SMT 180° TYPE

MATERIAL:
1A-PBT BLACK
1B-PA66 BLACK
2A-PPA BROWN
2B-PPA BLACK
3A-PPS BROWN
3B-PPS BLACK
4A-LCP WHITE
4B-LCP BLACK



PCB Layout Diagram
Top View

UNLESS OTHERWISE SPECIFIED TOLERANCES		廣東科斯達電子科技有限公司			
DECIMALS: X :±0.30 X.X :±0.25 X.XX :±0.20 X.XXX :±0.10	ANGLES: X :±1° X.X :±0.5°	DSND	DATE	2017-06-28	TITLE:
WEIGHT: 0.86g		CHKD	DATE	2017-06-28	PART NO.:
SHEET 1 OF 1		APVD	DATE	2017-06-28	
SCALE: 2:1		SIZE: A4	VIEW:	DRAW NO.:	
UNIT: mm		REV.: A/0	OBJECT: MY		

NO.	PART NAME	Q'TY	MATERIAL	PLATING & COLOR
3	TERMINAL(-)	1	PHOSPHOR BRONZE, T=0.20mm	Gold Plating and Ni Under-Plating
2	TERMINAL(+)	1	PHOSPHOR BRONZE, T=0.20mm	Gold Plating and Ni Under-Plating
1	HOUSING	1	PPA	BROWN