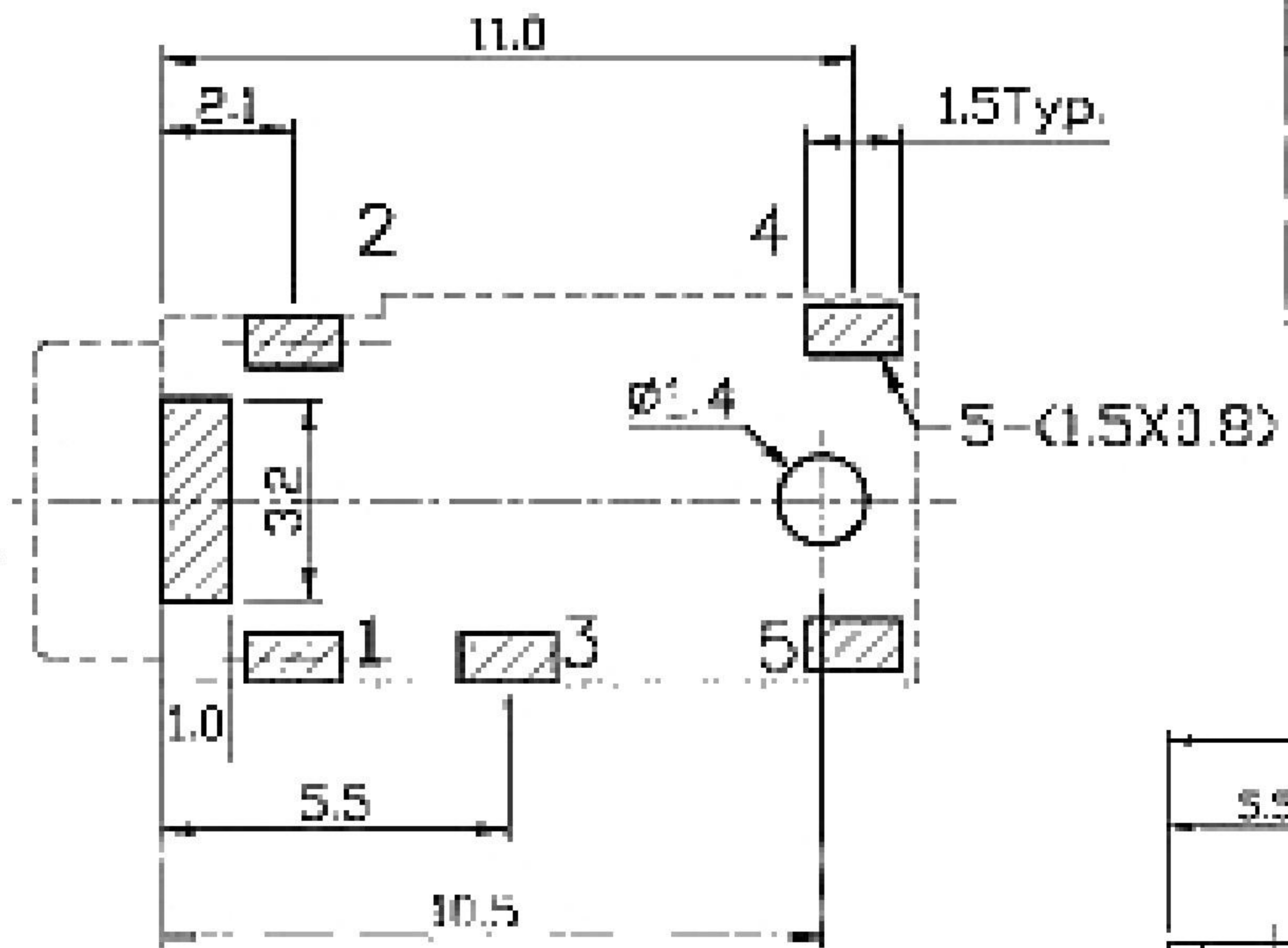
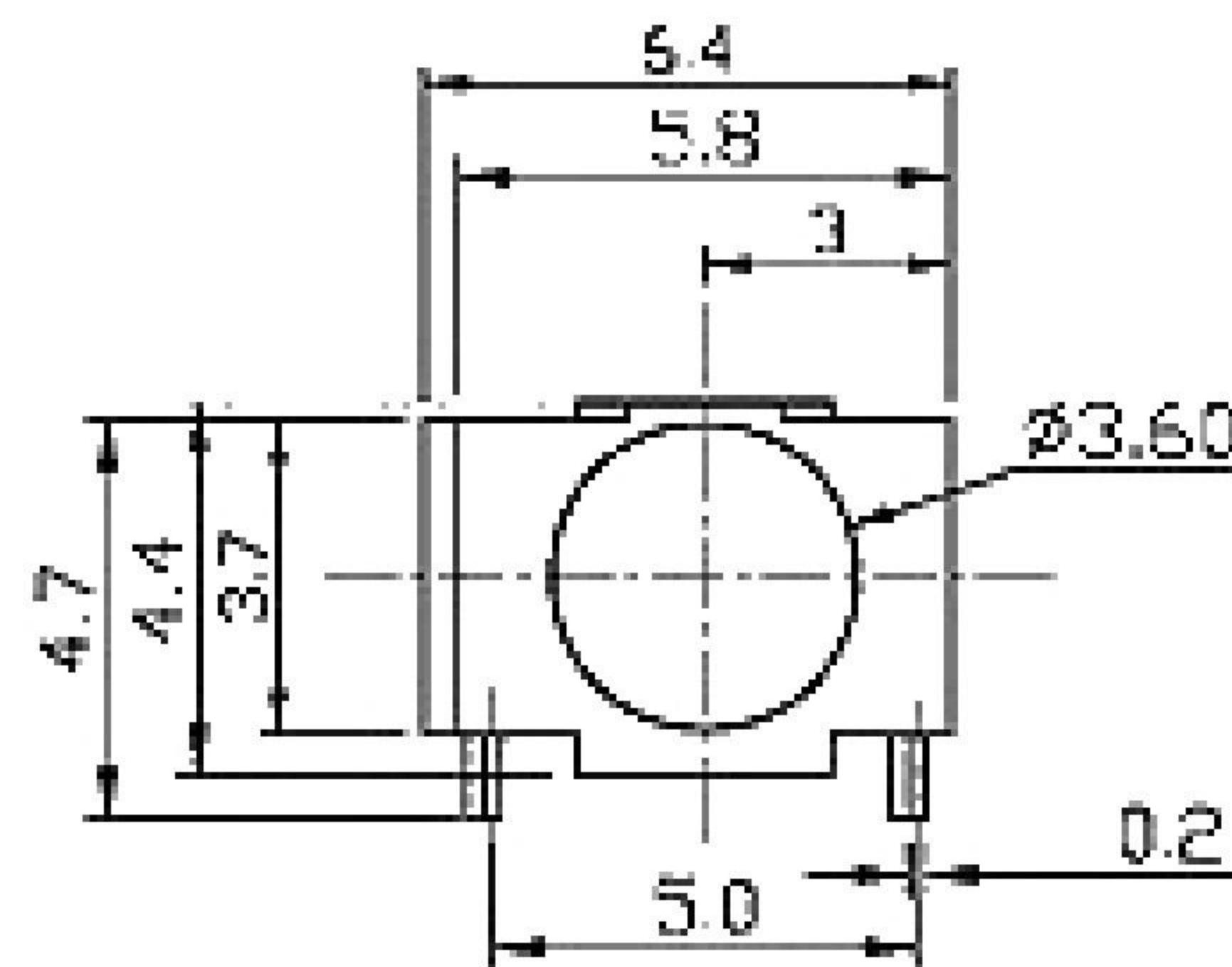
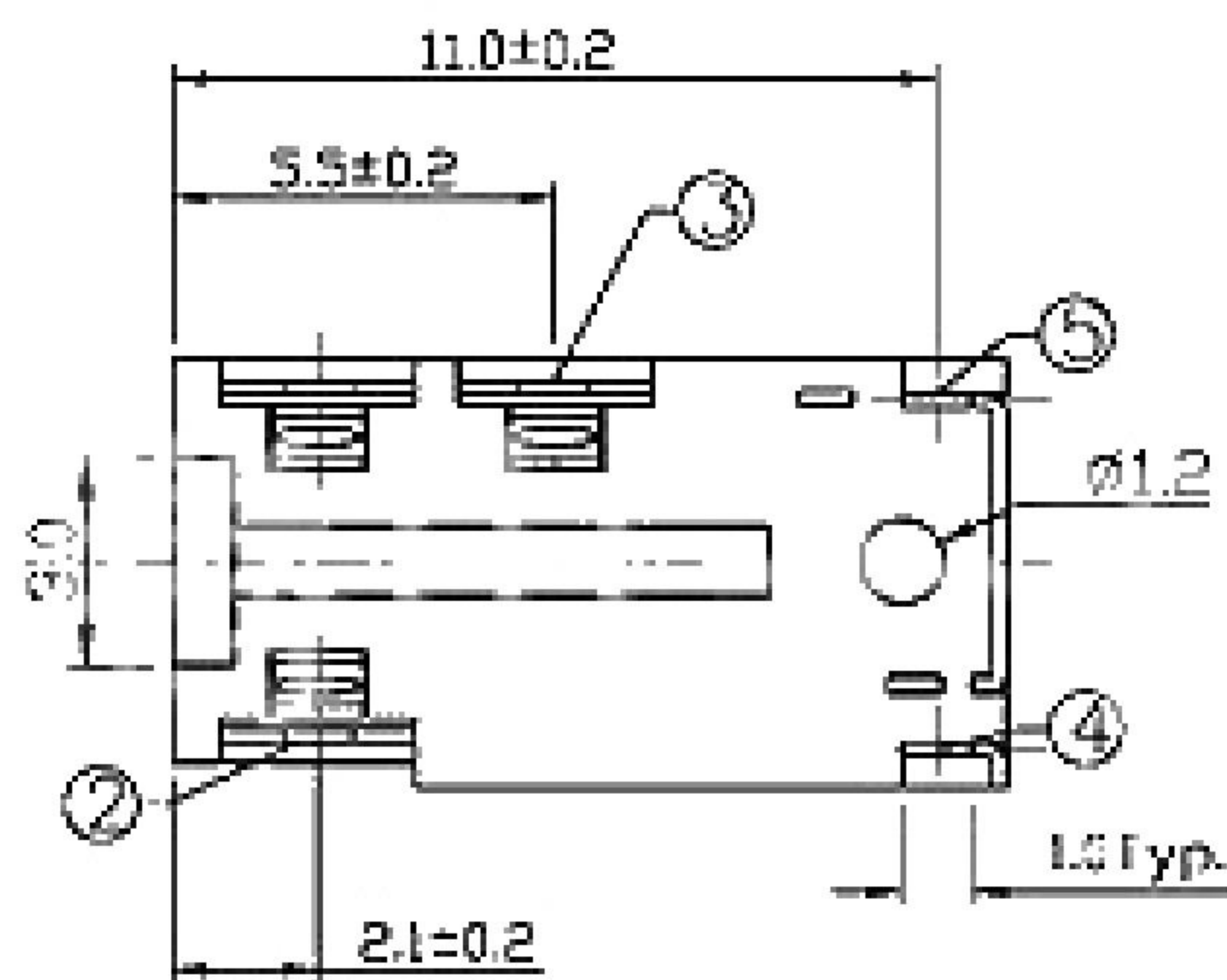
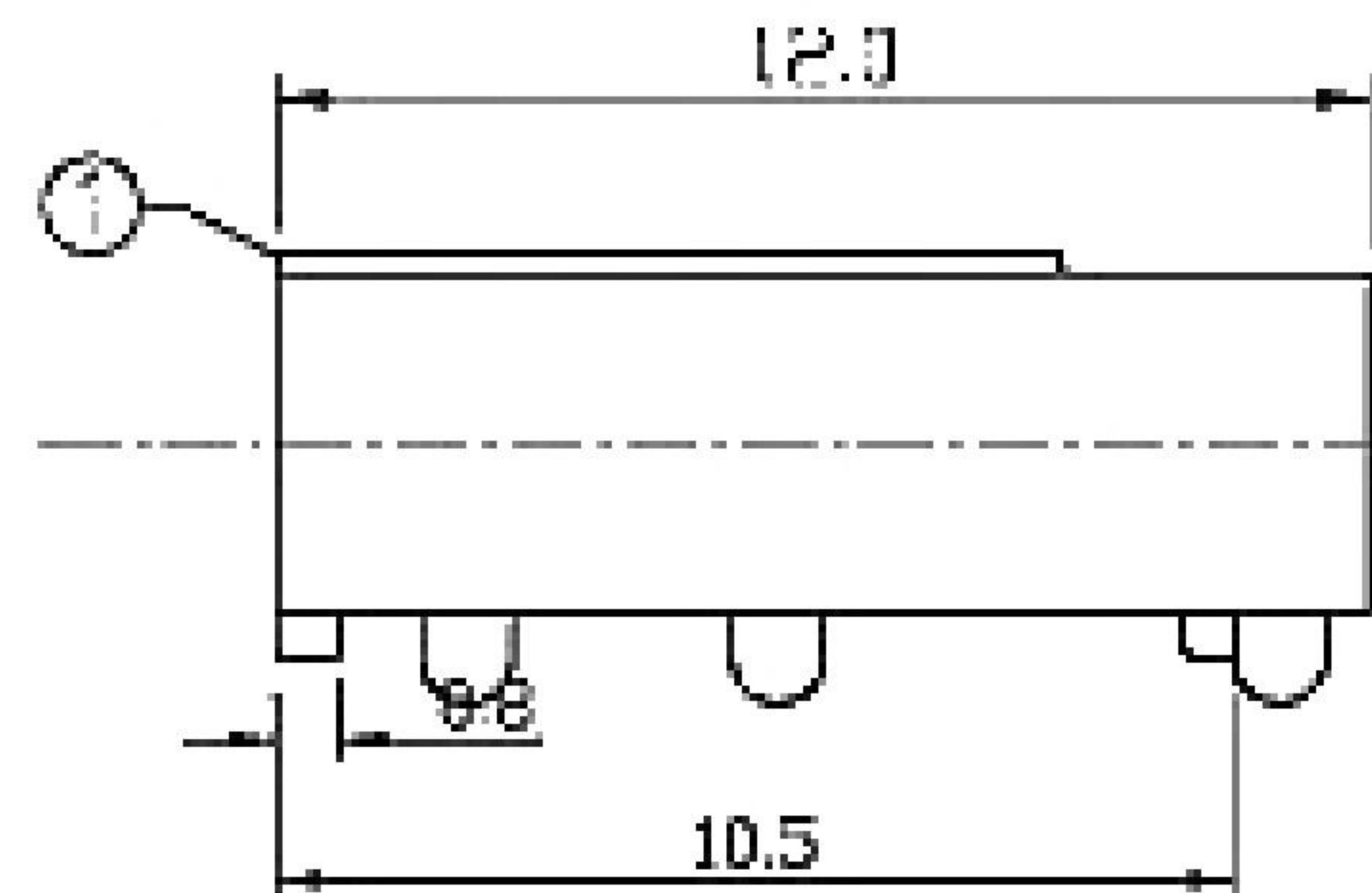
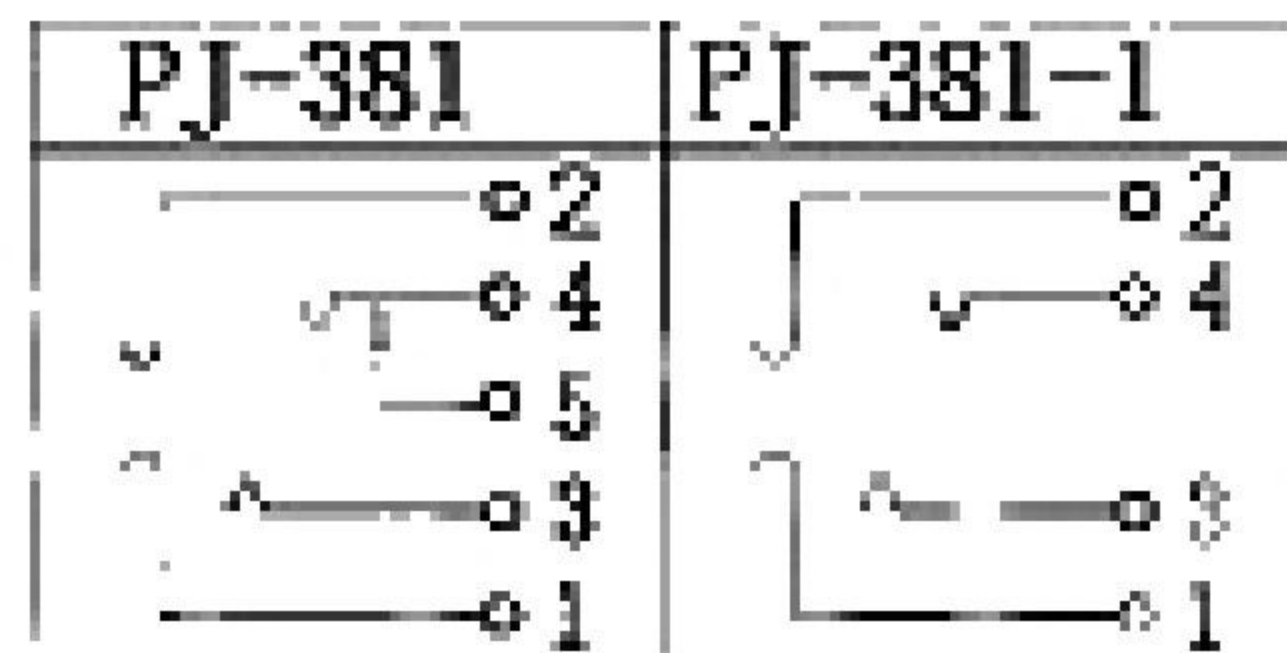


P.C.B LAYOUT
TOP VIEW



按点示意图
SCHEMATIC



MARK	DESCRIPTION	DATE	REVISED	APPROVED	UNSPECIFIED TOLERANCES	DSND	DATE	SCALE: N/A	MODEL TYPE: 3.5 PHONE JACK
△X					ANGULAR ±5°	DWN	DATE	VIEW:	PART NO.:
△X					X.X ±0.2mm	CHKD	DATE	UNIT: mm	DWG NO.:
△X					X.XX ±0.1mm	APPD	DATE	SIZE: A4	
△X					X.XXX ±0.05mm				
	REVISIONS					廣東科斯達電子科技有限公司			WEIGHT 1.0g
									SHEET 1/1
									REVISION A0