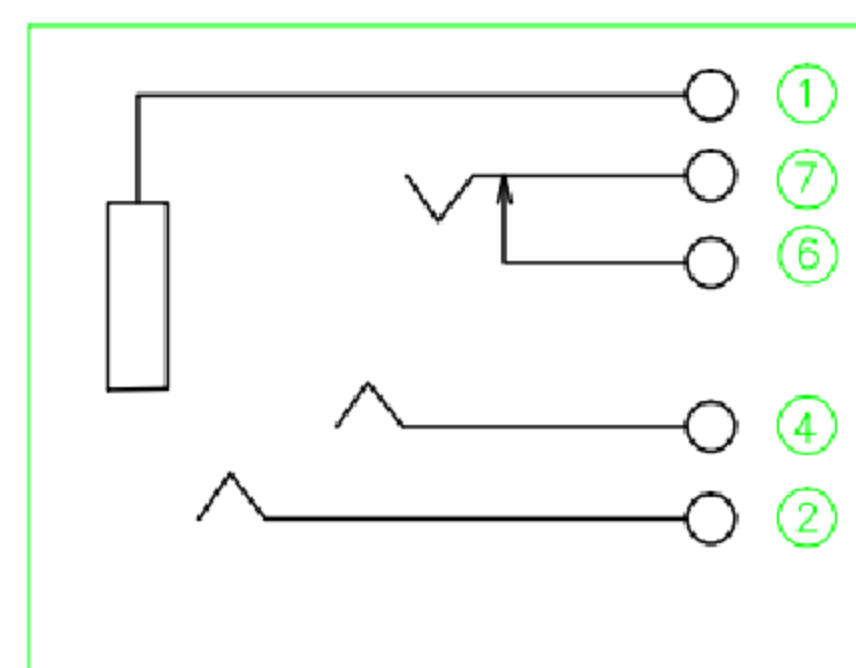
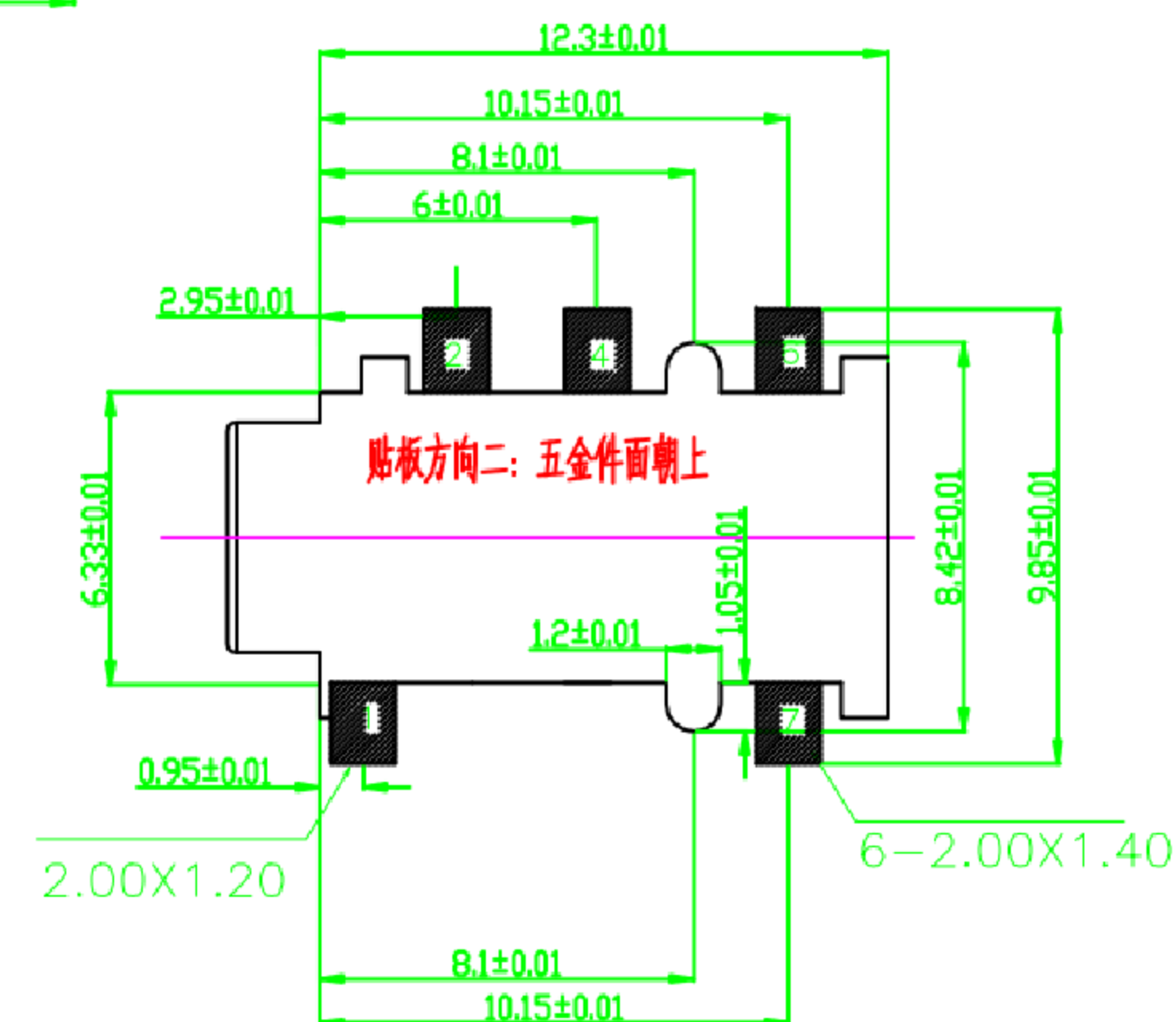


P.C.B. LAYOUT  
TOP VIEW



SCHEMATIC

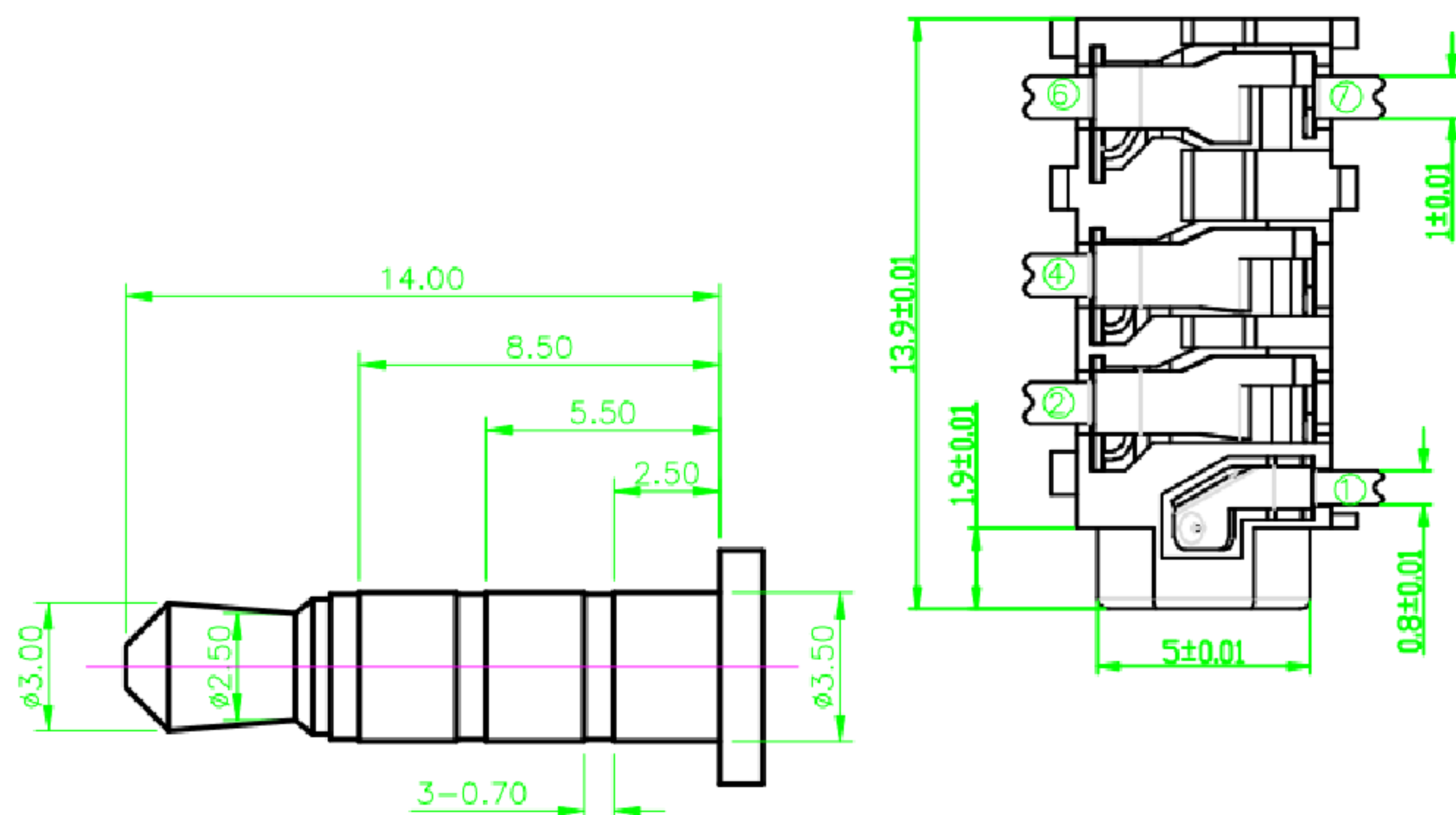


P.C.B. LAYOUT  
TOP VIEW

NOTES:

- CONTACT CURRENT RATING: 1A.
- CONTACT RESISTANCE: 50 mΩ MAX.;
- INSULATION RESISTANCE: 1000Ω MIN.;
- DIELECTRIC WITHSTANDING: 500V AC MIN.;
- DURABILITY: 5,000 CYCLES MIN.;
- CONNECTOR MATING FORCES: 29.4N (3.00Kgf) MAX.;
- CONNECTOR UNMATING FORCES: 2.94N(0.30Kgf) MIN.;
- PRODUCT MEET THE REQUEST OF THE RoHS, SEE TABLE A

MATTER	RoHS ( PPM )
Cd	≤ 100
Pb	≤ 1000
Hg	≤ 1000
Cr6+	≤ 1000
PBB	≤ 1000
PBDE	≤ 1000



(ø3.50mm 4 POLE PLUG DETAIL DRAWING)

MARK	DESCRIPTION	DATE	REVISED	APPROVED	UNSPECIFIED TOLERANCES	DSND	DATE	SCALE: N/A	MODEL TYPE: 3.5 PHONE JACK		
ΔX						DWN	DATE	VIEW:	PART NO.:		
ΔX						CHKD	DATE	UNIT: mm	DWG NO.:		
ΔX						APPD	DATE	SIZE: A4			
REVISIONS						廣東科斯達電子科技有限公司			WEIGHT 1.0g	SHEET 1/1	REVISION A0