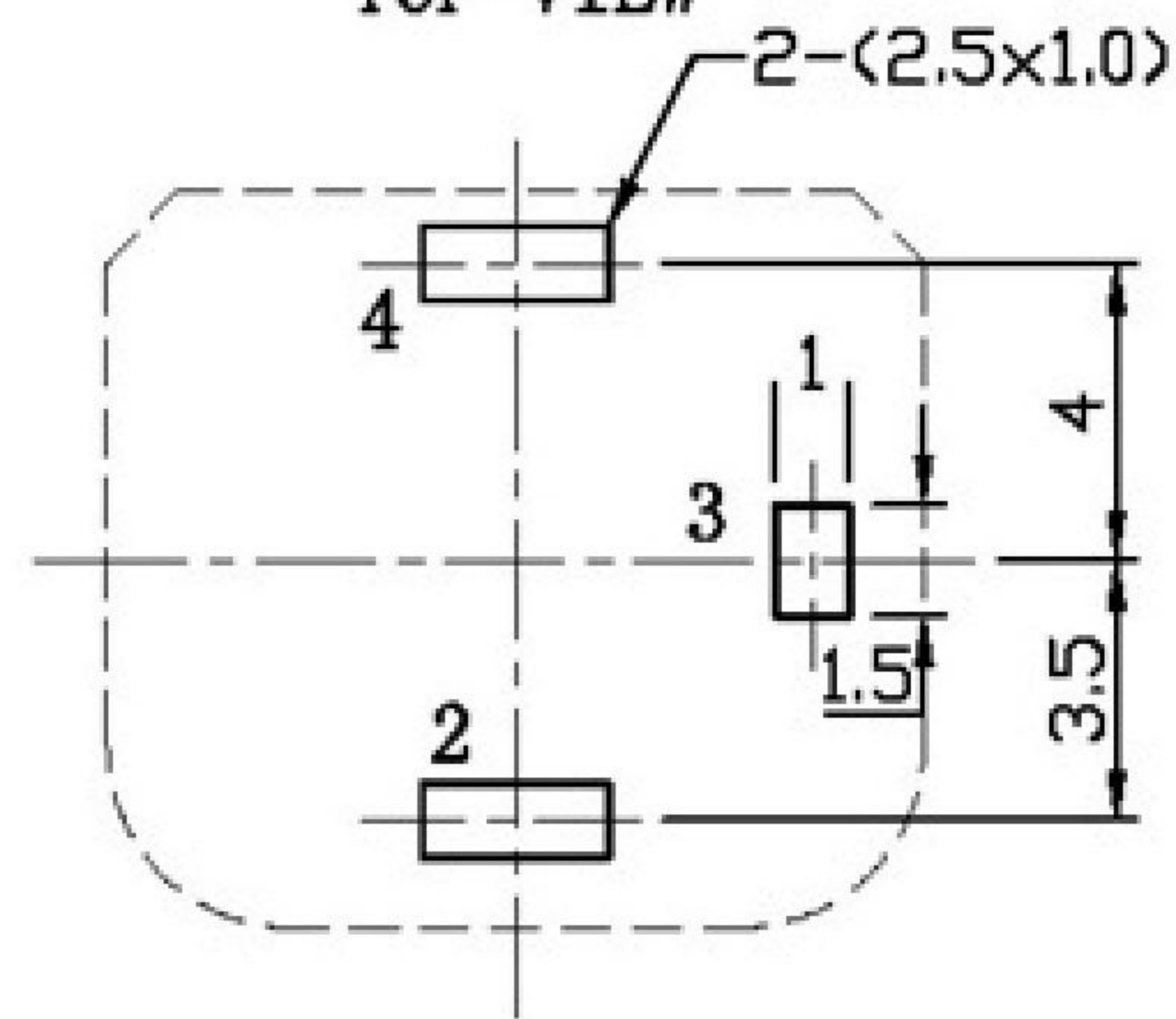
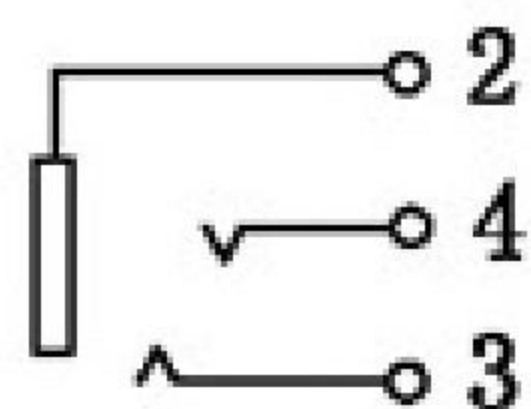


**P. C. B LAYOUT
TOP VIEW**

SCHEMATIC



| | | | | | | | | | | | | | | |
|-----------|-------------|------|---------|----------|------------------------|---------|---------------|--|------|--|------------|-------------------------------|-------|----------|
| | | | | | ANGLAR | ±5° | DSND | | DATE | | SCALE: N/A | MODEL TYPE: 3.5 PHONE JACK | | |
| ΔX | | | | | X.X | ±0.2mm | DWN | | DATE | | VIEW: | PART NO.: | | |
| ΔX | | | | | X.XX | ±0.1mm | CHKD | | DATE | | UNIT: mm | DWG NO.: | | |
| ΔX | | | | | X.XXX | ±0.05mm | APPD | | DATE | | SIZE: A4 | | | |
| MARK | DESCRIPTION | DATE | REVISED | APPROVED | UNSPECIFIED TOLERANCES | | 廣東科斯達電子科技有限公司 | | | | | WEIGHT | SHEET | REVISION |
| REVISIONS | | | | | | | | | | | | 1.0g | 1/1 | A0 |