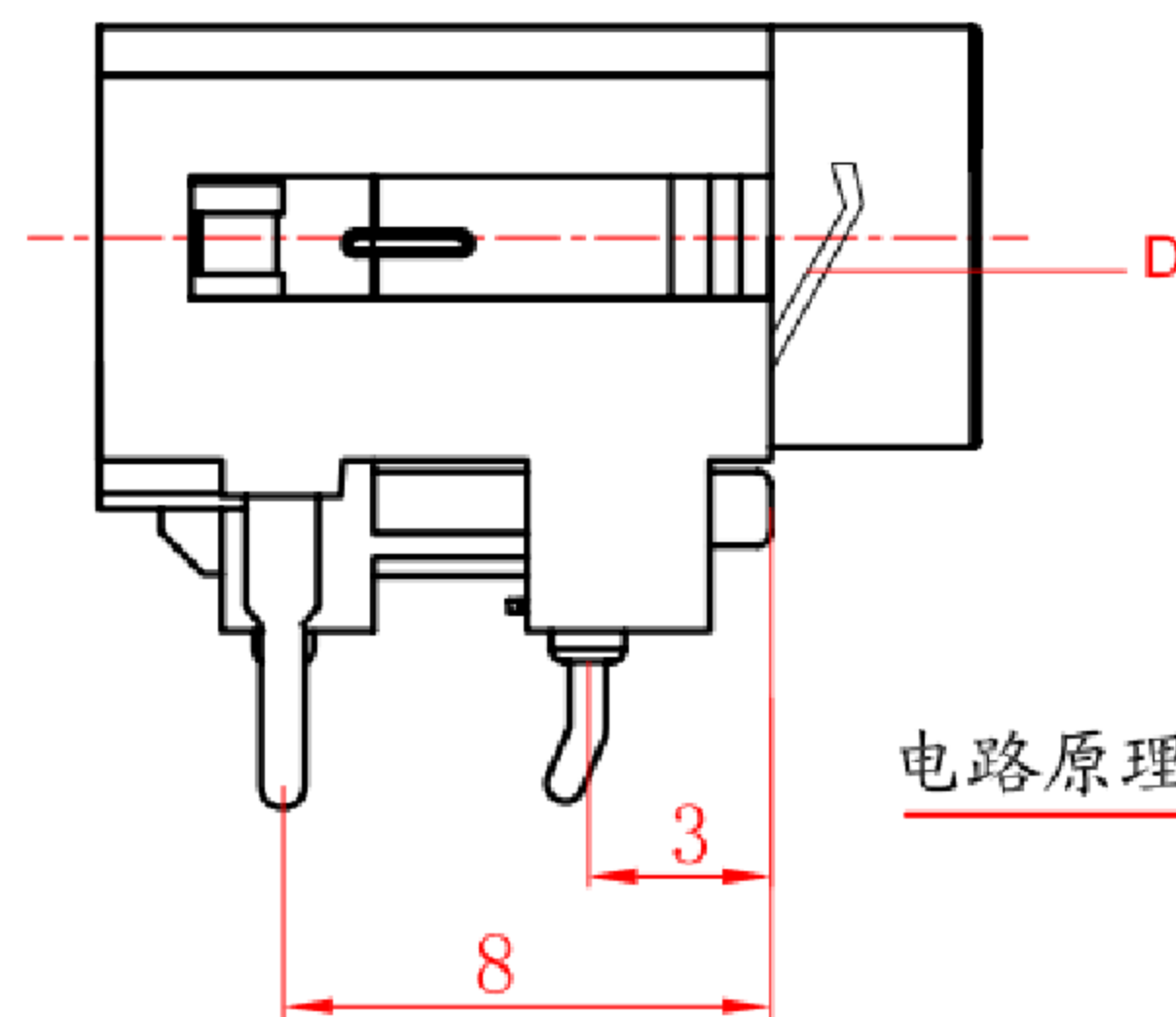
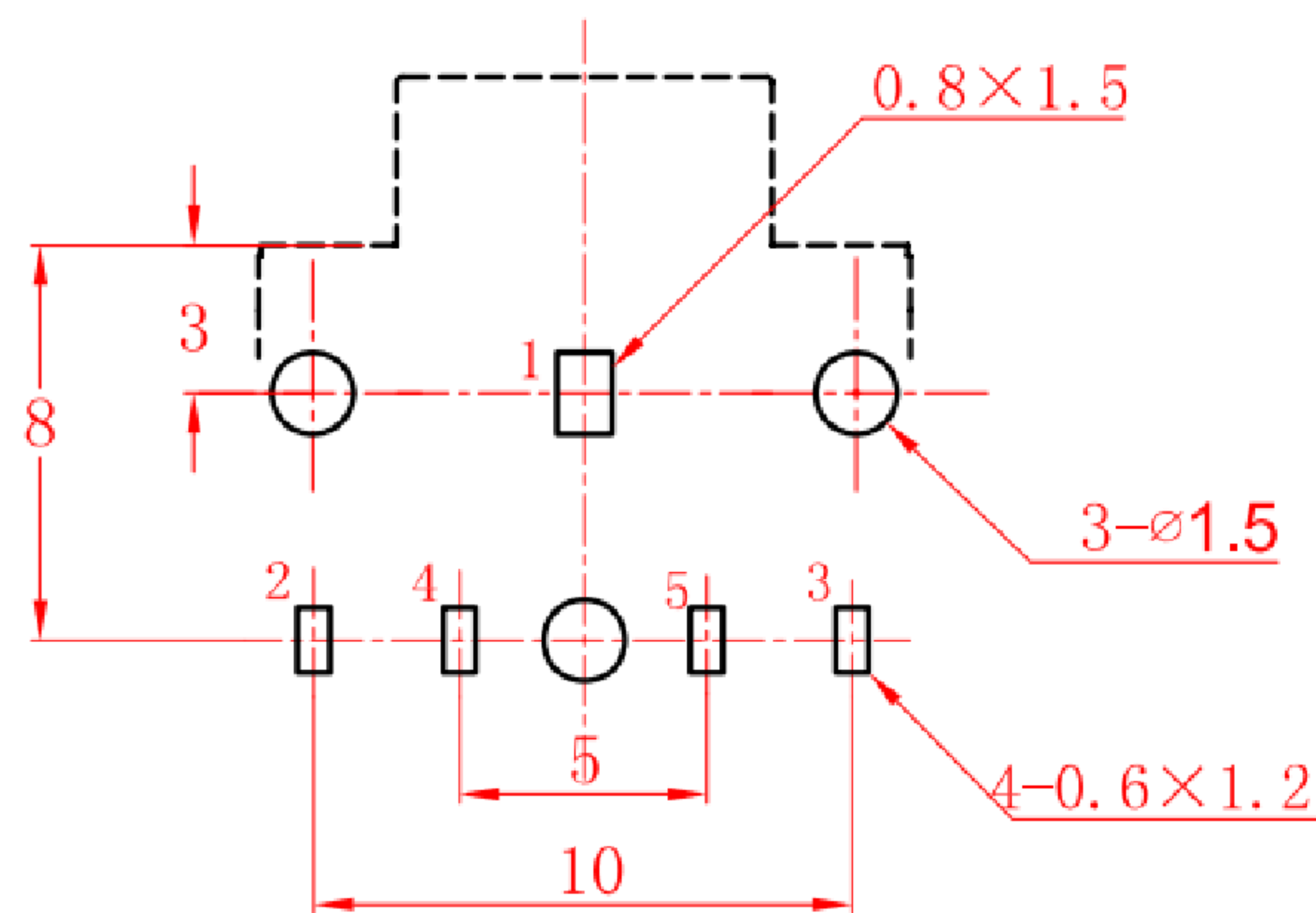
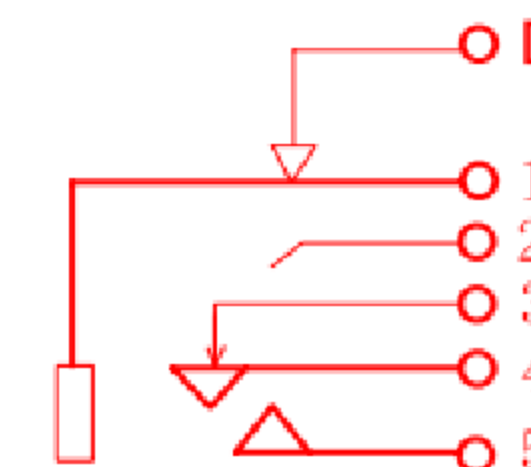


PCB板开孔尺寸



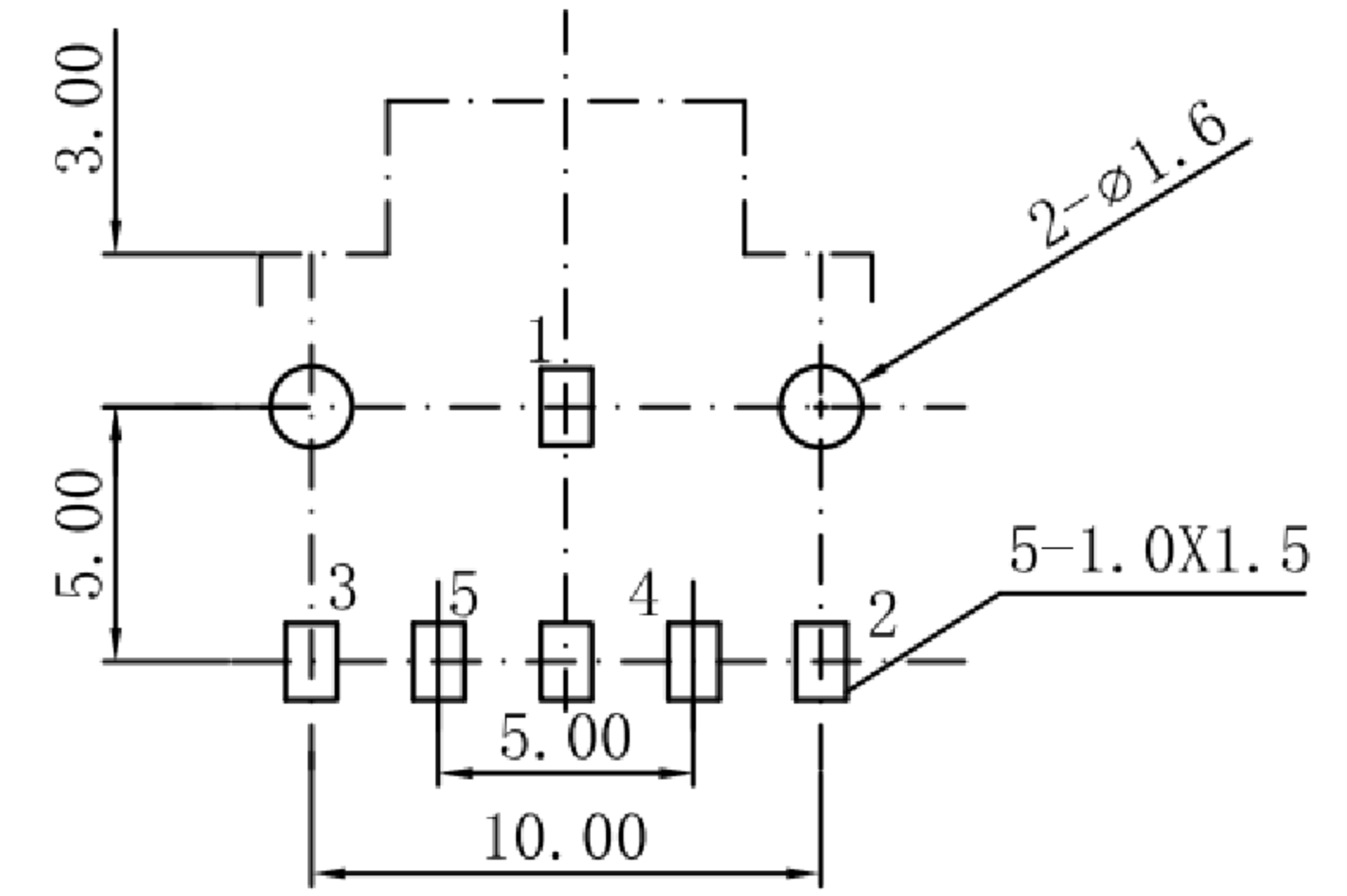
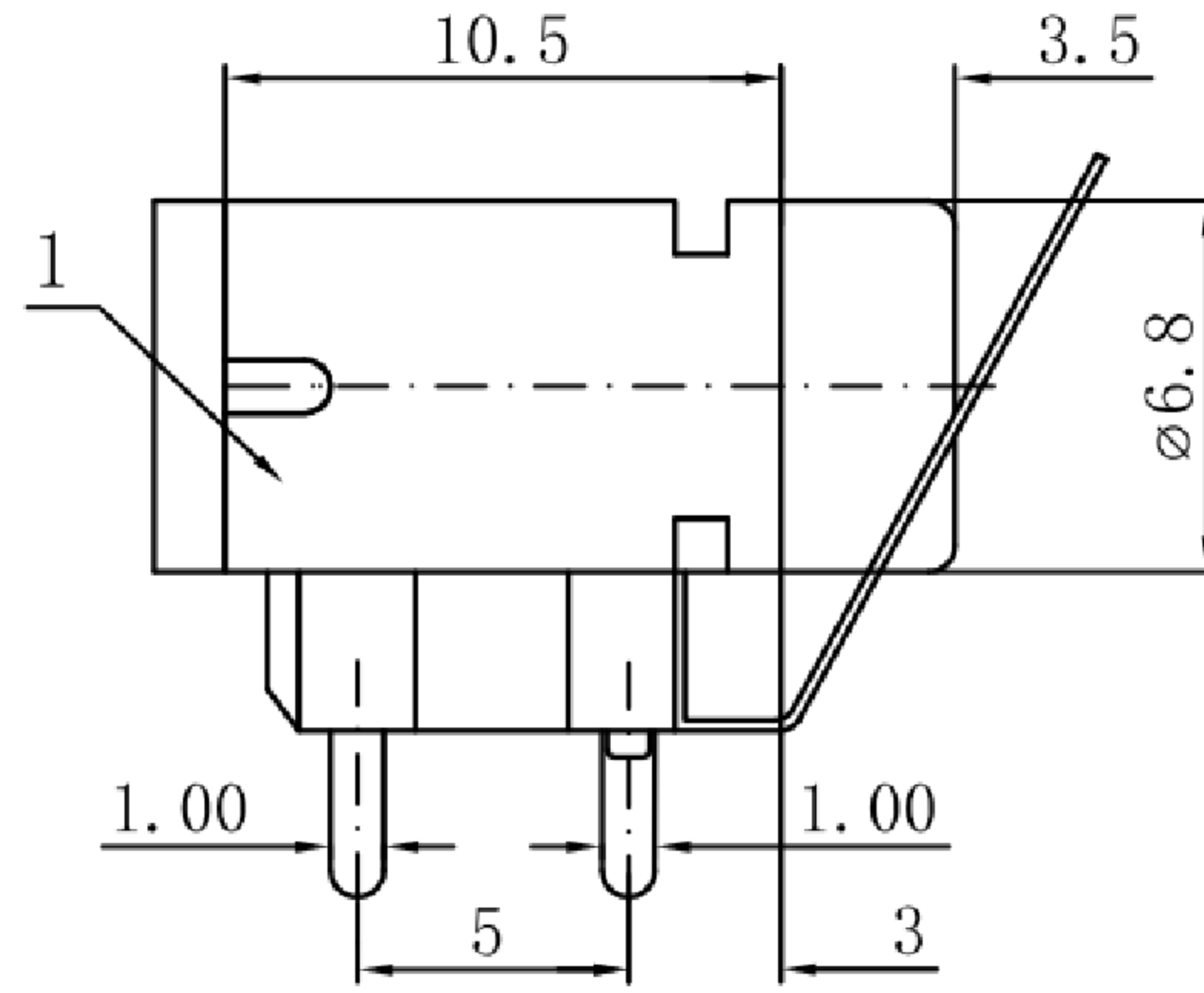
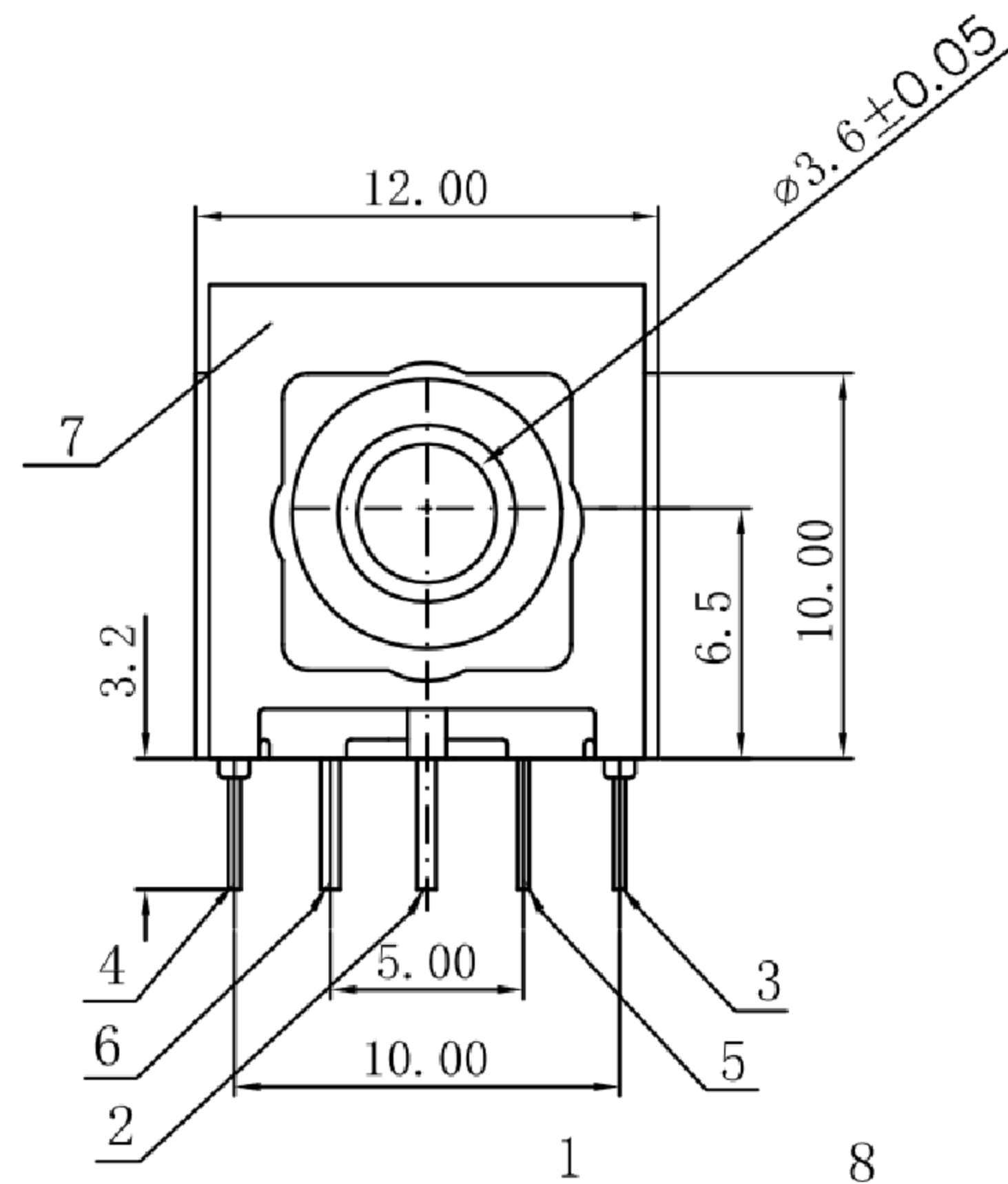
电路原理图



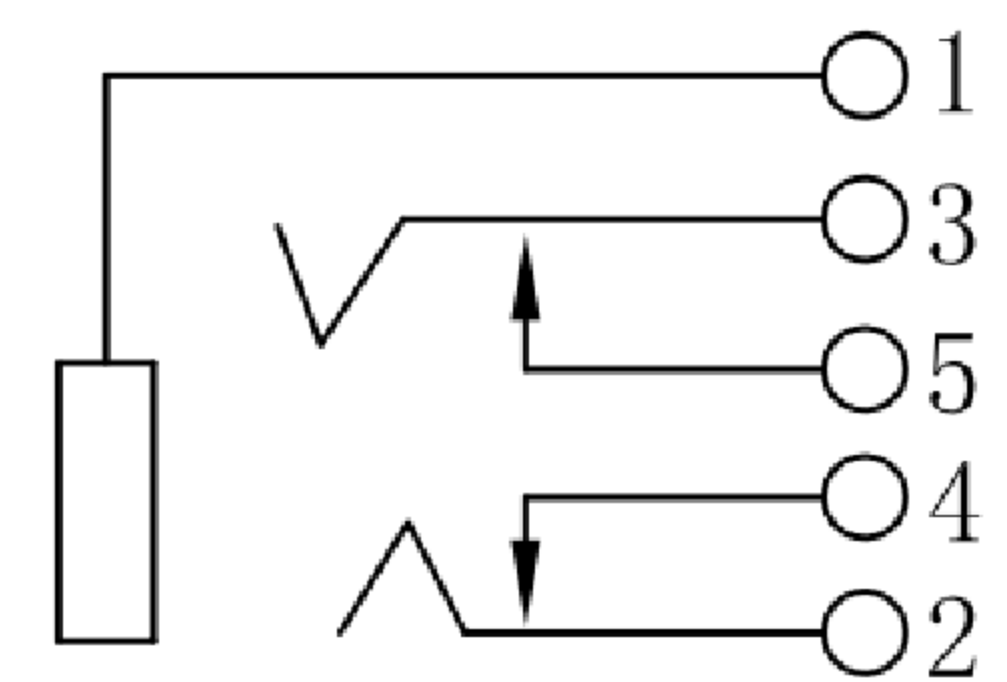
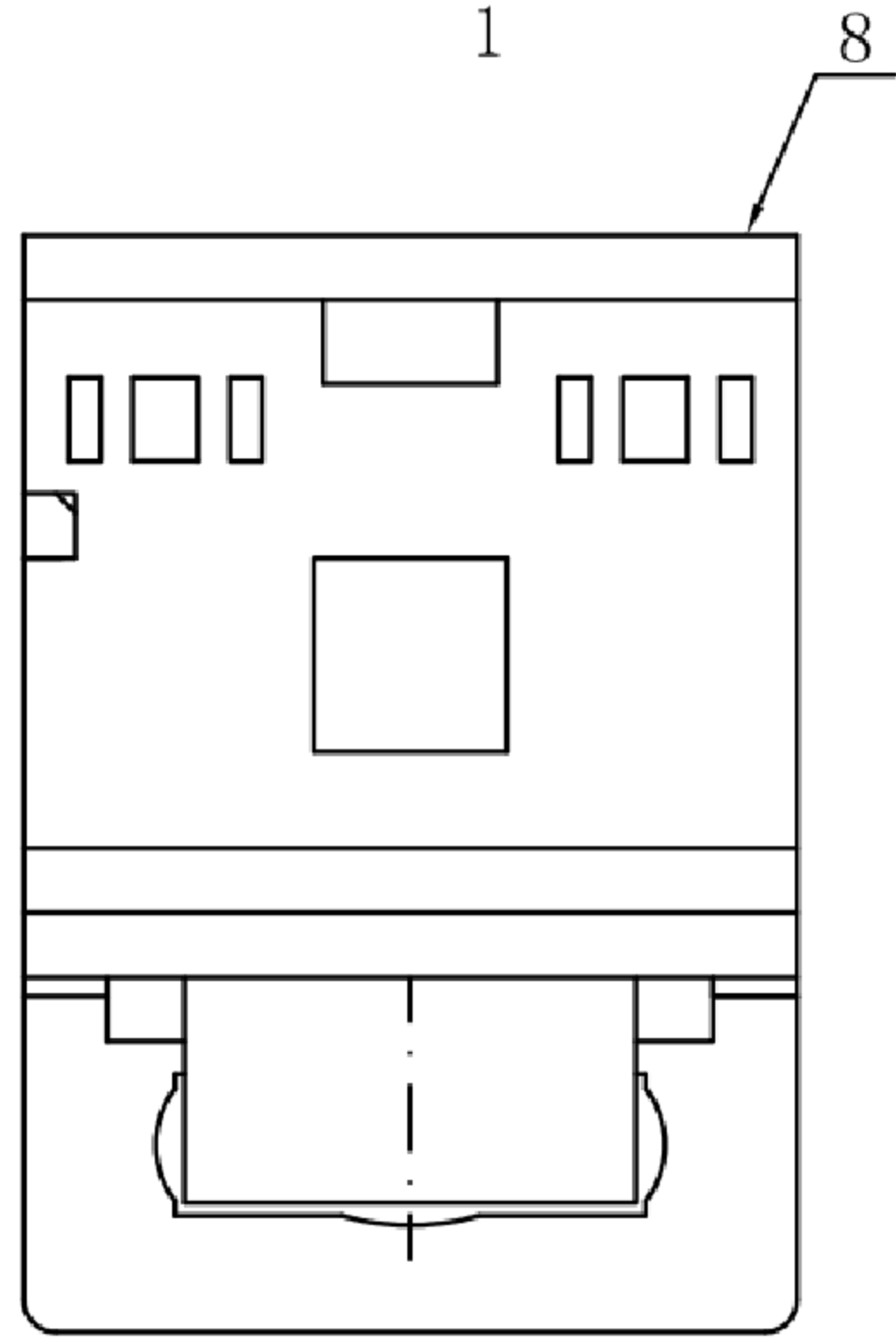
主要技术性能

1. 额定电负荷: 30V·0.5A;
2. 接触电阻: $\leq 0.03 \Omega$;
3. 绝缘电阻: $\geq 100M \Omega$;
4. 耐压: AC500V (50Hz)/min;
5. 插拔力: 3~20N;
6. 寿命: 5,000次。

					ANGLAR	$\pm 5^\circ$	DSND		DATE		SCALE: N/A	MODEL TYPE: 3.5 PHONE JACK		
					X.X	$\pm 0.2mm$	DWN		DATE		VIEW:	PART NO.:		
					X.XX	$\pm 0.1mm$	CHKD		DATE		UNIT: mm	DWG NO.:		
					X.XXX	$\pm 0.05mm$	APPD		DATE		SIZE: A4			
MARK	DESCRIPTION	DATE	REVISED	APPROVED	UNSPECIFIED TOLERANCES			廣東科斯達電子科技有限公司				WEIGHT	SHEET	REVISION
REVISIONS												1.0g	1/1	A0



RECOMMENDED P. C. B. LAYOUT
 UNSPECIFIED TOLERANCE: ± 0.05



Circuit Diagram

					ANGLAR	$\pm 5^\circ$	DSND		DATE		SCALE: N/A	MODEL TYPE: 3.5 PHONE JACK		
ΔX					X.X	$\pm 0.2\text{mm}$	DWN		DATE		VIEW:	PART NO.:		
ΔX					X.XX	$\pm 0.1\text{mm}$	CHKD		DATE		UNIT: mm	DWG NO.:		
ΔX					X.XXX	$\pm 0.05\text{mm}$	APPD		DATE		SIZE: A4			
MARK	DESCRIPTION	DATE	REVISED	APPROVED	UNSPECIFIED TOLERANCES		廣東科斯達電子科技有限公司					WEIGHT	SHEET	REVISION
REVISIONS												1.0g	1/1	A0