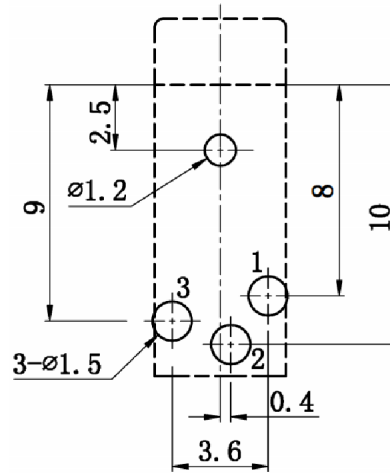
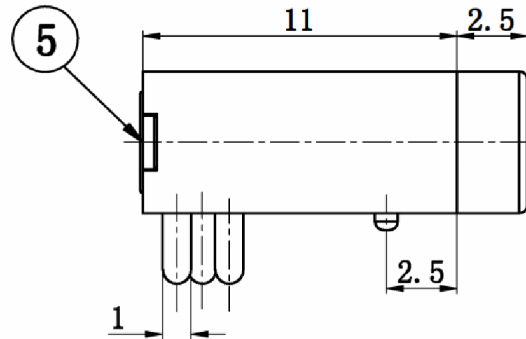
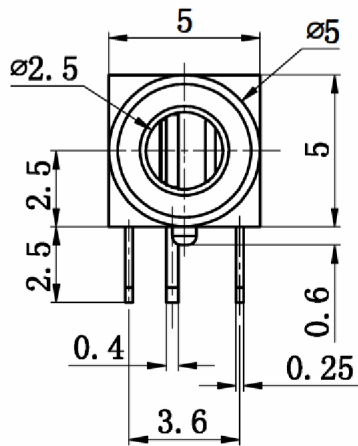
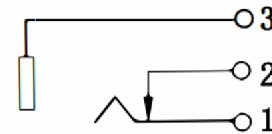


线路板开孔尺寸
TOP VIEW



电路原理图



技术特性:

- 使用条件: $-30\sim 70^{\circ}$
- 额定负荷: DC30V 0.5A
- 接触电阻: $\leq 0.03\ \Omega$
- 绝缘电阻: $\geq 100M\ \Omega$ DC250V
- 耐压: AC500V (50Hz)/min
- 插拔力: 3~20N
- 寿命: 5000次

| | | | | | | | | | | | | | |
|------------|-------------|------|---------|----------|------------------------|-----------------|---------------|--|------|------------|-------------|-------|----------|
| | | | | | ANGULAR | $\pm 5^{\circ}$ | DSND | | DATE | SCALE: N/A | MODEL TYPE: | | |
| ΔX | | | | | X.X | $\pm 0.2mm$ | DWN | | DATE | VIEW: | PART NO.: | | |
| ΔX | | | | | X.XX | $\pm 0.1mm$ | CHKD | | DATE | UNIT: mm | DWG NO.: | | |
| ΔX | | | | | X.XXX | $\pm 0.05mm$ | APPD | | DATE | SIZE: A4 | | | |
| MARK | DESCRIPTION | DATE | REVISED | APPROVED | UNSPECIFIED TOLERANCES | | 廣東科斯達電子科技有限公司 | | | | WEIGHT | SHEET | REVISION |
| REVISIONS | | | | | | | | | | | 1.0g | 1/1 | A0 |