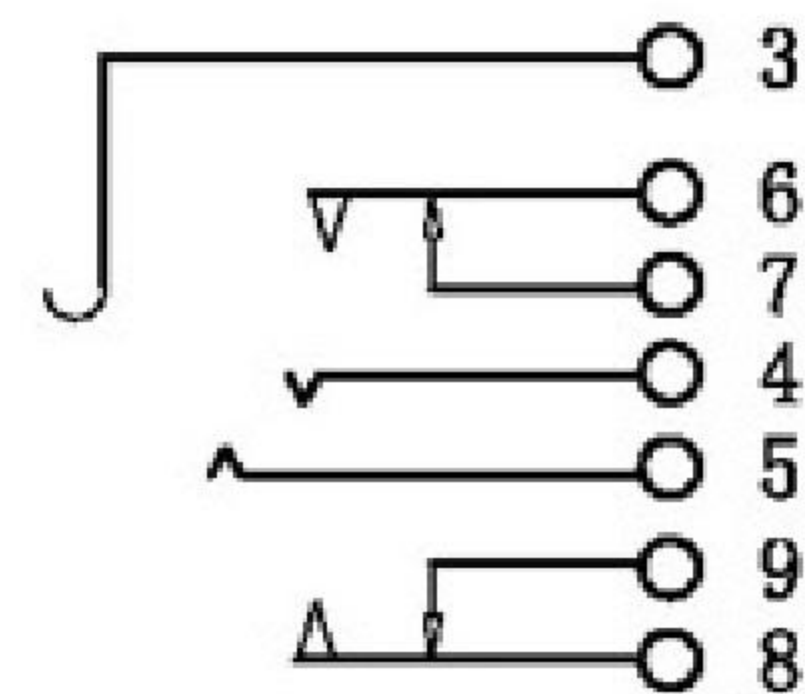


SCHEMATIC



					ANGLAR	±5°	DSND		DATE	SCALE: N/A	MODEL TYPE: 3.5 PHONE JACK			
△X					X.X	±0.2mm	DWN		DATE	VIEW:	PART NO.:			
△X					X.XX	±0.1mm	CHKD		DATE	UNIT: mm	DWG NO.:			
△X					X.XXX	±0.05mm	APPD		DATE	SIZE: A4				
MARK	DESCRIPTION	DATE	REVISED	APPROVED	UNSPECIFIED TOLERANCES			廣東科斯達電子科技有限公司				WEIGHT	SHEET	REVISION
REVISIONS												1.0g	1/1	A0