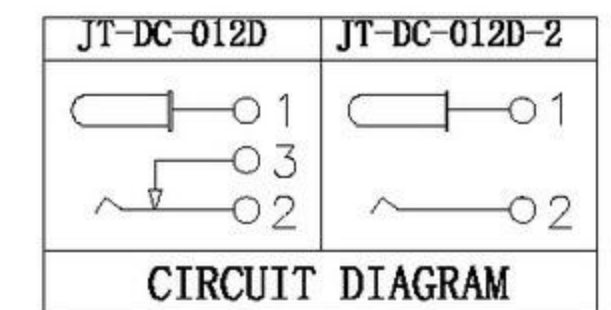
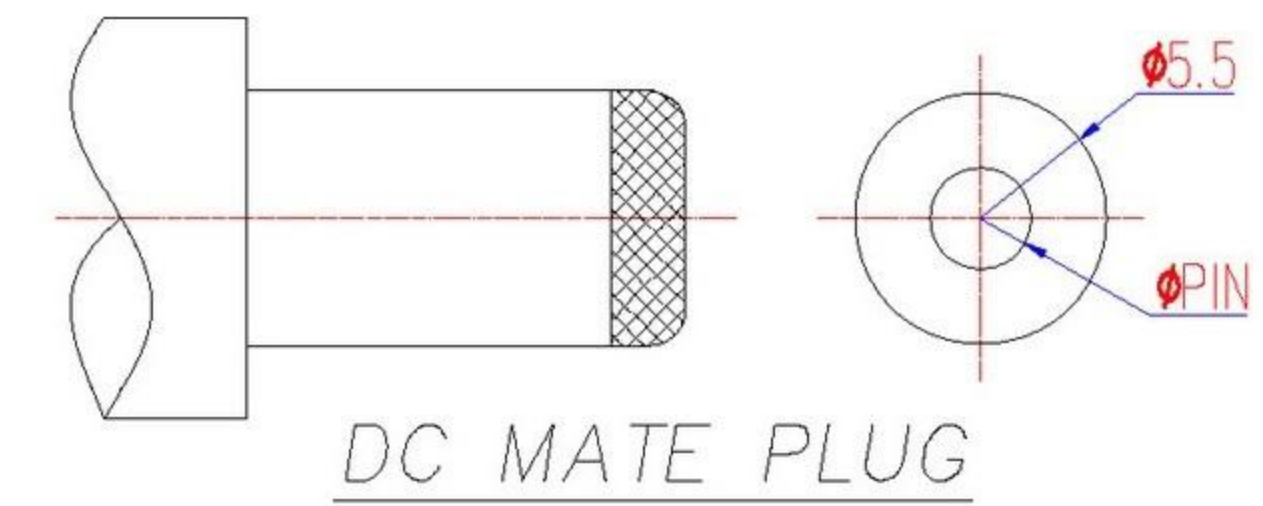
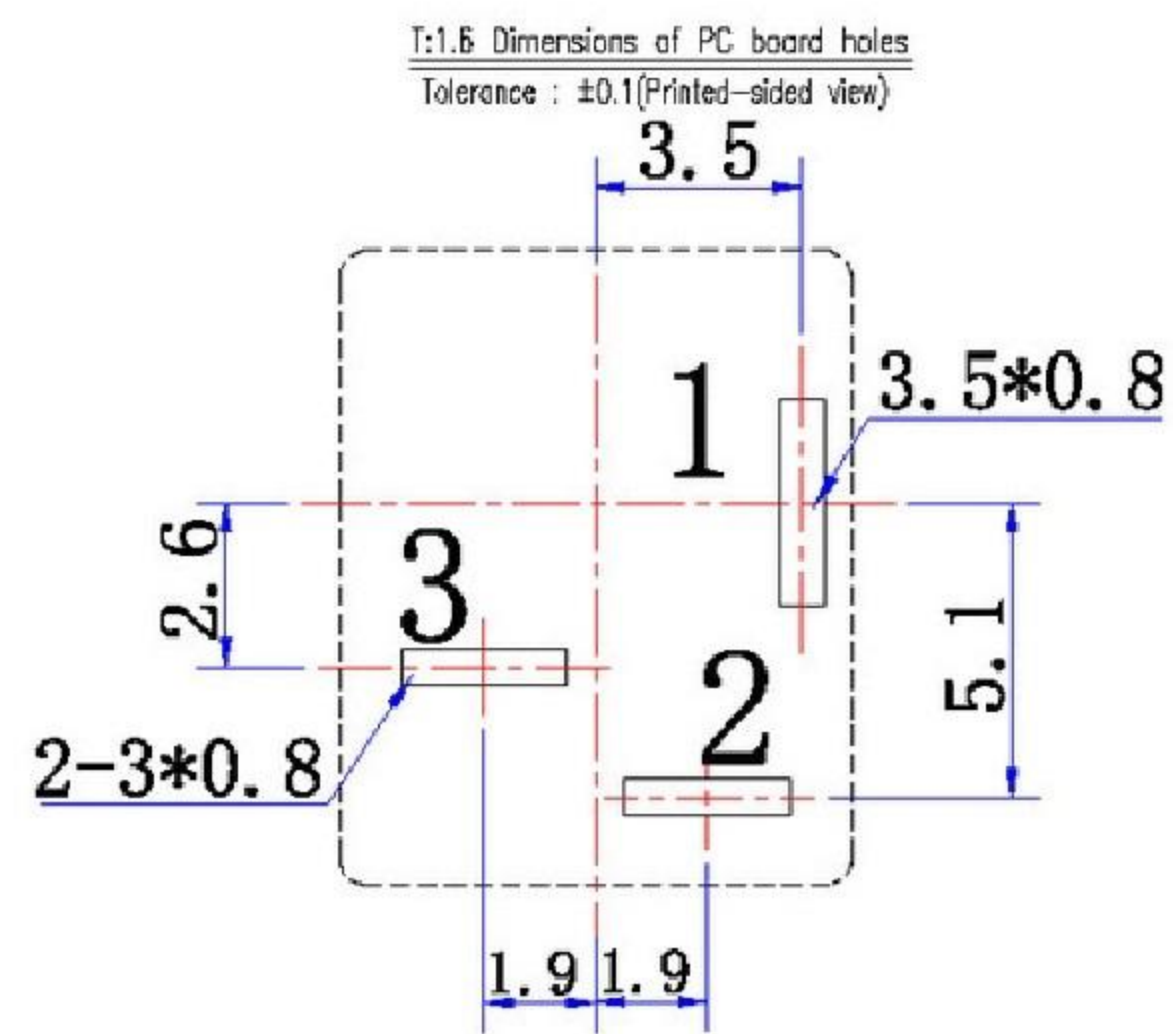
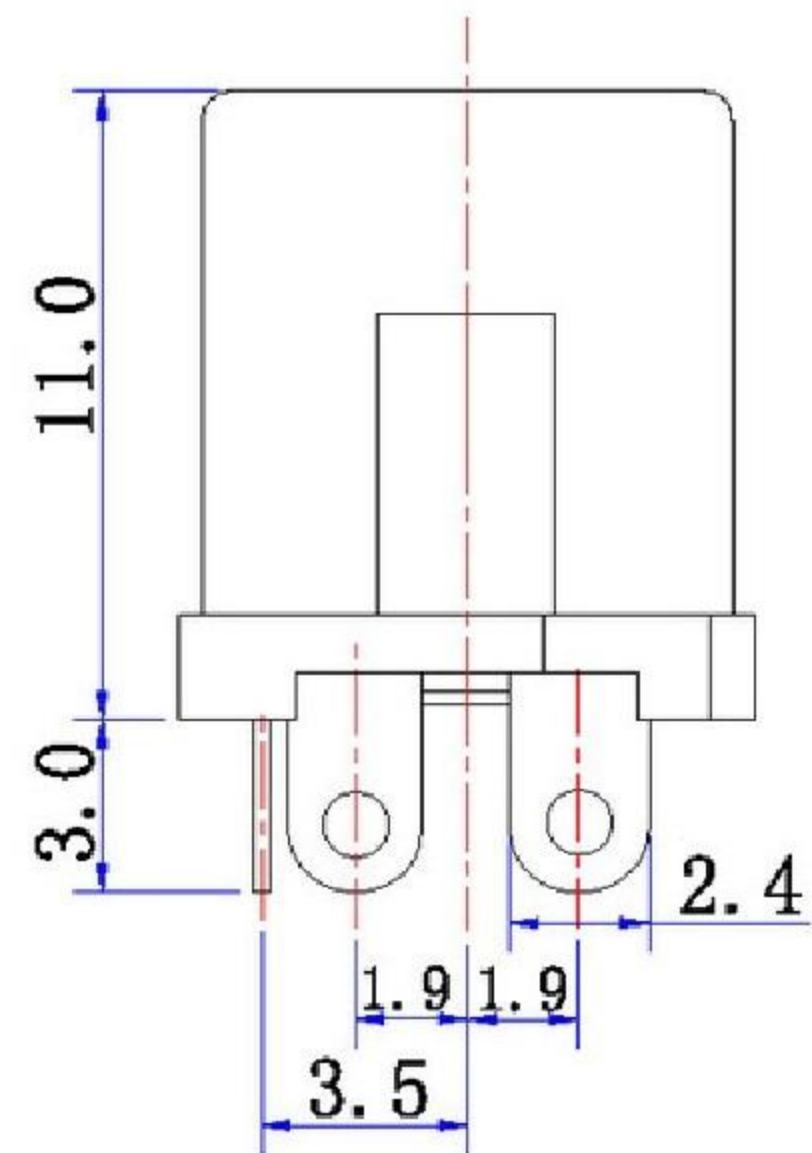


PIN	φ 1.65	φ 2.0	φ 2.35	φ 2.5
APPD				



	MATERIAL	PLATING
center pin	Brass	tin
terminal 1	Brass	tin
terminal 2	Sus	tin
terminal 3	Brass	tin
plastic	Pbt	

DSND		DATE		SCALE: N/A	MODEL TYPE: DC POWER JACK
ΔX		DATE		VIEW:	PART NO.:
ΔX		DATE		UNIT: mm	DWG NO.:
ΔX		DATE		SIZE: A4	
MARK	DESCRIPTION	DATE	REVISED	APPROVED	
REVISIONS				UNSPECIFIED TOLERANCES	
<b>廣東科斯達電子科技有限公司</b>					WEIGHT 1.0g
					SHEET 1/1
					REVISION A0