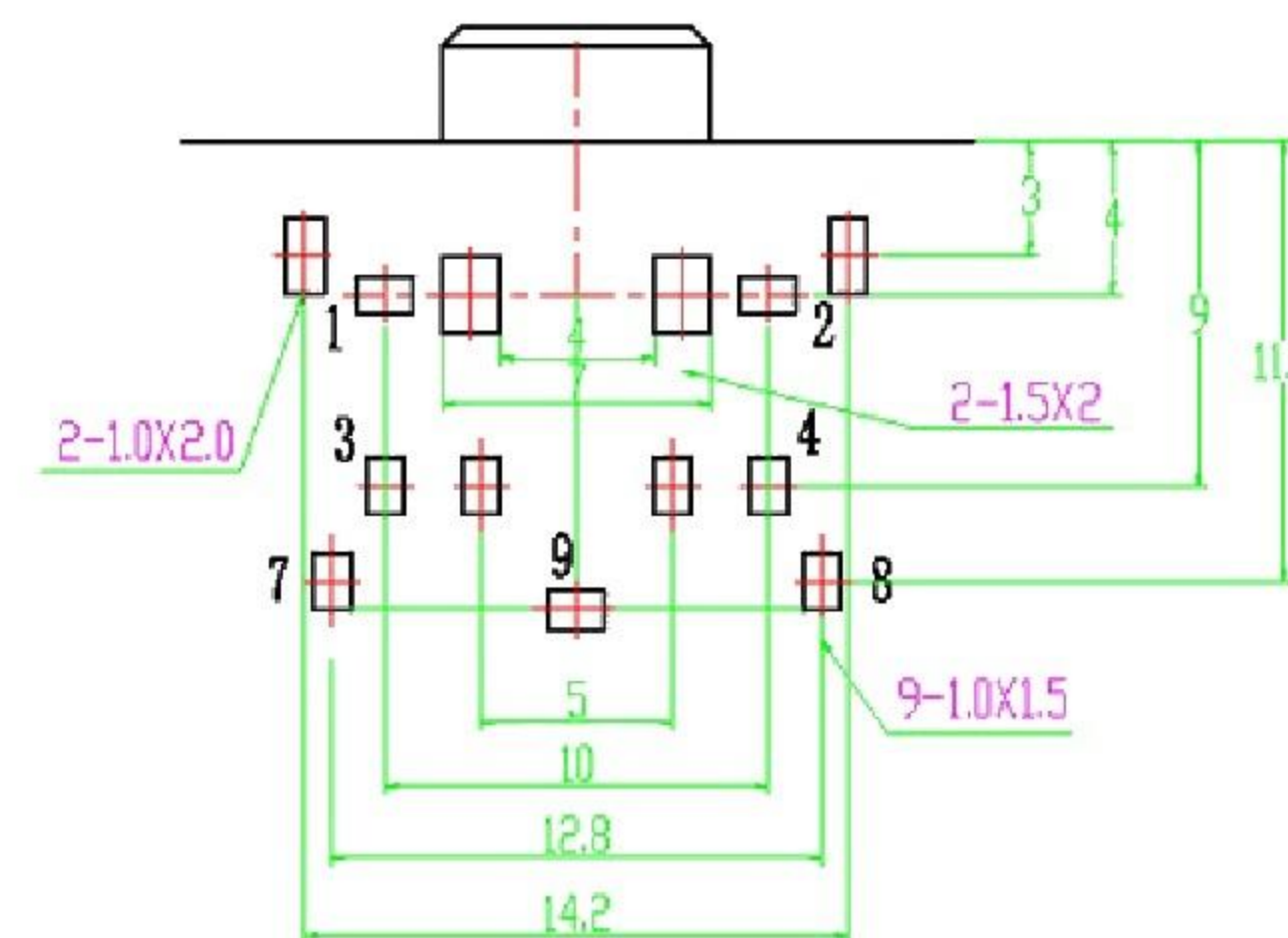


印制板开孔尺寸(±0.1)
显示为底面



					ANGLAR	±5°
△X					X.X	±0.2mm
△X					X.XX	±0.1mm
△X					X.XXX	±0.05mm
MARK	DESCRIPTION	DATE	REVISED	APPROVED		
	REVISIONS				UNSPECIFIED TOLERANCES	

DSND		DATE		SCALE: N/A	MODEL TYPE: 3.5 PHONE JACK		
DWN		DATE		VIEW:	PART NO.:		
CHKD		DATE		UNIT: mm	DWG NO.:		
APPD		DATE		SIZE: A4			
廣東科斯達電子科技有限公司					WEIGHT	SHEET	REVISION
					1.0g	1/1	A0