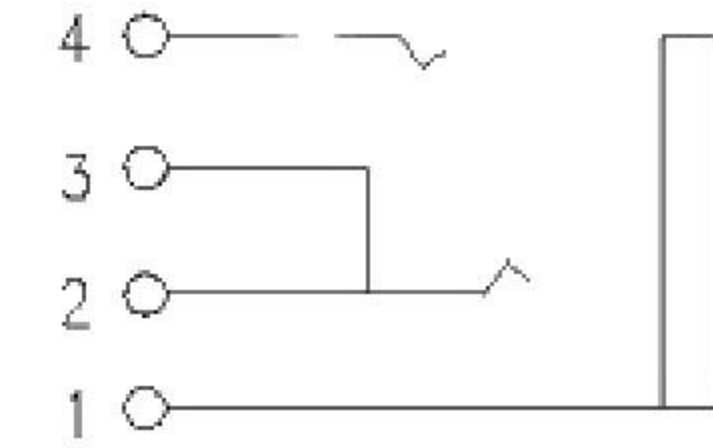
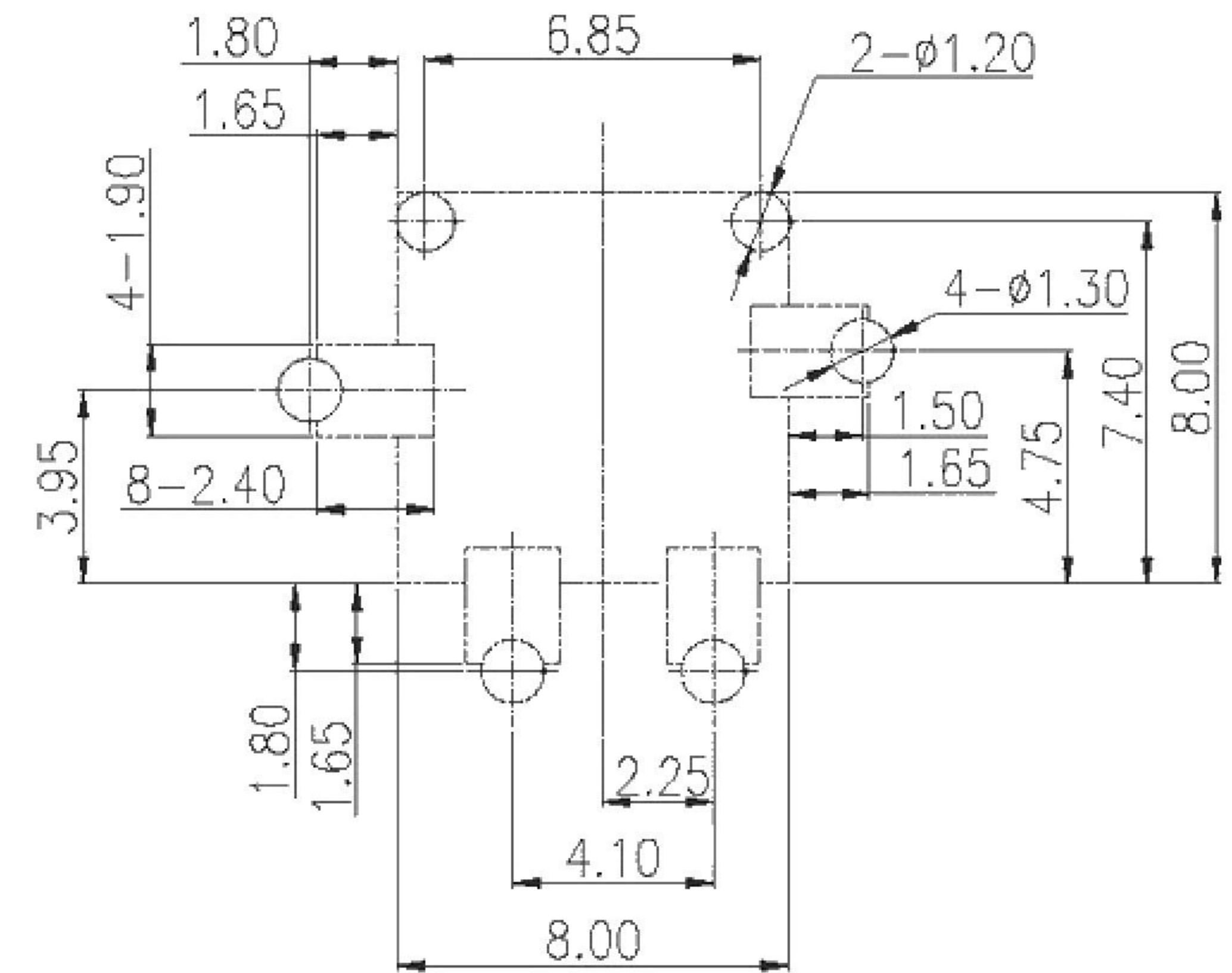
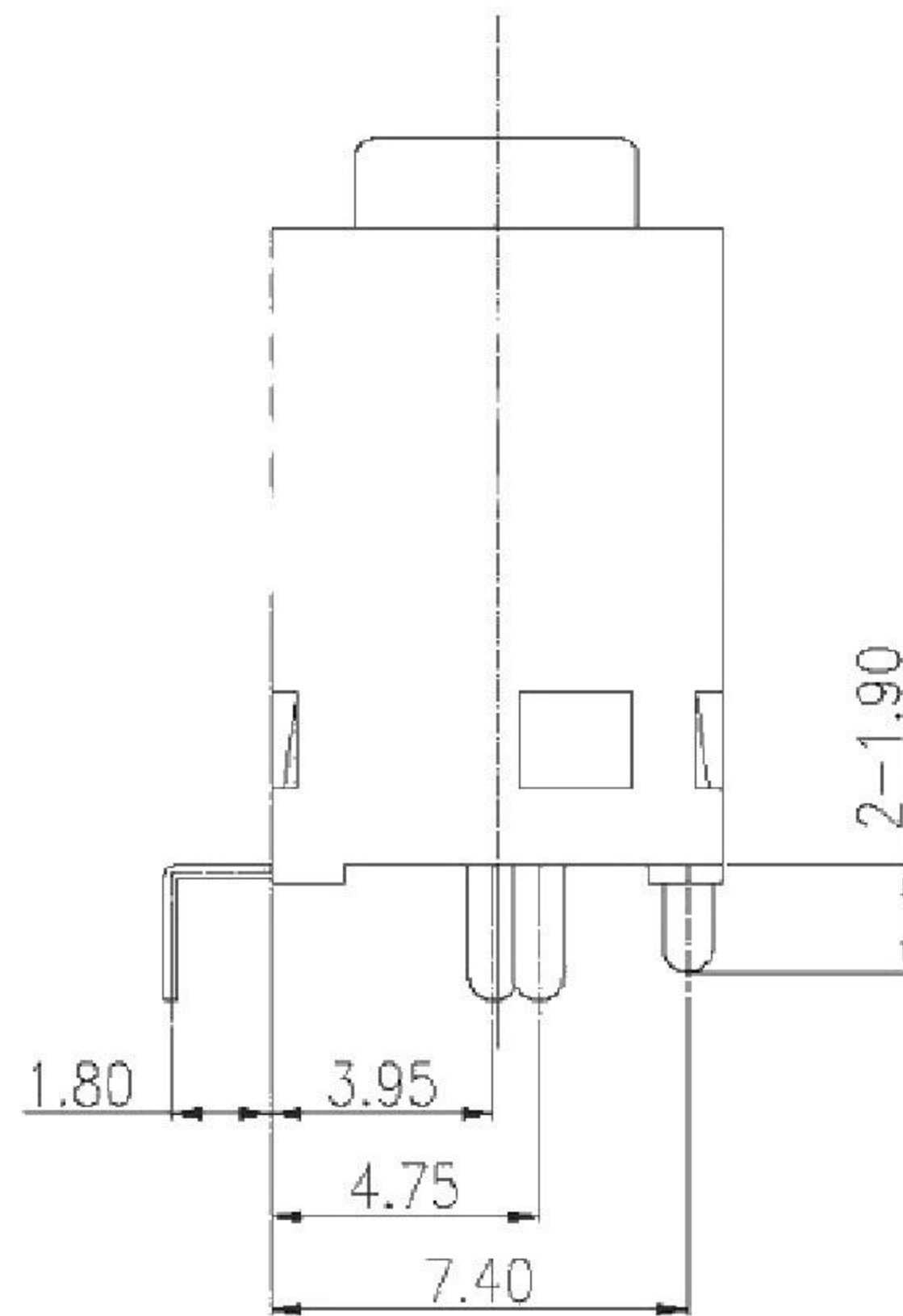
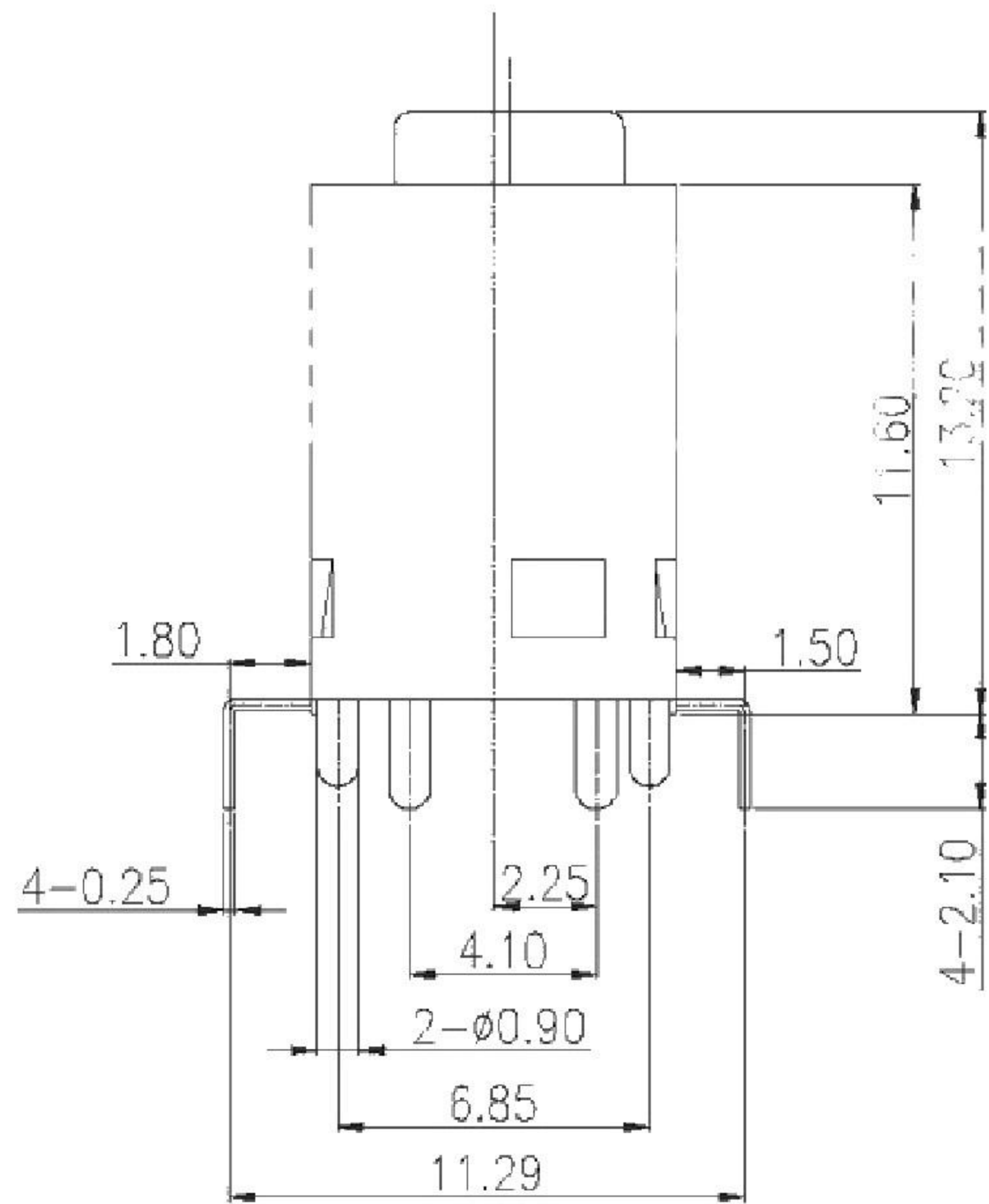


( $\phi 2.50\text{mm}$  3 POLE PLUG DETAIL DRAWING)



SCHEMATIC



RECOMMENDED PCB. LAYOUT(TOP VIEW)

DEFAULT TOLERANCE: 0.05

MARK	DESCRIPTION	DATE	REVISED	APPROVED	UNSPECIFIED TOLERANCES
△X					ANGULAR ±5°
△X					X.X ±0.2mm
△X					X.XX ±0.1mm
					X.XXX ±0.05mm
REVISIONS					

DSND	DATE	SCALE: N/A	MODEL TYPE:		
DWN	DATE	VIEW:	PART NO.:		
CHKD	DATE	UNIT: mm	DWG NO.:		
APPD	DATE	SIZE: A4	WEIGHT	SHEET	REVISION
<b>廣東科斯達電子科技有限公司</b>			1.0g	1/1	A0