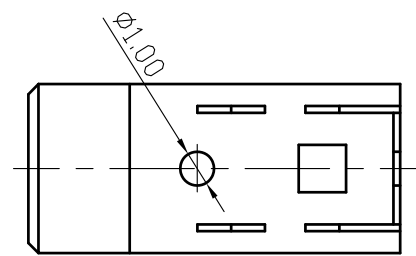
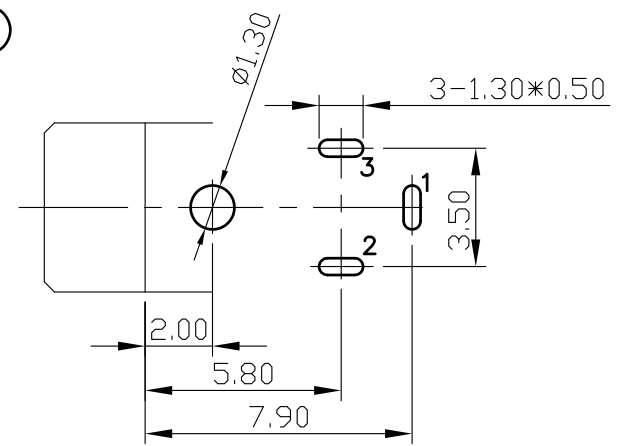
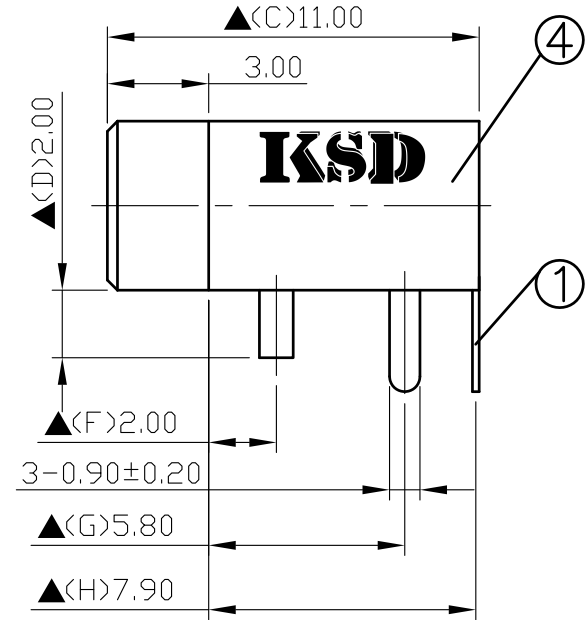
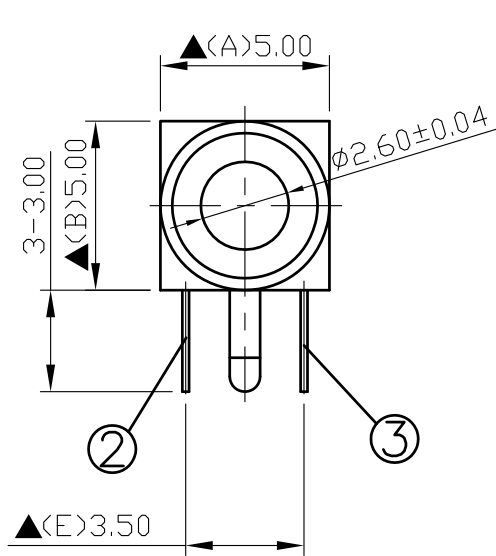


SCHEMATIC	
	MODEL NO H



4.	Housing	POM	1	Black Color
3.	Tip Spring	0.2T Phosphor Bronze	1	Silver Plated
2.	Tip Spring	0.2T Phosphor Bronze	1	Silver Plated
1.	Earth Terminal	0.2T Phosphor Bronze	1	Silver Plated
NO.	Description	Material	Q'TY	Finish

<b>广东科斯达电子科技有限公司</b> GUANG DONG KE SI DA ELECTRONIC TECHNOLOGY CO., LTD.	DATE	DWN	CHKD	APVD	MANAGER
	08.31.2021	王平華			

PART NAME : 2.5 $\phi$ PHONE JACK	PART NUMBER: SCJ224P00HS0B00G	VERSION: 4.0
TOLERANCE : $\pm 0.3$ mm UNLESS OTHERWISE SPECIFIED	UNIT: mm	SCALE: 1/1

**SPECIFICATIONS:**  
 Contact Resistance : 30m $\Omega$  max  
 Insulation Resistance : 100M $\Omega$  min. at DC 500V  
 Dielectric Withstanding Voltage: AC 500V for one minute  
 Remark: ▲: The Most Important Dimension

For Redference  
 僅供參考  
 RoHS&SVHC  
 Compliant