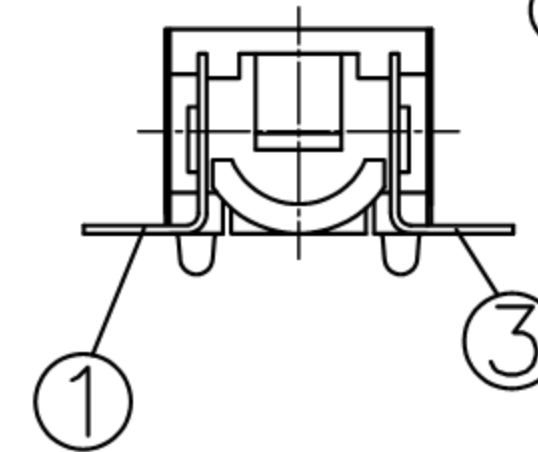
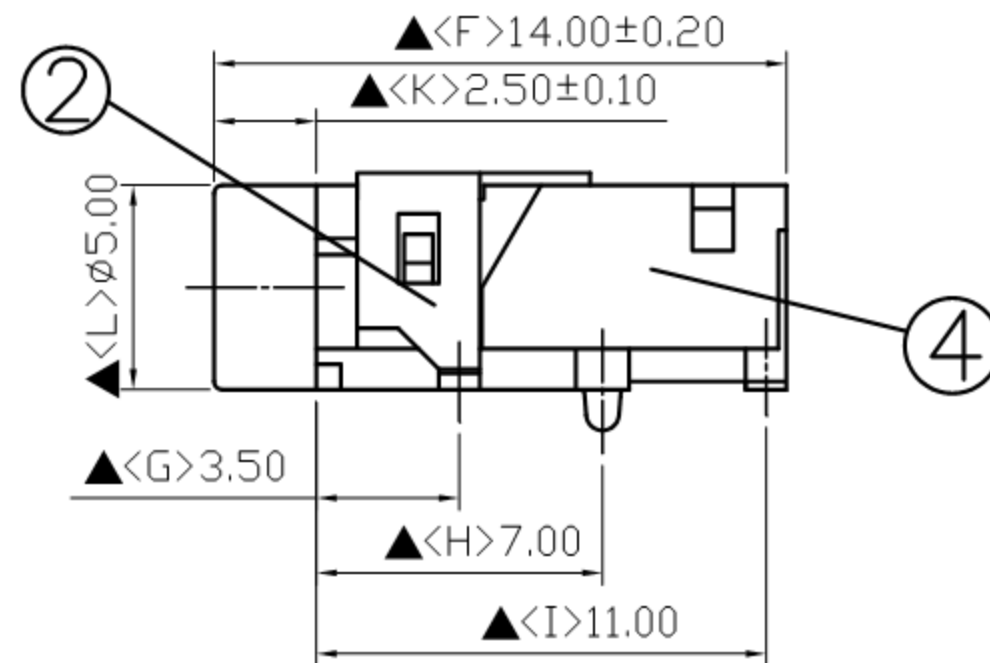
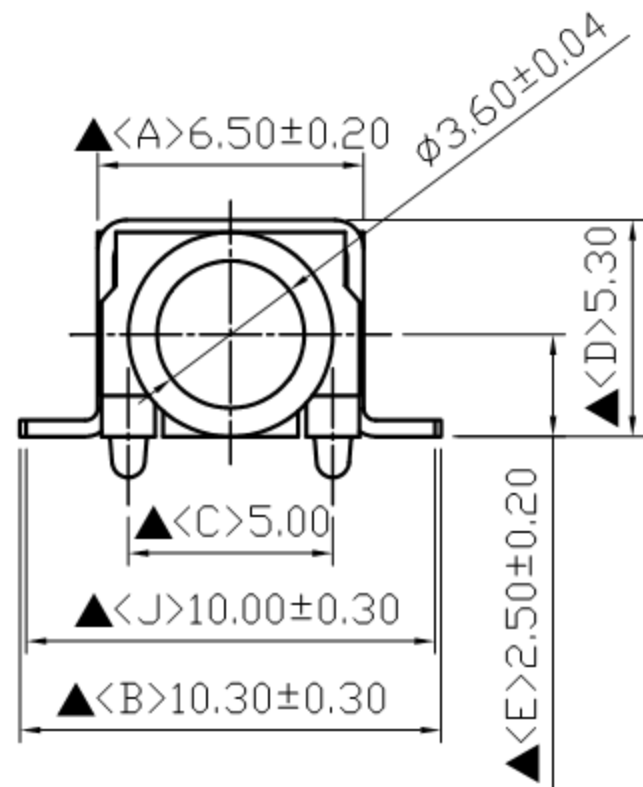


Pin Hole Layout
(Jack Bottom View)



| 4. | Housing | PA9T | 1 | Black Color |
|-----|----------------|----------------------|-----|---------------|
| 3. | Ring Spring | 0.2T Phosphor Bronze | 1 | Silver Plated |
| 2. | Tip Spring | 0.4T Phosphor Bronze | 1 | Silver Plated |
| 1. | Earth Terminal | 0.2T Phosphor Bronze | 1 | Silver Plated |
| NO. | Description | Material | QTY | Finish |

| | | | | | | |
|--|--|------------|-----|------|------|---------|
| | 广东科斯达电子科技有限公司 GUANG DONG KE SI DA ELECTRONIC TECHNOLOGY CO., LTD. | DATE | DWN | CHKD | APVD | MANAGER |
| | | 04.02.2011 | | | | |

| | | |
|-----------------------------------|-------------------------------|--------------|
| PART NAME : 3.5 ϕ PHONE JACK | PART NUMBER: SCJ371P00XS0B00G | VERSION: 4.0 |
|-----------------------------------|-------------------------------|--------------|

| | | |
|---|----------|------------|
| TOLERANCE : ± 0.3 mm UNLESS OTHERWISE SPECIFIED | UNIT: mm | SCALE: 1/1 |
|---|----------|------------|

SPECIFICATIONS:
 Contact Resistance : 30m Ω max
 Insulation Resistance : 100M Ω min. at DC 500V
 Dielectric Withstand Voltage : AC 500V for one minute
 Remark: ▲: The Most Important Dimension

RoHS Compliant For Reference
 仅供参考