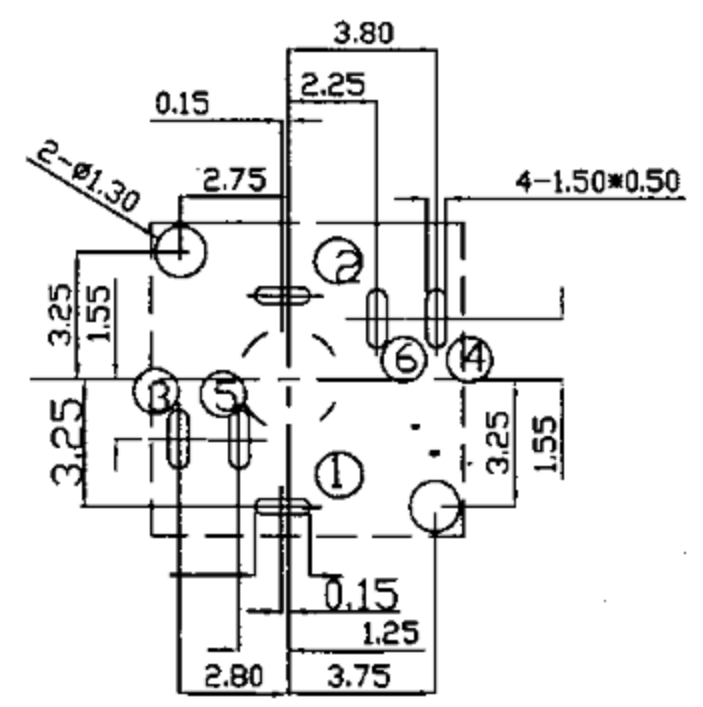
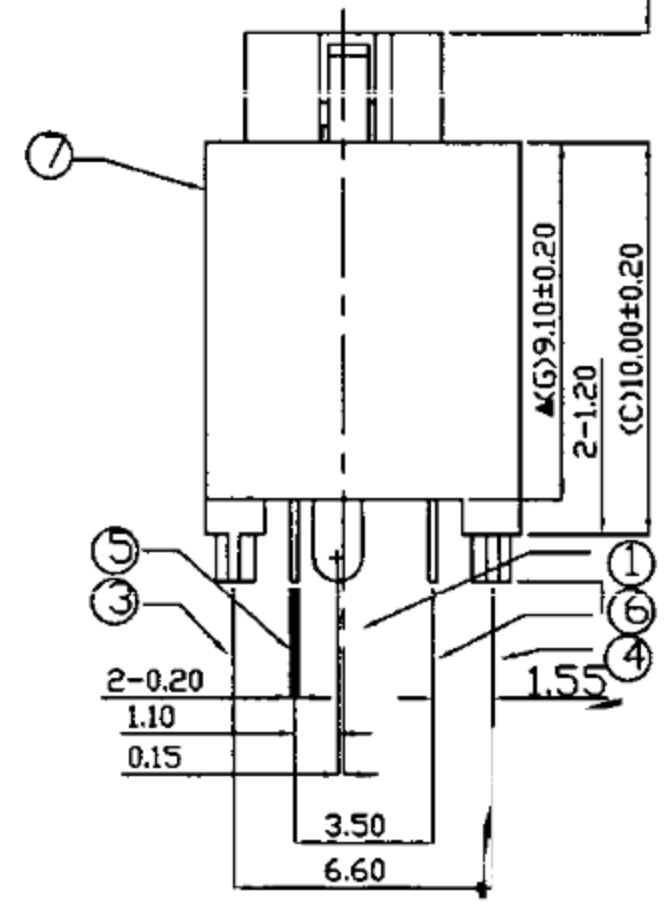
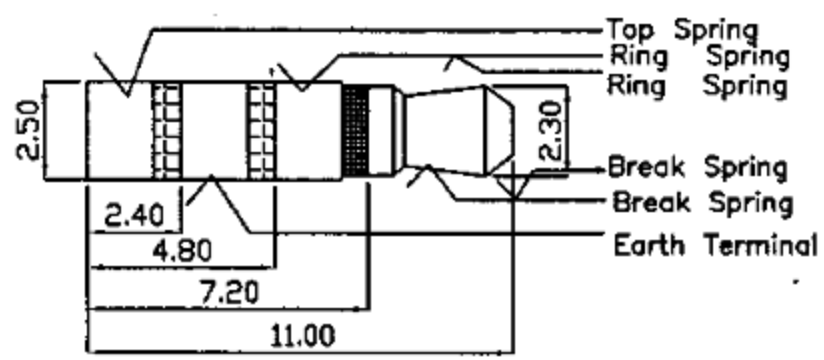
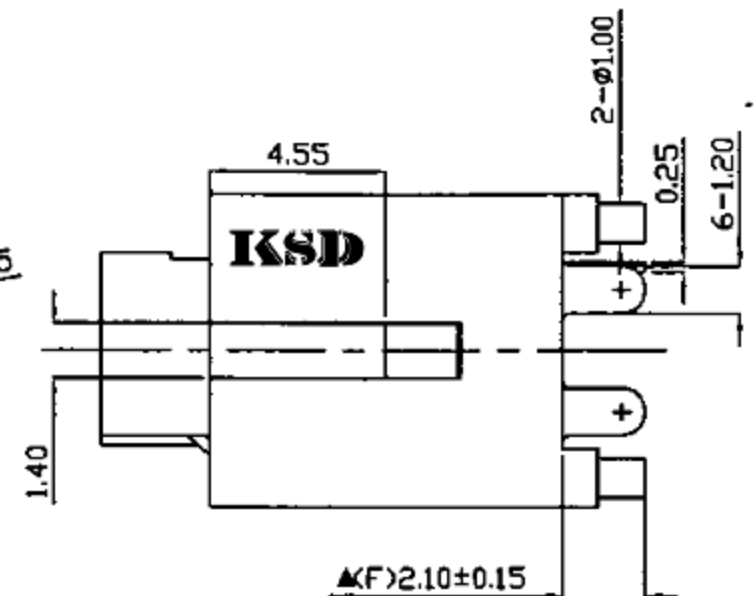
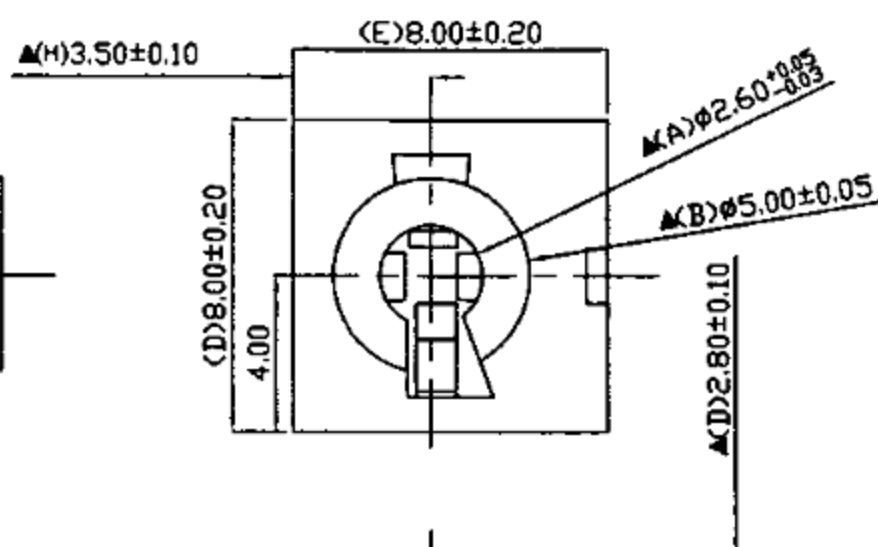
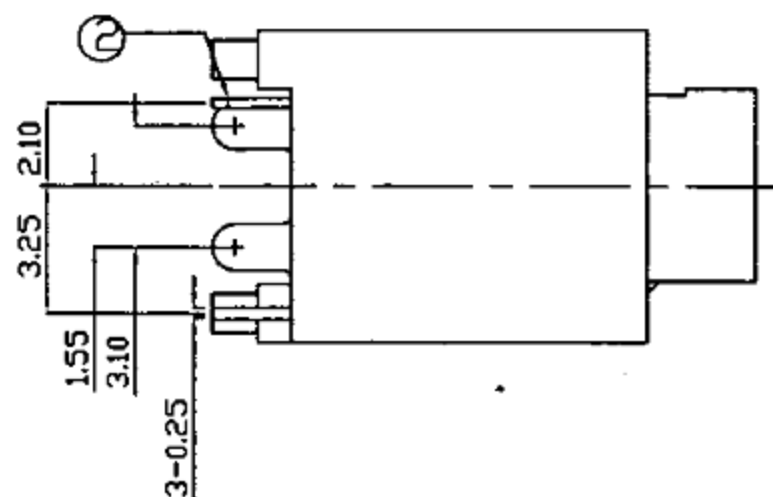


SCHEMATIC	
MODEL NO	J



7.	Housing	PA10T	1	Black Color
6.	Break Spring	0.20T Bronze	1	Gold Plated
5.	Ring Spring	0.20T Bronze	1	Gold Plated
4.	Break Spring	0.25T Phosphor Bronze	1	Gold Plated
3.	Ring Spring	0.25T Phosphor Bronze	1	Gold Plated
2.	Earth Terminal	0.25T Phosphor Bronze	1	Gold Plated
1.	Top Spring	0.30T Phosphor Bronze	1	Gold Plated
NO.	Description	Material	Q'TY	Finish

	广东科斯达电子科技有限公司 GUANG DONG KE SI DA ELECTRONIC TECHNOLOGY CO., LTD.	DATE	DWN	CHKD	APVD	MANAGER
		07.30.2013	曹成明			

PART NAME : 2.5∅ PHONE JACK	PART NUMBER: SCJ276P00JG0B00G	VERSION:1.0
TOLERANCE :±0.3mm UNLESS OTHERWISE SPECIFIED	UNIT:mm	SCALE:/

SPECIFICATIONS:
 Contact Resistance : 30mΩ max
 Insulation Resistance : 100MΩ min. at DC 500V
 Dielectric Withstand Voltage : AC 500V for one minute
 Remark: ▲: The Most Important Dimension

RoHS
Pb Free Process