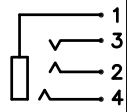
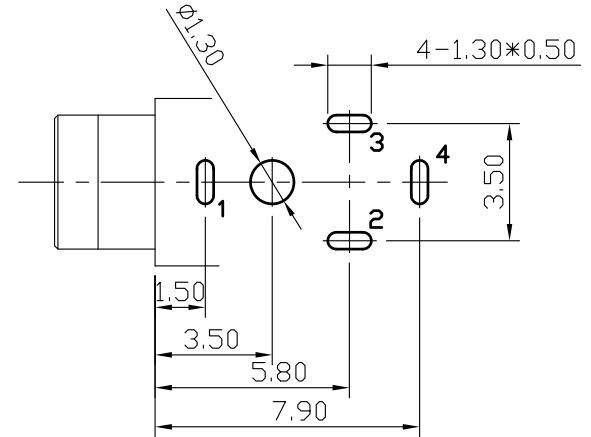
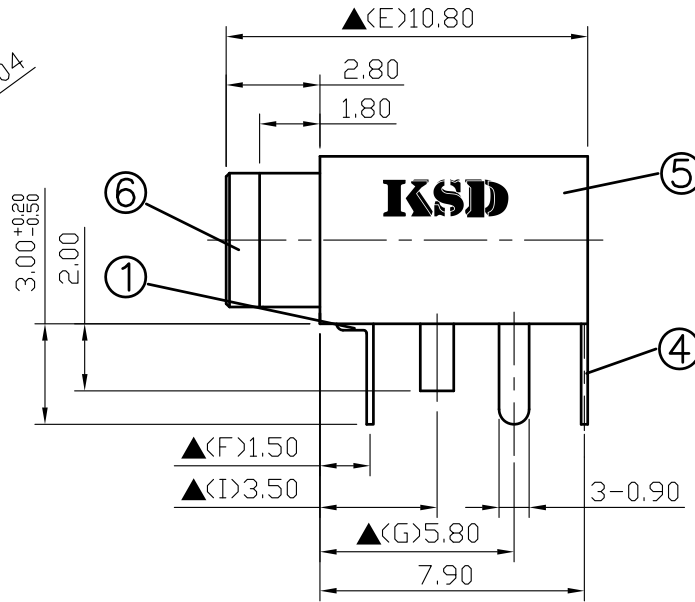
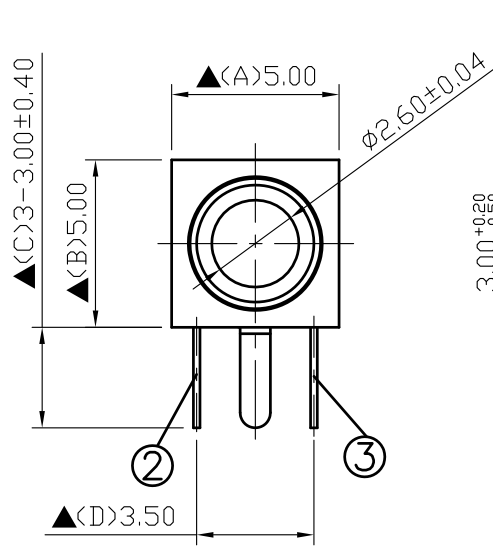


SCHEMATIC	
MODEL NO	I



Pin Hole Layout
(Jack Bottom View)

6.	Bushing	Low Lead Brass Rod	1	Nickel Plated
5.	Housing	PBT	1	Black Color
4.	Ring Spring	0.2T Phosphor Bronze	1	Silver Plated
3.	Tip Spring	0.2T Phosphor Bronze	1	Silver Plated
2.	Tip Spring	0.2T Phosphor Bronze	1	Silver Plated
1.	Earth Terminal	0.2T Phosphor Bronze	1	Silver Plated
NO.	Description	Material	Q'TY	Finish

 广东科斯达电子科技有限公司
GUANG DONG KE SI DA ELECTRONIC TECHNOLOGY CO., LTD.

DATE	DWN	CHKD	APVD	MANAGER
06.30.2021	王平華			

For Redference
僅供參考


RoHS&SVHC
Compliant

PART NAME: 2.5φ PHONE JACK

PART NUMBER :SCJ225R2NIS0B00L

VERSION:3.0

TOLERANCE :±0.3mm UNLESS OTHERWISE SPECIFIED

UNIT:mm 

SCALE: /

SPECIFICATIONS:

Contact Resistance : 30mΩ max
Insulation Resistance : 100MΩ min. at DC 500V
Dielectric Withstand Voltage : AC 500V for one minute
Remark: ▲: The Most Important Dimension