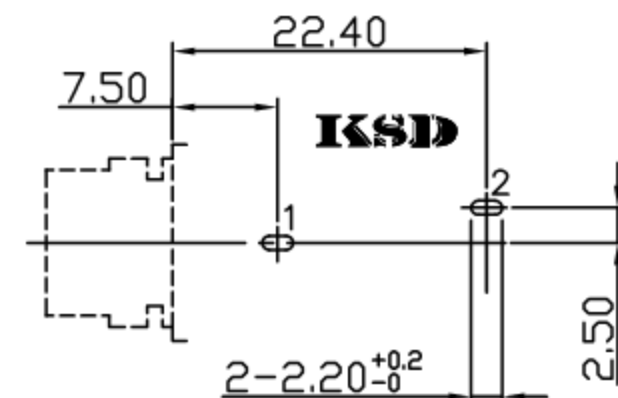
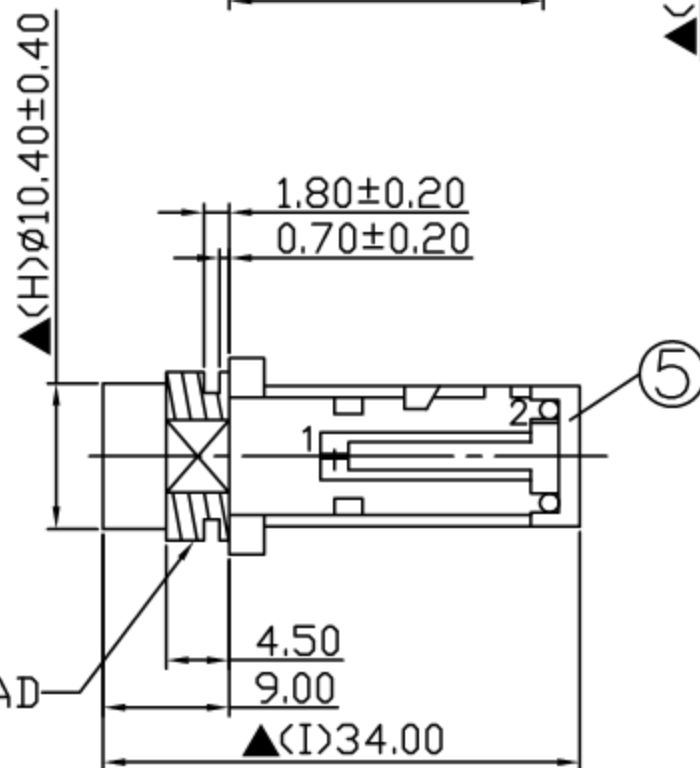
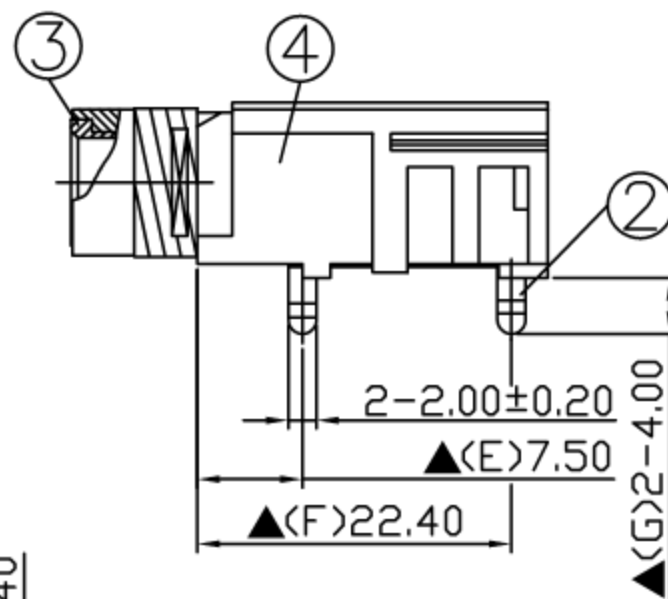
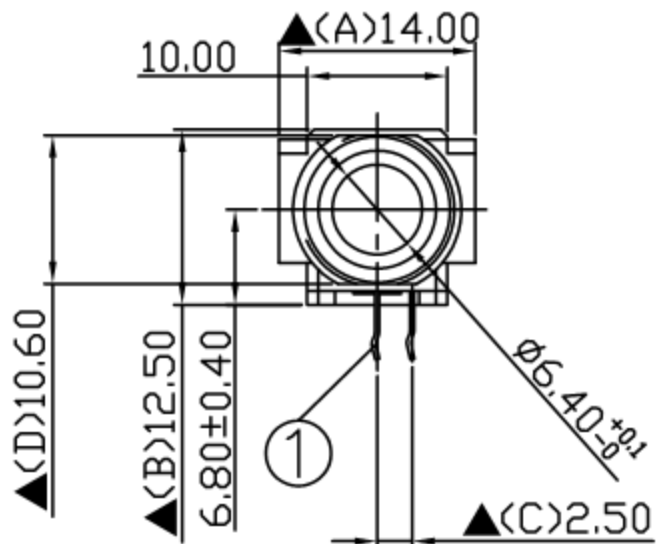
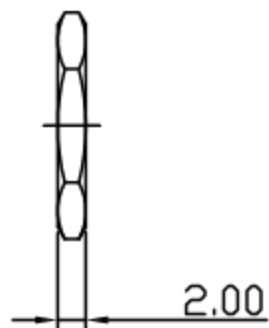


NUT



Pin Hole Layout  
(Jack Bottom View)

7.	Washer	0.5T Steel	1	Nickel Plated
6.	Nut	2.0T Steel	1	Nickel Plated
5.	Cover	PBT	1	Black Color
4.	Housing	PBT	1	Black Color
3.	Bushing	Brass	1	Nickel Plated
2.	Tip Spring	0.4T Phosphor Bronze	1	Silver Plated
1.	Earth Terminal	0.3T Phosphor Bronze	1	Silver Plated
NO	Descripcion	Material	Q'TY	Finish

广东科斯达电子科技有限公司 GUANG DONG KE SI DA ELECTRONIC TECHNOLOGY CO., LTD.	DATE	DWN	CHKD	APVD	MANAGER
	10.12.2011				

PART NAME : 6.3 $\phi$ PHONE JACK	PART NUMBER: SCJ630R0NAS1BK0G	VERSION: 4.0
TOLERANCE : $\pm 0.3$ mm UNLESS OTHERWISE SPECIFIED	UNIT: mm	SCALE: 1/1

SPECIFICATIONS:  
 Contact Resistance : 30m $\Omega$  max  
 Insulation Resistance : 100M $\Omega$  min. at DC 500V  
 Dielectric Withstanding Voltage: AC 500V for one minute  
 Remark:  $\blacktriangle$ : The Most Important Dimension

RoHS  
Compliant

For Reference  
僅供參考