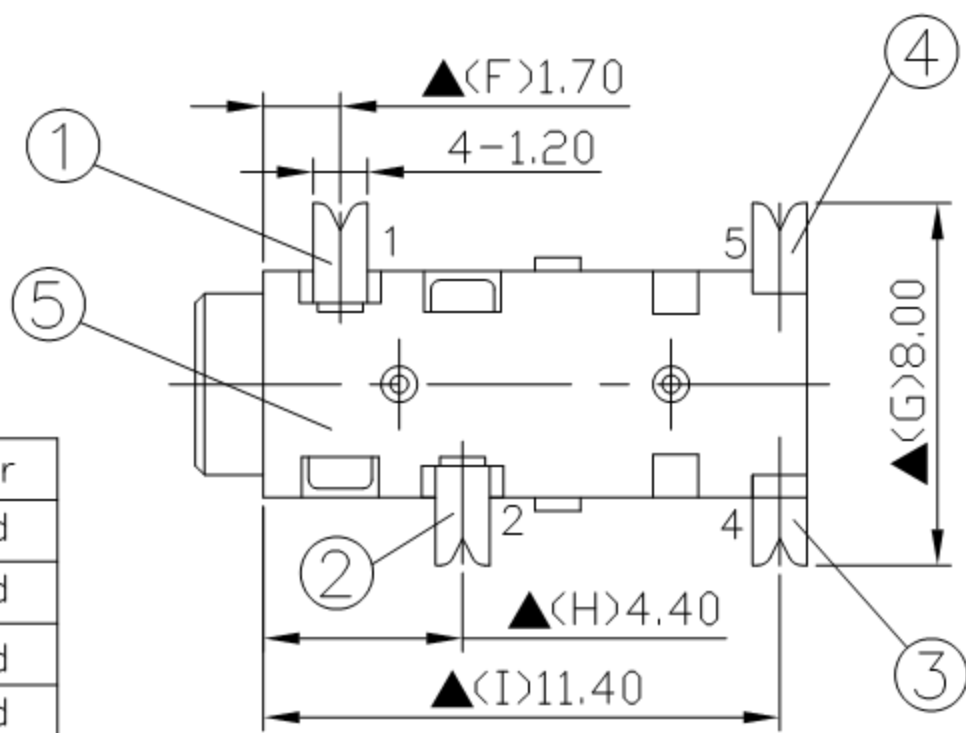
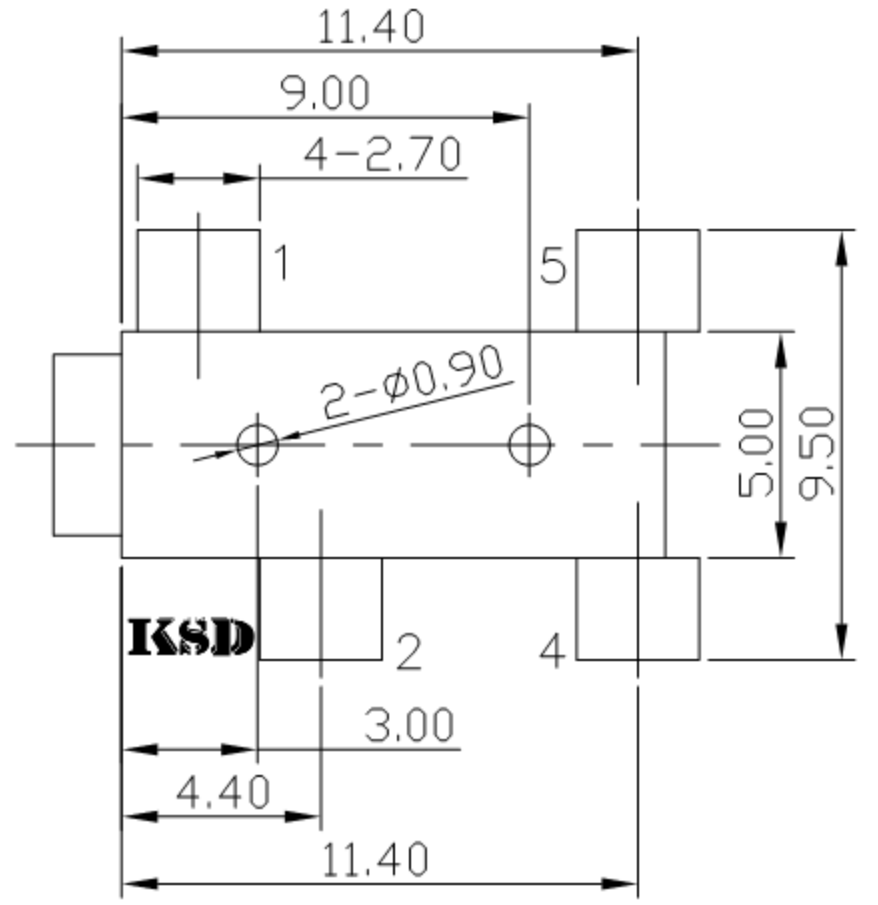
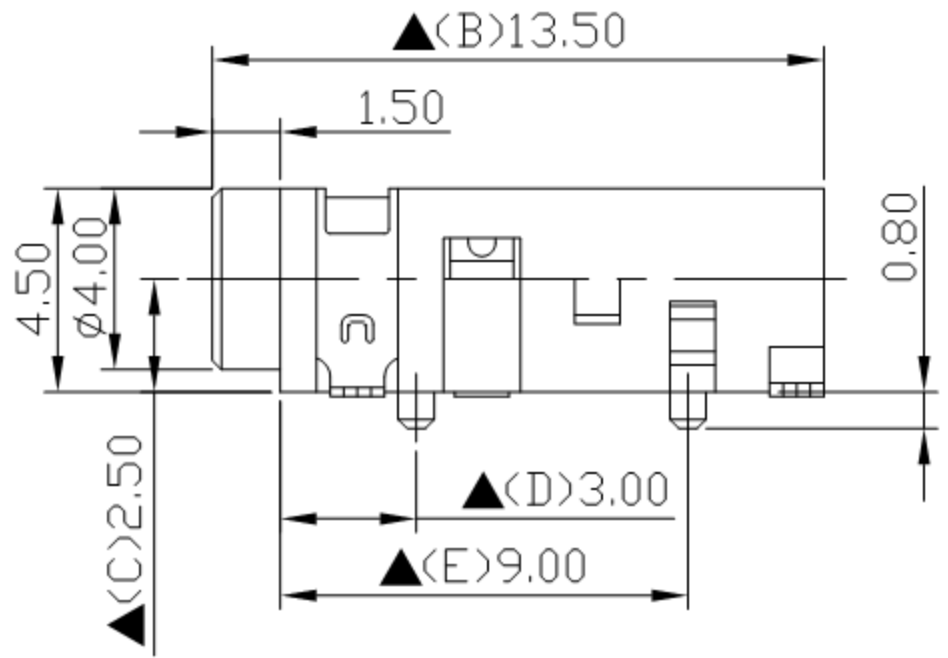
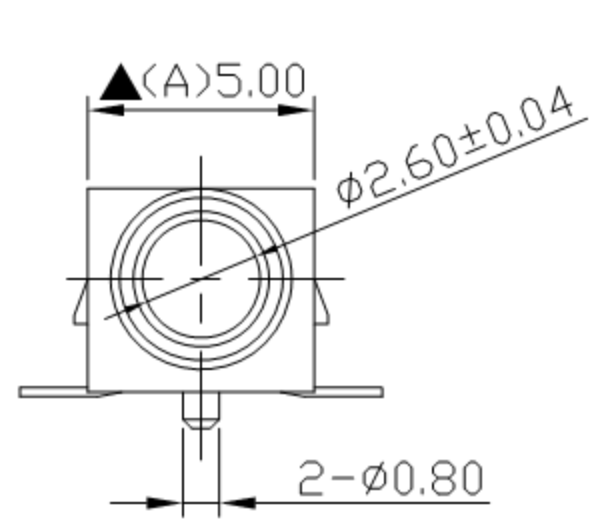


SCHEMATIC	
MODEL NO	V



5.	Housing	PA9T	1	Black Color
4.	Tip Spring	0.3T Phosphor Copper	1	SilverPlated
3.	Break Terminal	0.3T Brass	1	SilverPlated
2.	Ring Spring	0.2T Phosphor Copper	1	SilverPlated
1.	Earth Terminal	0.2T Phosphor Copper	1	SilverPlated
NO.	Description	Material	QTY	Finish

	广东科斯达电子科技有限公司 GUANG DONG KE SI DA ELECTRONIC TECHNOLOGY CO., LTD.	DATE	DWN	CHKD	APVD	MANAGER
		09.15.2021	王平華			

PART NAME : 2.5φ PHONE JACK	PART NUMBER: SCJ232P00VS0B00G	VERSION: 3.0
-----------------------------	-------------------------------	--------------

TOLERANCE : ±0.3mm UNLESS OTHERWISE SPECIFIED	UNIT: mm		SCALE: /
---	----------	--	----------

SPECIFICATIONS:
 Contact Resistance : 30mΩ max
 Insulation Resistance : 100MΩ min. at DC 500V
 Dielectric Withstanding Voltage: AC 500V for one minute
 Remark: ▲: The Most Important Dimension

For Redference
僅供參考

RoHS&SVHC
Pb Free Process