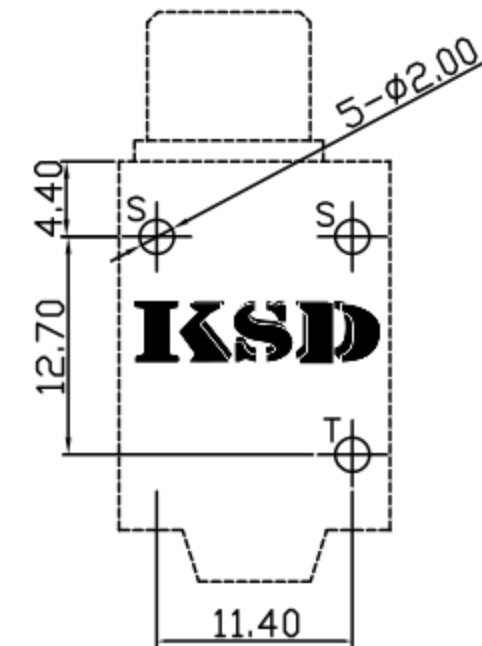
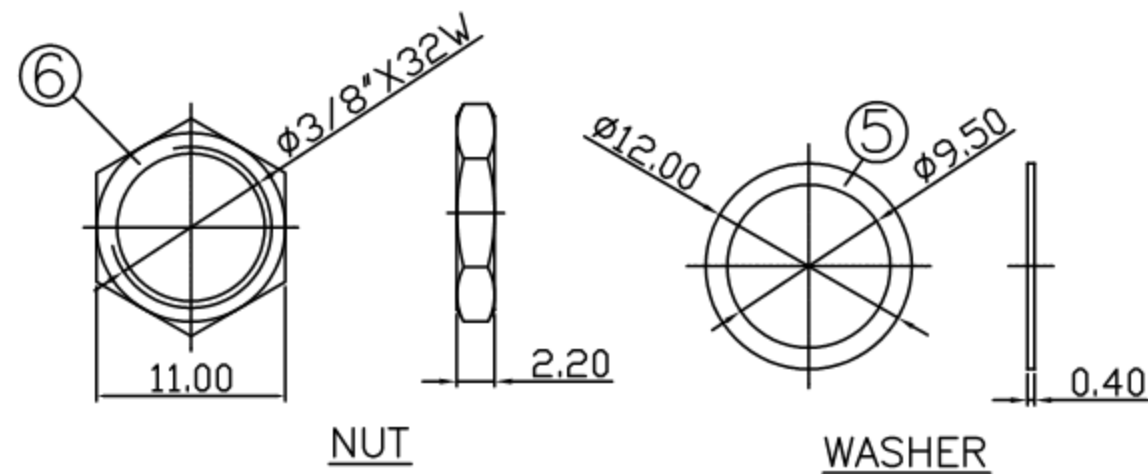
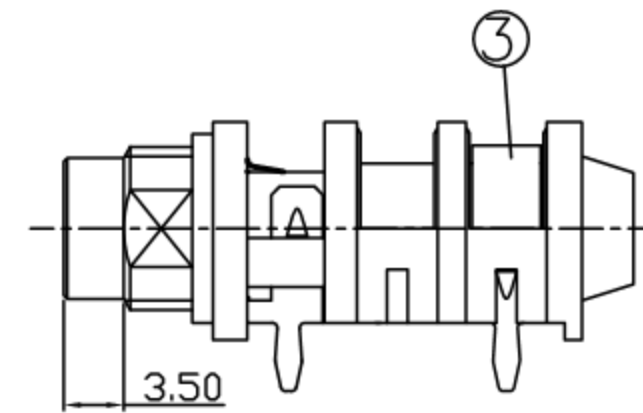
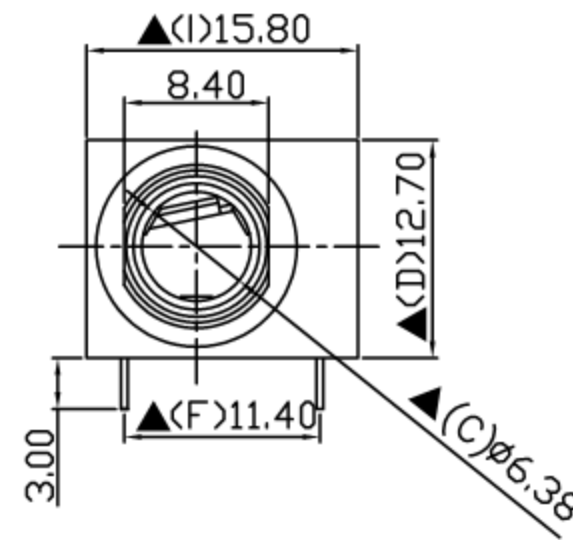
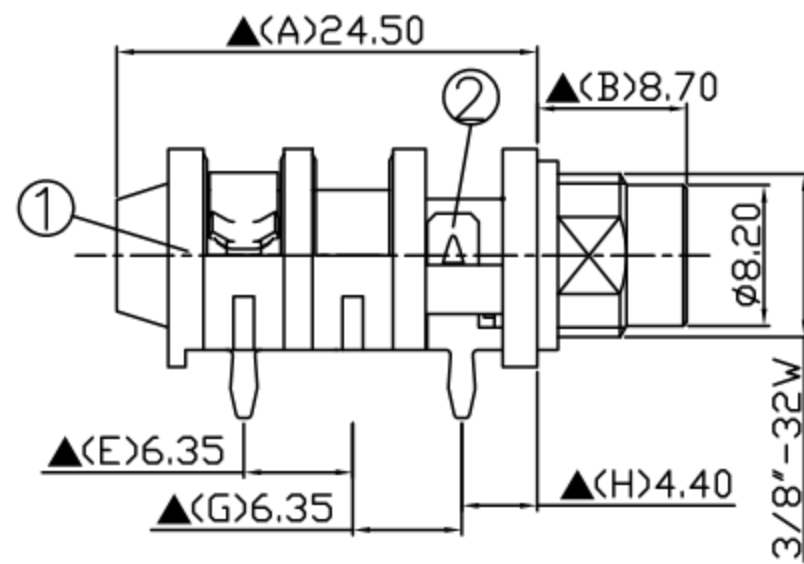


SCHEMATIC	
MODEL NO	A



Pin Hole Layout
(Jack Bottom View)

5.	Nut	2.2T Brass	1	Nickel Plated
4.	Washer	0.4T Brass	1	Nickel Plated
3.	Tip Spring	0.4T Phosphor Bronze	1	Silver Plated
2.	Sleeve Shunt	0.4T Bronze	1	Silver Plated
1.	Housing	PA66	1	Black Color
NO.	Description	Material	Q'TY	Finish

广东科斯达电子科技有限公司
GUANG DONG KE SI DA ELECTRONIC TECHNOLOGY CO., LTD.

DATE	DWN	CHKD	APVD	MANAGER
10.28.2012				

PART NAME : 6.3 ϕ PHONE JACK PART NUMBER: SCJ636P50AS4BP0G VERSION: 1.0

TOLERANCE : $\pm 0.3\text{mm}$ UNLESS OTHERWISE SPECIFIED UNIT: mm SCALE: /

SPECIFICATIONS:
 Contact Resistance : 30m Ω max
 Insulation Resistance : 100M Ω min. at DC 500V
 Dielectric Withstanding Voltage: AC 500V for one minute
 Remark: : The Most Important Dimension

RoHS
Pb Free Process For Reference
僅供參考