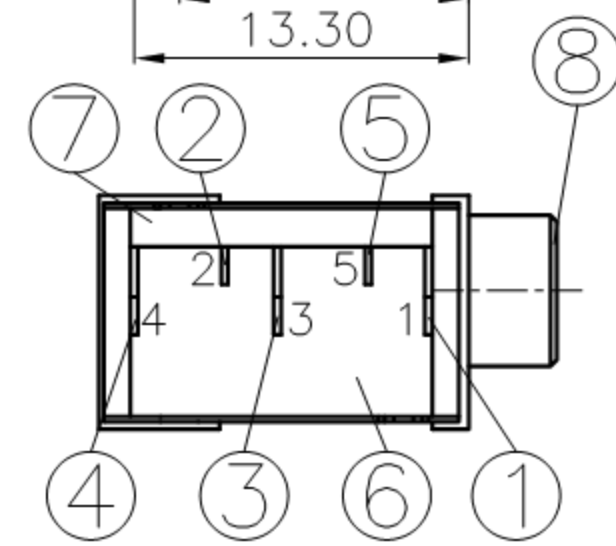


Pin Hole Layout
(Jack Bottom View)

11.	Metal Shell	0.3T Brass	1	Nickel Plated
10.	Spring S	SUS-304	1	
9.	Spring L	SUS-304	1	
8.	Barrel	Brass	1	Nickel Plated
7.	Cover	PBT	1	Black Color
6.	Housing	PBT	1	Black Color
5.	Tip Spring	0.25T Brass	1	Silver Plated
4.	Shunt Terminal B	0.3T Brass	1	Silver Plated
3.	Shunt Terminal A	0.3T Brass	1	Silver Plated
2.	Ring Spring	0.25T Brass	1	Silver Plated
1.	Earth Terminal	0.3T Brass	1	Silver Plated
NO.	Description	Material	Q'TY	Finish



	广东科斯达电子科技有限公司 GUANG DONG KE SI DA ELECTRONIC TECHNOLOGY CO., LTD.	DATE	DWN	CHKD	APVD	MANAGER
		01.04.2012				

RoHS Compliant
For Reference
僅供參考

PART NAME: 3.5 ϕ PHONE JACK	PART NUMBER: SCJ379M0NUS0B21G	VERSION: 3.0
TOLERANCE: ± 0.3 mm UNLESS OTHERWISE SPECIFIED		UNIT: mm
		SCALE: 1/1

SPECIFICATIONS:
 Contact Resistance : 30m Ω max
 Insulation Resistance : 100M Ω min. at DC 500V
 Dielectric Withstanding Voltage: AC 500V for one minute
 Remark: ▲: The Most Important Dimension