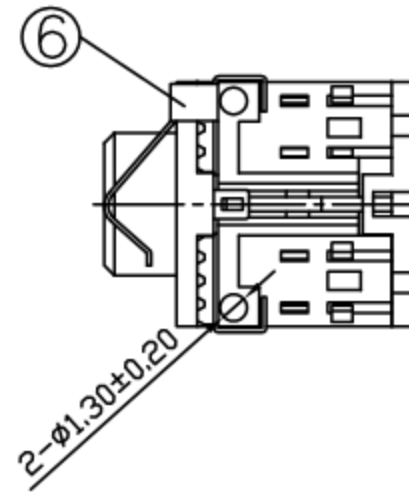
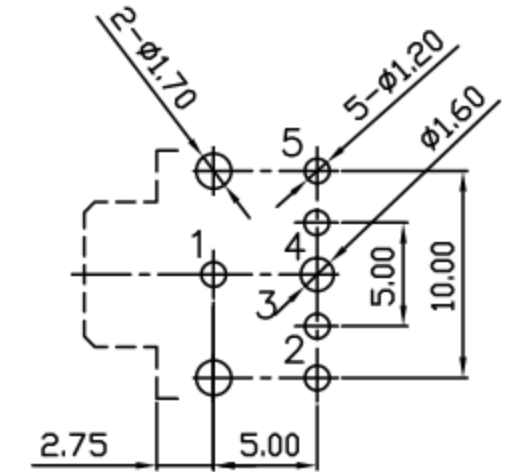
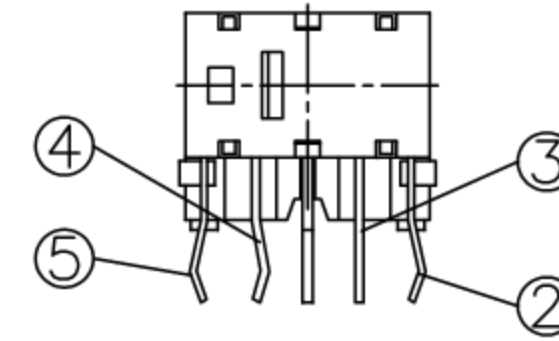
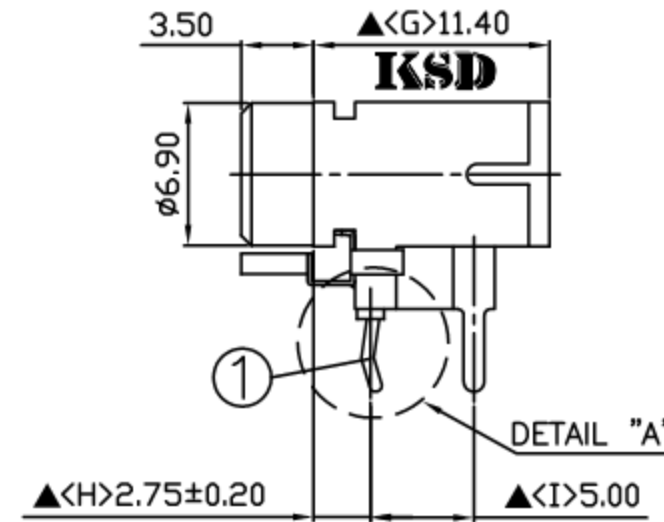
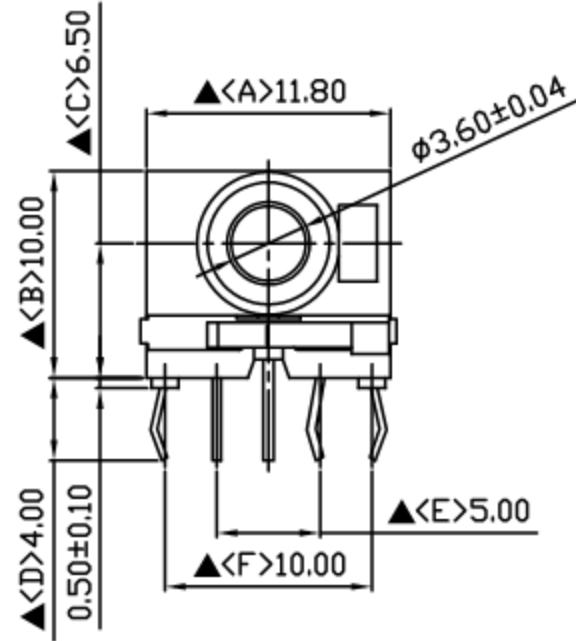
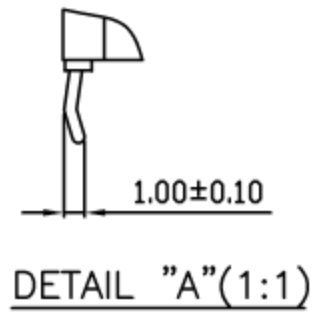


SCHEMATIC	
MODEL NO	U



8.	Cover	PBT	1	Black Color
7.	Housing	PBT	1	Black Color
6.	Panel Ground	0.2T Stainless Steel	1	
5.	Tip Spring	0.25T Phosphor Bronze	1	Silver Plated
4.	Break Terminal	0.4T Brass	1	Silver Plated
3.	Break Terminal	0.4T Brass	1	Silver Plated
2.	Ring Spring	0.3T Phosphor Bronze	1	Silver Plated
1.	Earth Terminal	0.5T Brass	1	Silver Plated
NO.	Description	Material	Q'TY	Finish

	广东科斯达电子科技有限公司 GUANG DONG KE SI DA ELECTRONIC TECHNOLOGY CO., LTD.	DATE	DWN	CHKD	APVD	MANAGER
		12.22.2011				

PART NAME :3.5φ PHONE JACK	PART NUMBER:SCJ360P00US2B01G	VERSION:5.0
TOLERANCE :±0.3mm UNLESS OTHERWISE SPECIFIED	UNIT:mm	SCALE:1/1

SPECIFICATIONS:
Contact Resistance : 30mΩ max
Insulation Resistance : 100MΩ min. at DC 500V
Dielectric Withstanding Voltage: AC 500V for one minute
Remark: ▲: The Most Important Dimension

RoHS Compliant For Reference 僅供參考