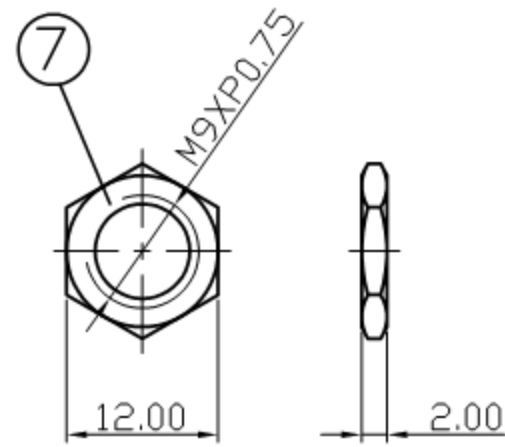
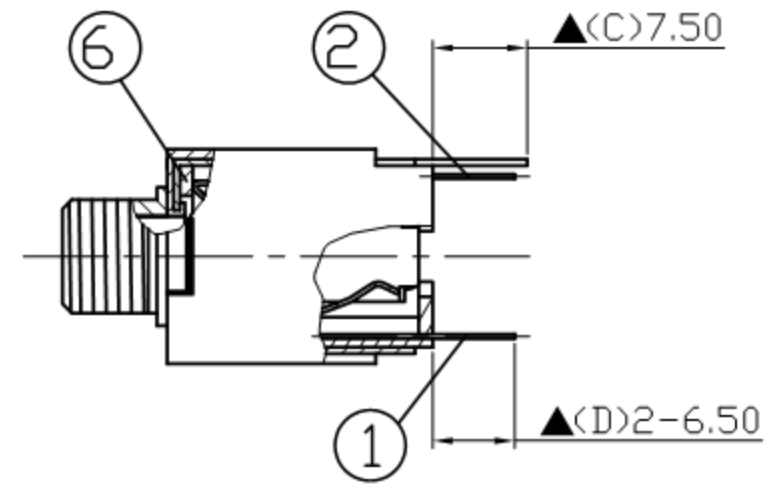
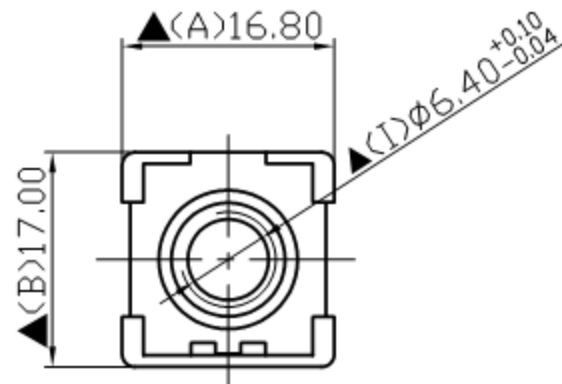


WASHER



NUT



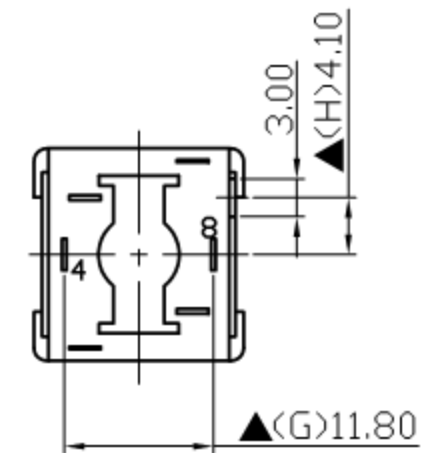
M9XP0.75 METRIC THREAD

W/O STOPPER

$\triangle(E)8.30\pm 0.20$

$\triangle(F)21.00\pm 0.20$

**KSD**



8.	Washer	0.5T Steel	1	Nickel Plated
7.	Nut	2.0T Steel	1	Nickel Plated
6.	Insulator	Red Vulcanited Fibre	1	Red Color
5.	Barrel(W/Thread)	Brass	1	Nickel Plated
4.	Cover	0.5T Steel	1	Nickel Plated
3.	Housing	PDM	1	Black Color
2.	Ring Spring	0.35T Phosphor Bronze	1	Silver Plated
1.	Tip Spring	0.35T Phosphor Bronze	1	Silver Plated
NO.	Description	Material	Q 'TY	Finish

	<b>广东科斯达电子科技有限公司</b> GUANG DONG KE SI DA ELECTRONIC TECHNOLOGY CO., LTD.	DATE	DWN	CHKD	APVD	MANAGER
		10.12.2011				

PART NAME: <math>\phi 6.3\phi</math> PHONE JACK	PART NUMBER: SCJ610M2NAS3B11G	VERSION: 5.0
---	-------------------------------	--------------

TOLERANCE: $\pm 0.3\text{mm}$ UNLESS OTHERWISE SPECIFIED	UNIT: mm	SCALE: 1/1
--	----------	------------

SPECIFICATIONS:

Contact Resistance :  $30\text{m}\Omega_{\text{max}}$   
 Insulation Resistance :  $100\text{M}\Omega_{\text{min}}$ , at DC 500V  
 Dielectric Withstanding Voltage : AC 500V for one minute  
 Remark:  $\blacktriangle$ : The Most Important Dimension

RoHS Compliant

For Reference  
 僅供參考