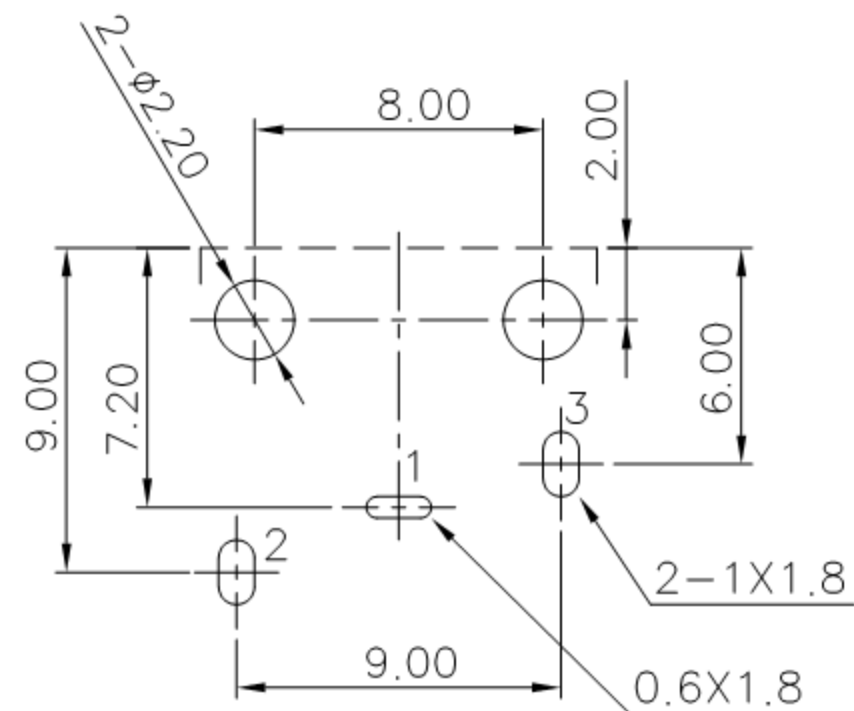
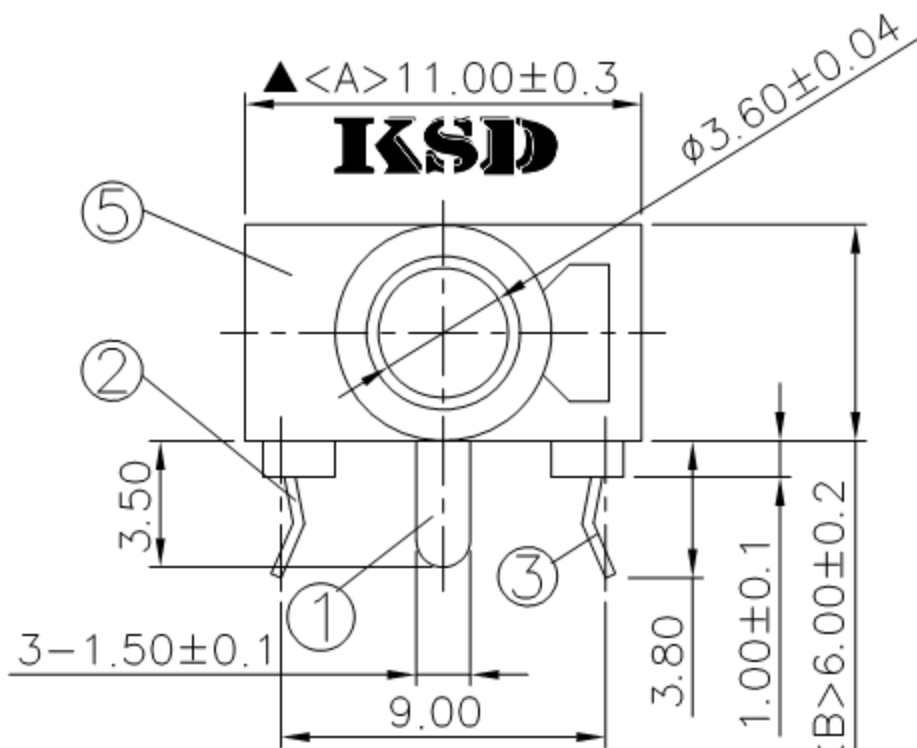
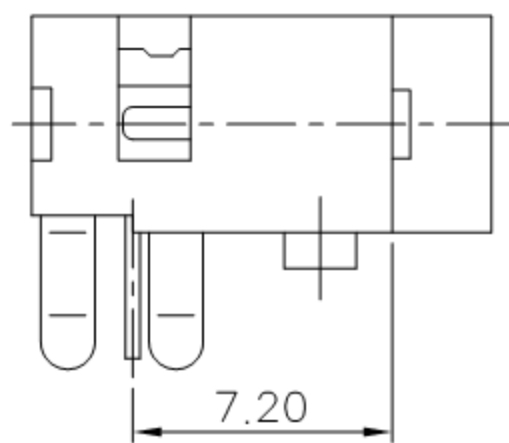


|           |   |
|-----------|---|
| SCHEMATIC |   |
| MODEL NO  | X |



|     |                |                      |      |               |
|-----|----------------|----------------------|------|---------------|
| 5.  | Housing        | PBT                  | 1    | Black Color   |
| 4.  | Barrel         | Low lead Brass Rod   | 1    | Nickel Plated |
| 3.  | Ring Spring    | 0.3T Phosphor Bronze | 1    | Silver Plated |
| 2.  | Tip Spring     | 0.3T Phosphor Bronze | 1    | Silver Plated |
| 1.  | Earth Terminal | 0.4T Bronze          | 1    | Silver Plated |
| NO. | Description    | Material             | Q'TY | Finish        |

|  |  |            |     |      |      |         |
|--|--|------------|-----|------|------|---------|
|  | 广东科斯达电子科技有限公司<br>GUANG DONG KE SI DA ELECTRONIC TECHNOLOGY CO., LTD. | DATE       | DWN | CHKD | APVD | MANAGER |
|  |  | 09.16.2020 | 王平華 |      |      |         |

|                             |                               |              |
|-----------------------------|-------------------------------|--------------|
| PART NAME : 3.5φ PHONE JACK | PART NUMBER: SCJ338RONXS0B00L | VERSION: 1.0 |
|-----------------------------|-------------------------------|--------------|

|   |          |  |            |
|---|----------|--|------------|
| TOLERANCE : ±0.3mm UNLESS OTHERWISE SPECIFIED | UNIT: mm |  | SCALE: 1/1 |
|---|----------|--|------------|

SPECIFICATIONS:  
 Contact Resistance : 30mΩ max  
 Insulation Resistance : 100MΩ min. at DC 500V  
 Dielectric Withstanding Voltage: AC 500V for one minute  
 Remark: ▲: The Most Important Dimension

For Reference  
 備供參攷

RoHS&SVHC  
 Compliant