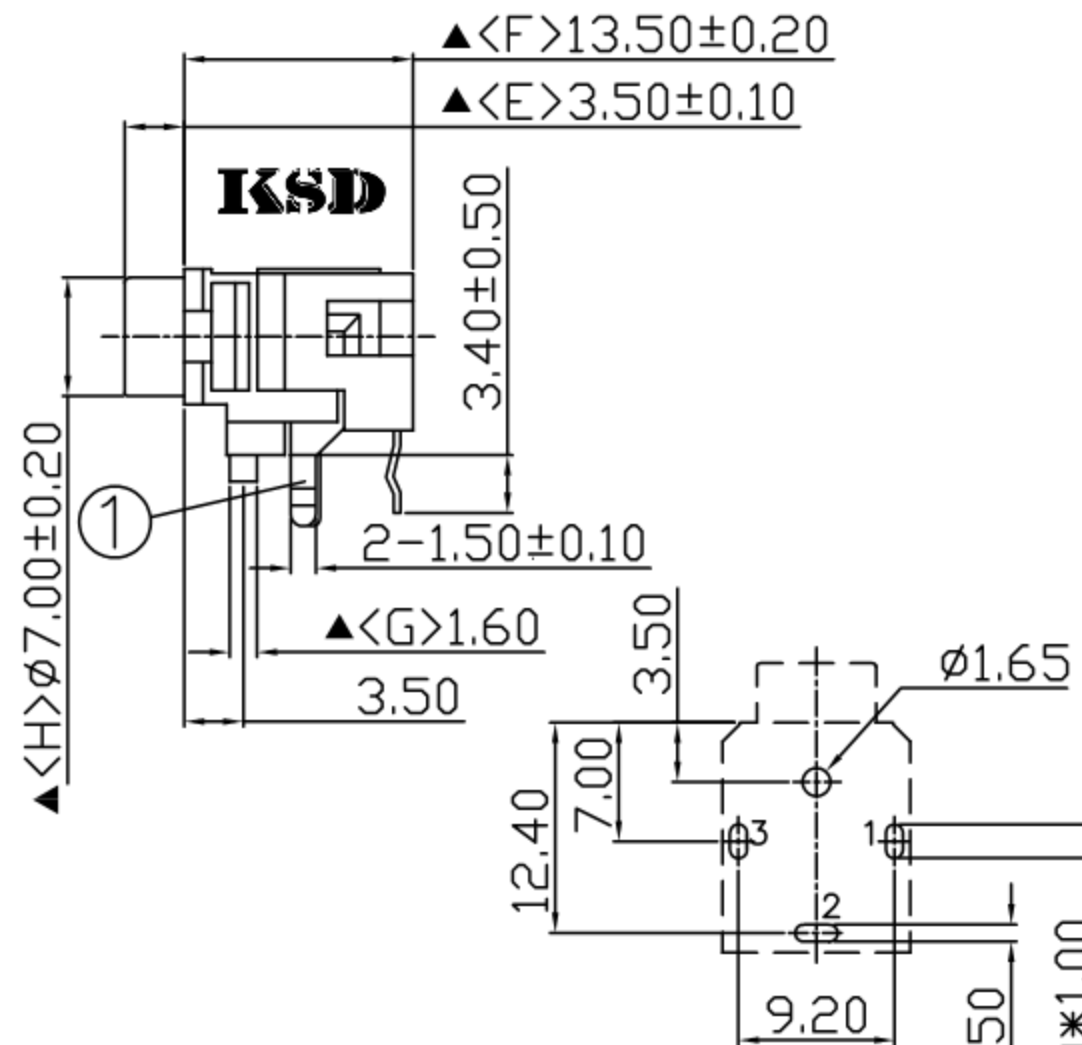
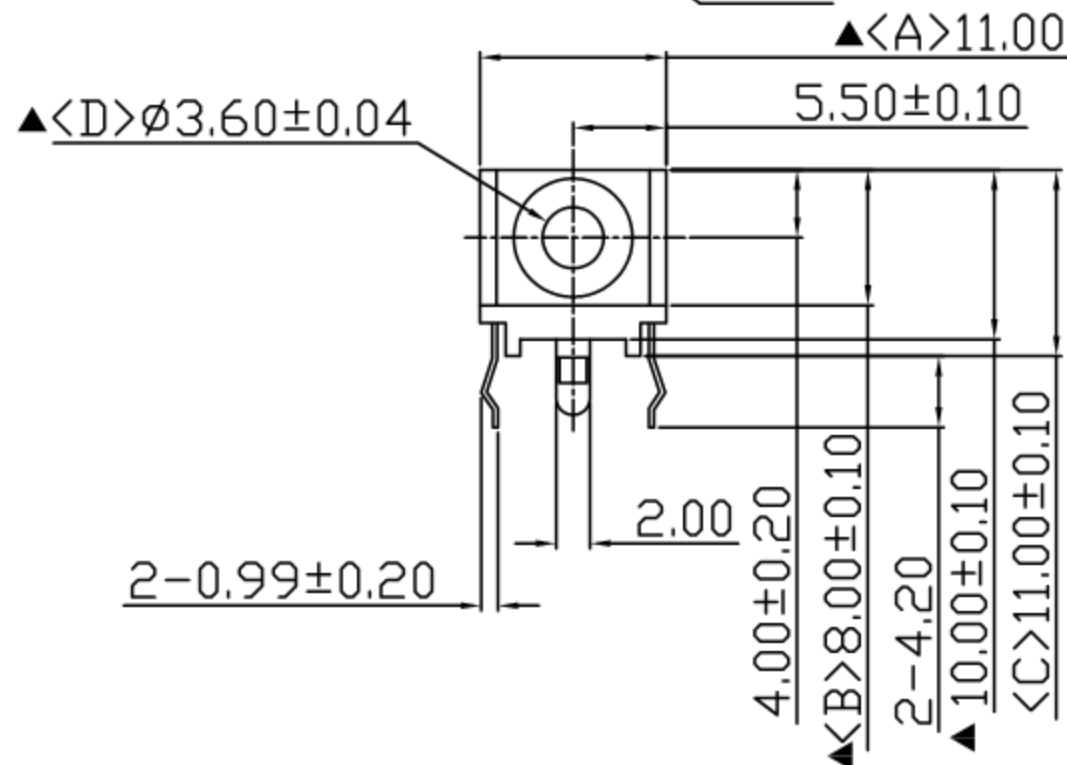
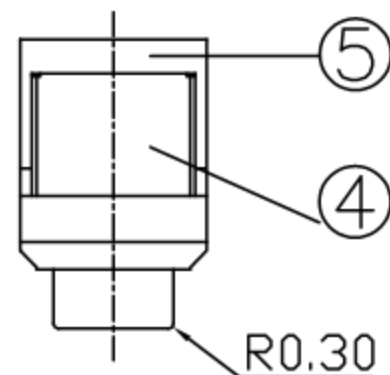
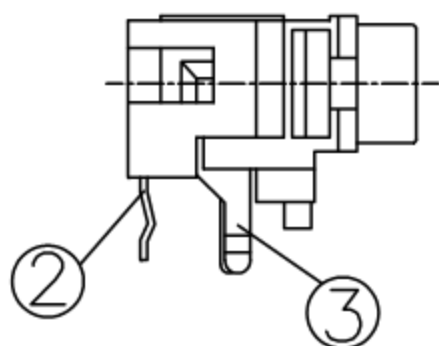
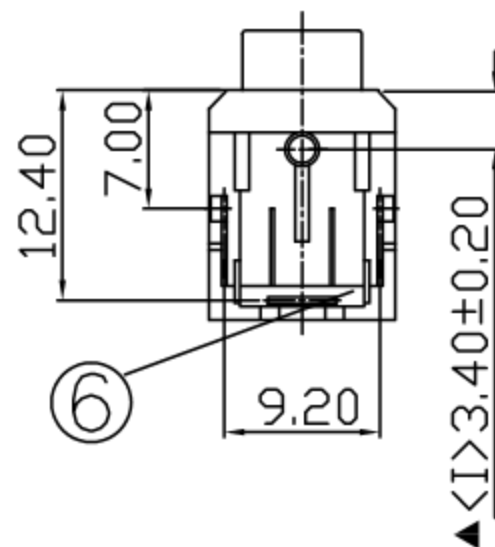


SCHEMATIC	
MODEL NO	A



Pin Hole Layout  
(Jack Bottom View)

6.	Insulator	POM	1	White Color
5.	Cover	POM	1	White Color
4.	Housing	PBT	1	Black Color
3.	Ring Spring	0.25T Phosphor Bronze	1	Silver Plated
2.	Chip/Tip Spring	0.3T Phosphor Bronze	1	Silver Plated
1.	Earth Terminal	0.25T Phosphor Bronze	1	Silver Plated
NO.	Description	Material	Q'TY	Finish



	广东科斯达电子科技有限公司 GUANG DONG KE SI DA ELECTRONIC TECHNOLOGY CO., LTD.	DATE	DWN	CHKD	APVD	MANAGER
		01.09.2012				

PART NAME : 3.5 $\phi$ PHONE JACK	PART NUMBER: SCJ345P00AS0B00G	VERSION: 3.0
TOLERANCE : $\pm 0.3$ mm UNLESS OTHERWISE SPECIFIED		UNIT: mm
		SCALE: 1/1

RoHS Compliant For Reference 僅供參考

SPECIFICATIONS:  
 Contact Resistance : 30m $\Omega$  max  
 Insulation Resistance : 100M $\Omega$  min. at DC 500V  
 Dielectric Withstanding Voltage: AC 500V for one minute  
 Remark:  $\blacktriangle$ : The Most Important Dimension