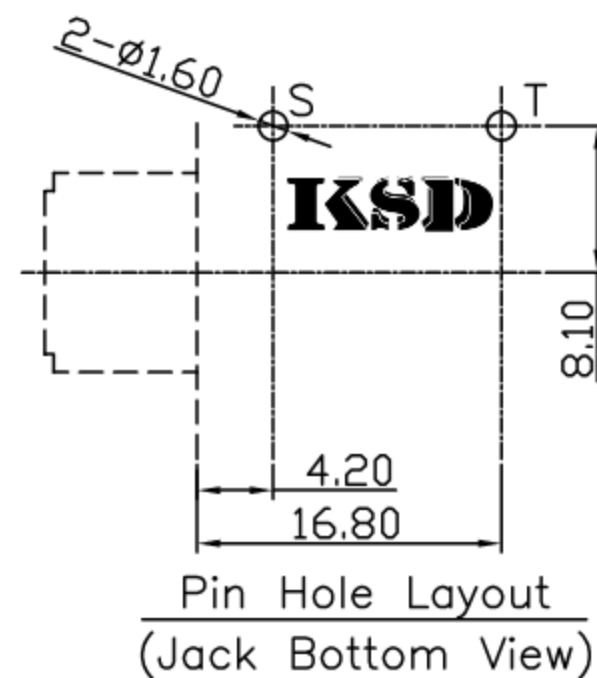
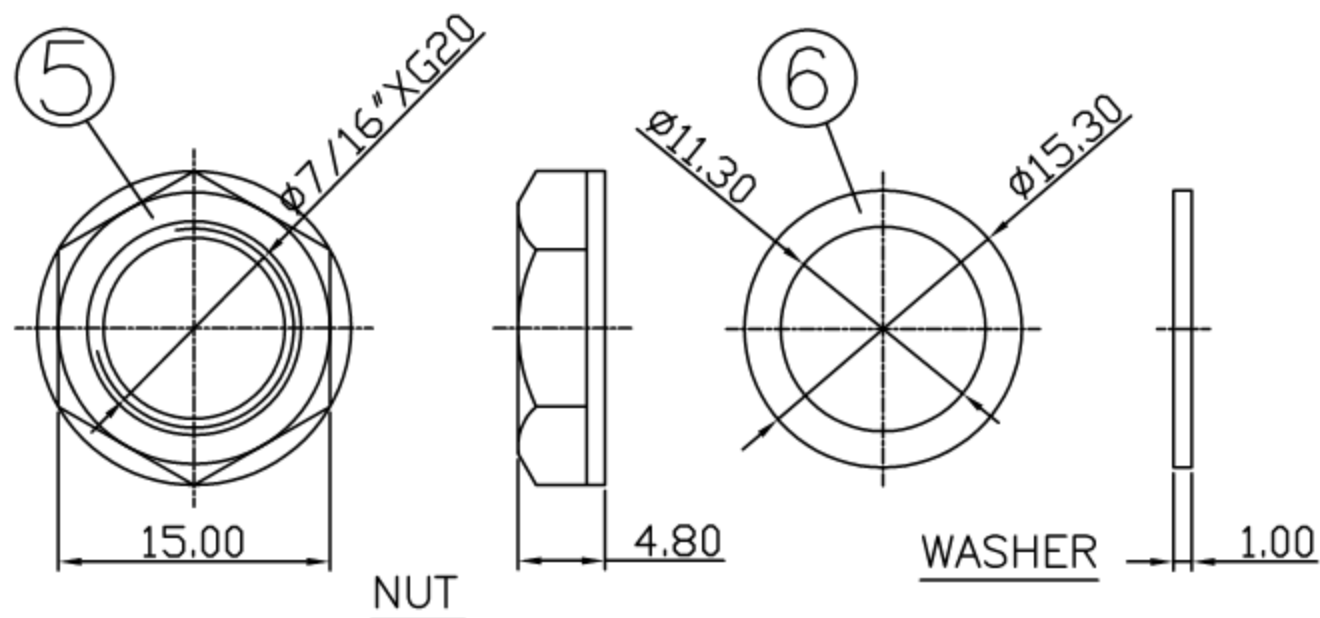


$\phi 7/16" \times G20$ METRIC THREAD



6.	Washer	PAPER SHEET t1.0	1	Red Color
5.	Nut-Hexagon	PA66	1	Black Color
4.	Housing	PA66	1	Black Color
3.	Metal	Brass	1	Nickel Plated
2.	Tip Spring	0.4T Phosphor Bronze	1	Silver Plated
1.	Sleeve Spring	0.4T Phosphor Bronze	1	Silver Plated
NO.	Description	Material	Q'TY	Finish

广东科斯达电子科技有限公司 GUANG DONG KE SI DA ELECTRONIC TECHNOLOGY CO., LTD.	DATE	DWN	CHKD	APVD	MANAGER
	10.12.2011				

PART NAME : 6.3 ϕ PHONE JACK	PART NUMBER: SCJ638R4NAS5BP0G	VERSION:3.0
-----------------------------------	-------------------------------	-------------

TOLERANCE : ± 0.3 mm UNLESS OTHERWISE SPECIFIED	UNIT:mm	SCALE:1/1
---	---------	-----------

SPECIFICATIONS:
 Contact Resistance : 30m Ω max
 Insulation Resistance : 100M Ω min. at DC 500V
 Dielectric Withstand Voltage : AC 500V for one minute
 Remark: \blacktriangle : The Most Important Dimension

RoHS
Pb Free Process
For Reference
僅供參考