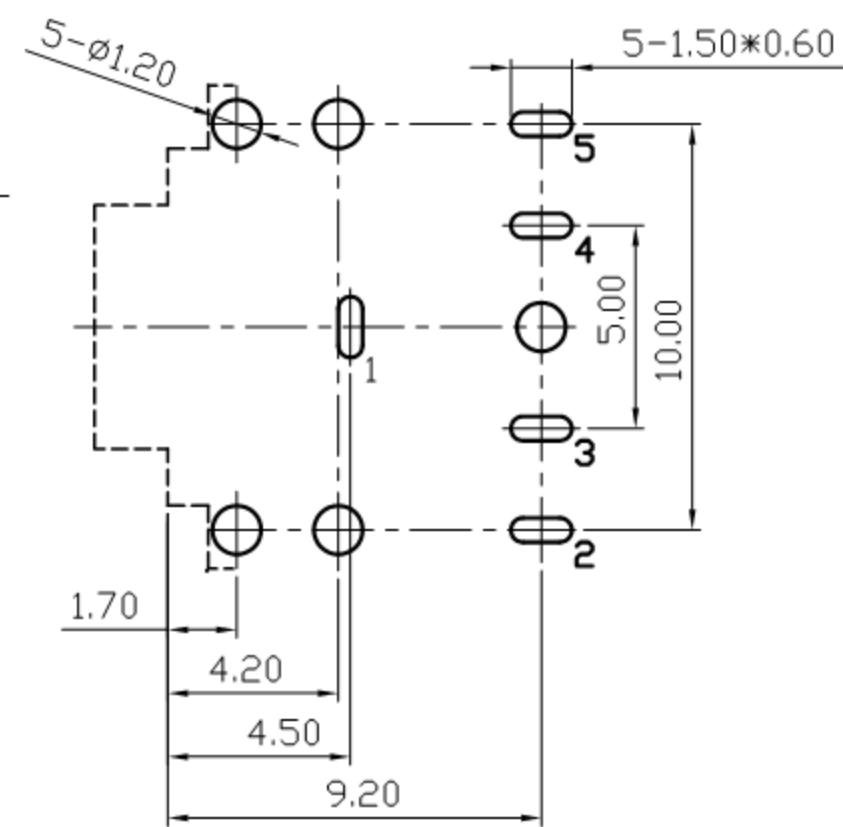
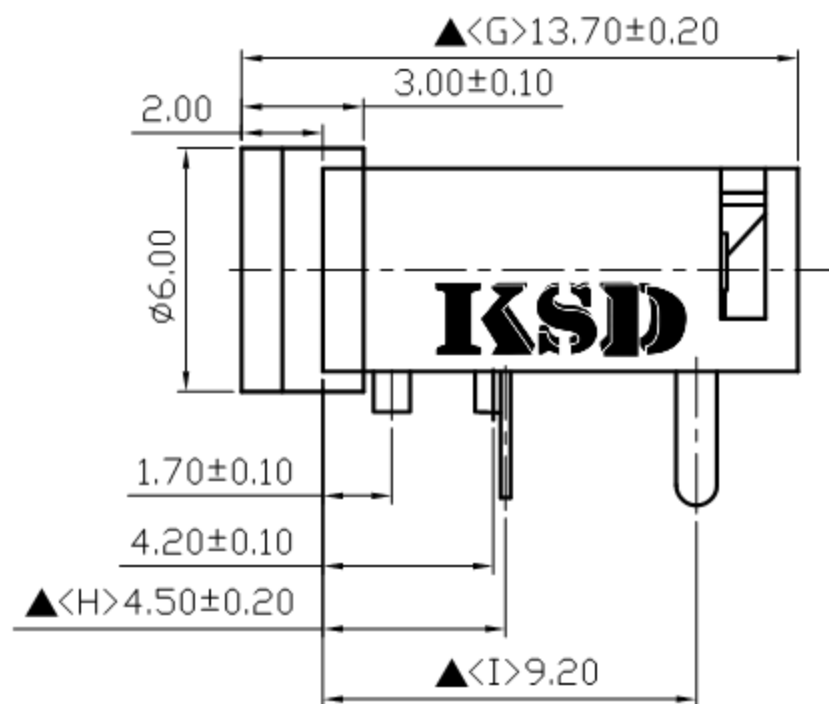
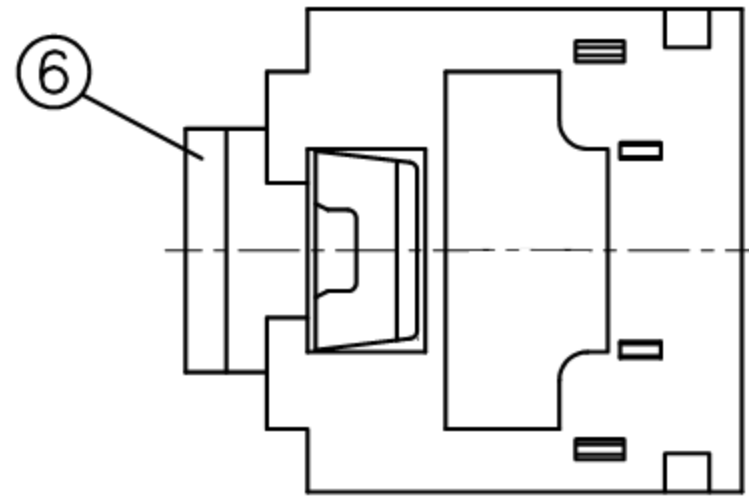
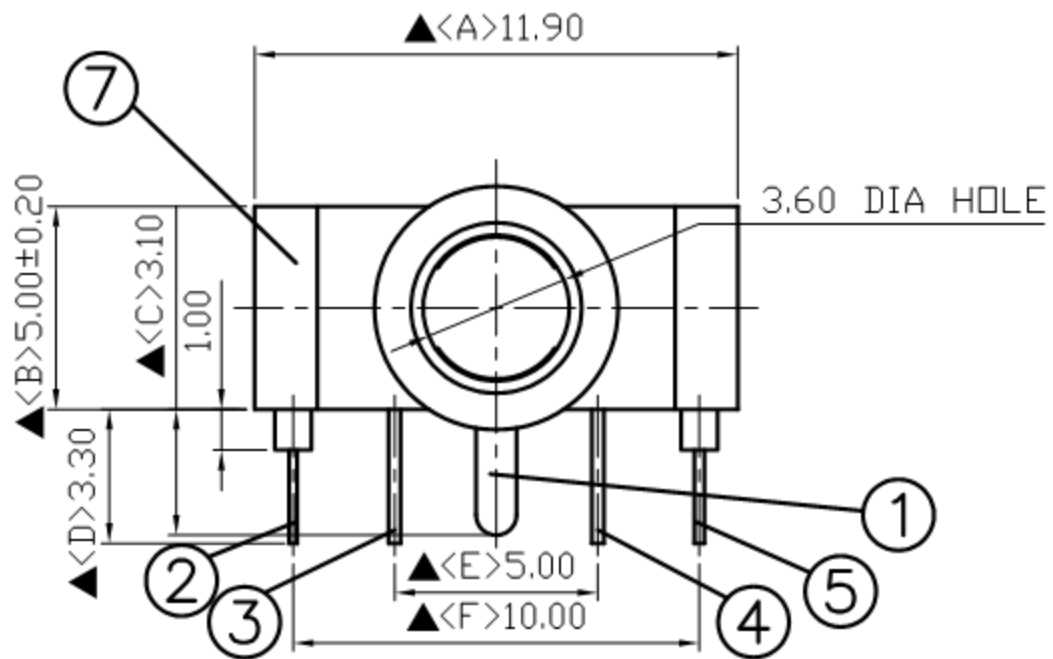


SCHEMATIC	
MODEL NO	U



Pin Hole Layout
(Jack Bottom View)

7.	Housing	PBT	3	Black Color
6.	Barrel	Brass	1	Nickel Plated
5.	Tip Spring	0.25T TicuR1-M-EH	1	Silver Plated
4.	Break Terminal	0.3T Brass	1	Silver Plated
3.	Break Terminal	0.3T Brass	1	Silver Plated
2.	Ring Spring	0.2T TicuR1-M-EH	1	Silver Plated
1.	Earth Terminal	0.2T Phosphor Bronze	1	Silver Plated
NO.	Description	Material	Q'TY	Finish

	广东科斯达电子科技有限公司 GUANG DONG KE SI DA ELECTRONIC TECHNOLOGY CO., LTD.	DATE	DWN	CHKD	APVD	MANAGER
		10.10.2011				

PART NAME: 3.5φ PHONE JACK	PART NUMBER: SCJ355R1NUS0B00G	VERSION:4.0
TOLERANCE :±0.3mm UNLESS OTHERWISE SPECIFIED	UNIT:mm	SCALE:1/1

SPECIFICATIONS:
 Contact Resistance : 30mΩ max
 Insulation Resistance : 100MΩ min. at DC 500V
 Dielectric Withstanding Voltage: AC 500V for one minute
 Remark: ▲: The Most Important Dimension

RoHS
Compliant

For Reference
僅供參考