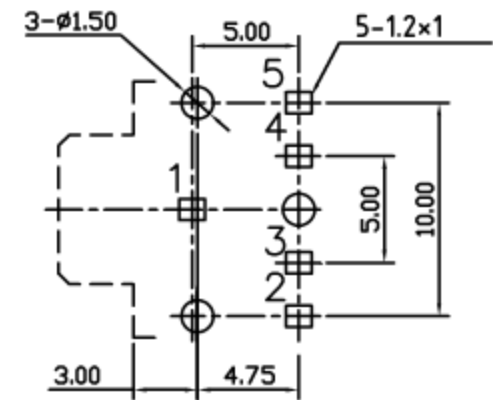
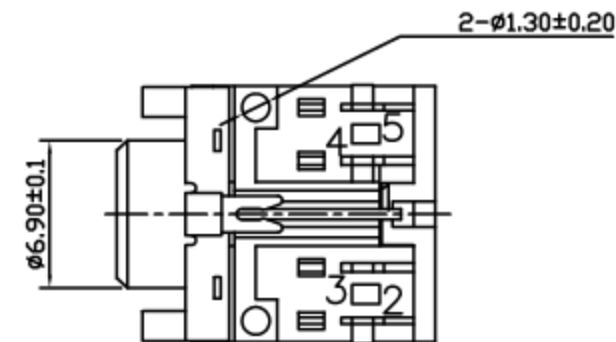


DETAIL "A"(1:1)



Pin Hole Layout
(Jack Bottom View)

6.	Panel Ground	0.20T Stainless Steel	1	
5.	Cover	PBT	1	701C, Pink Color
4.	Housing	PBT	1	701C, Pink Color
3.	Tip Spring	0.25T Phosphor Copper	1	Silver Plated
2.	Ring Spring	0.3T Phosphor Copper	1	Silver Plated
1.	Earth Terminal	0.5T Bronze	1	Silver Plated
NO.	Description	Material	Q'TY	Finish

 广东科斯达电子科技有限公司 GUANG DONG KE SI DA ELECTRONIC TECHNOLOGY CO., LTD.	DATE	DWN	CHKD	APVD	MANAGER
	10.10.2011				

PART NAME : 3.5φ PHONE JACK	PART NUMBER: SCJ363P00US0P04G	VERSION: 2.0
TOLERANCE : ±0.3mm UNLESS OTHERWISE SPECIFIED		SCALE: 1/1

SPECIFICATIONS:
 Contact Resistance : 30mΩ max
 Insulation Resistance : 100MΩ min. at DC 500V
 Dielectric Withstanding Voltage: AC 500V for one minute
 Remark: ▲: The Most Important Dimension

RoHS
Compliant

For Reference
僅供參考