

SCHEMATIC	
MODEL NO	A

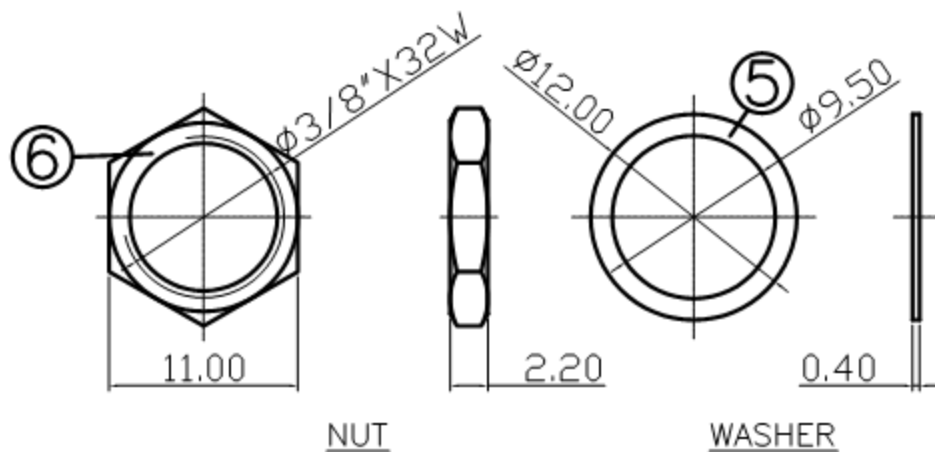
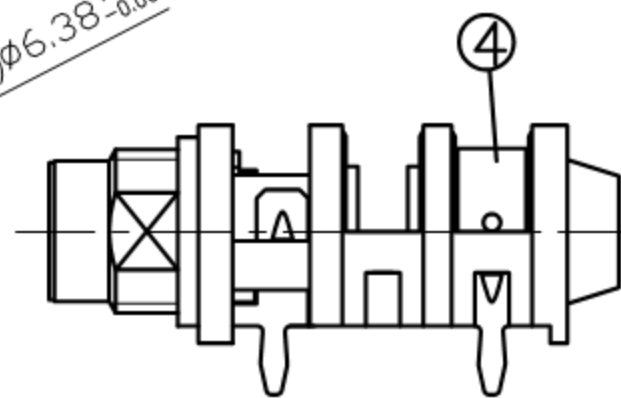
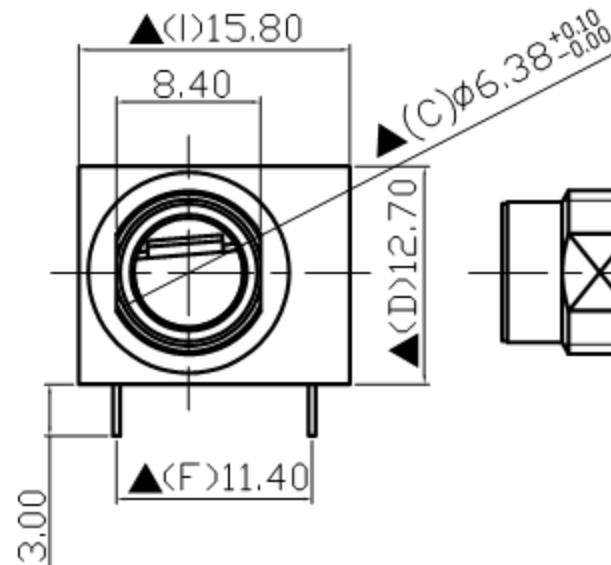
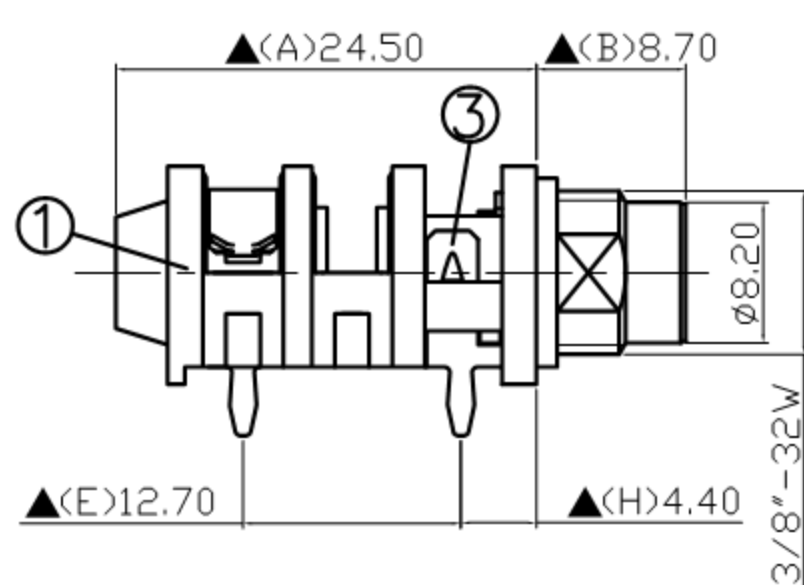
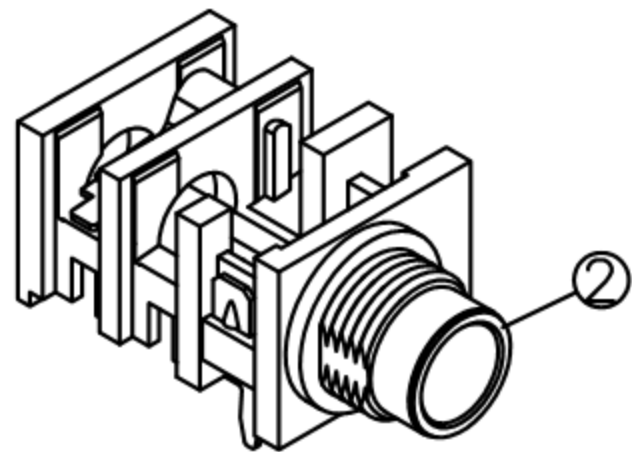
A

B

C

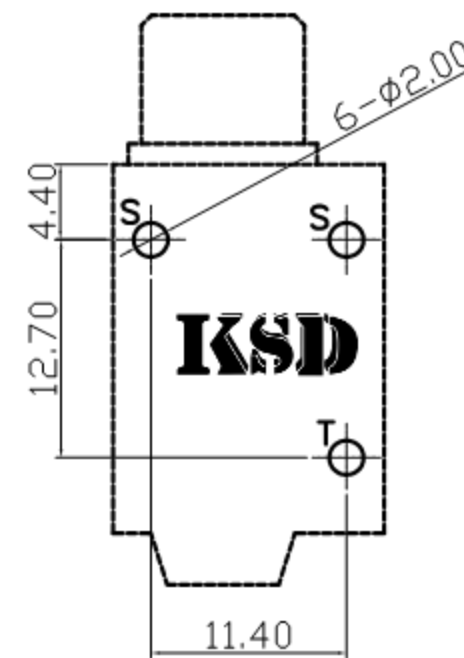
D

E



NUT

WASHER

Pin Hole Layout
(Jack Bottom View)

6.	Nut	2.2T Brass	1	Nickel Plated
5.	Washer	0.4T Brass	1	Nickel Plated
4.	Tip Spring	0.4T Phosphor Bronze	1	Silver Plated
3.	Sleeve Shunt	0.4T Bronze	1	Silver Plated
2.	Barrel	Brass	1	Nickel Plated
1.	Housing	PA66	1	Black Color
NO.	Description	Material	Q'TY	Finish

广东科斯达电子科技有限公司
GUANG DONG KE SI DA ELECTRONIC TECHNOLOGY CO., LTD.

DATE	DWN	CHKD	APVD	MANAGER
10.12.2011				

PART NAME : 6.3φ PHONE JACK	PART NUMBER: SCJ636R0NAS4BP0G	VERSION: 1.0
-----------------------------	-------------------------------	--------------

TOLERANCE : ±0.3mm UNLESS OTHERWISE SPECIFIED	UNIT: mm	SCALE: 1/1
---	----------	------------

SPECIFICATIONS:
 Contact Resistance : 30mΩ max
 Insulation Resistance : 100MΩ min. at DC 500V
 Dielectric Withstand Voltage : AC 500V for one minute
 Remark: ▲ : The Most Important Dimension

RoHS
Pb Free Process

For Reference
僅供參考