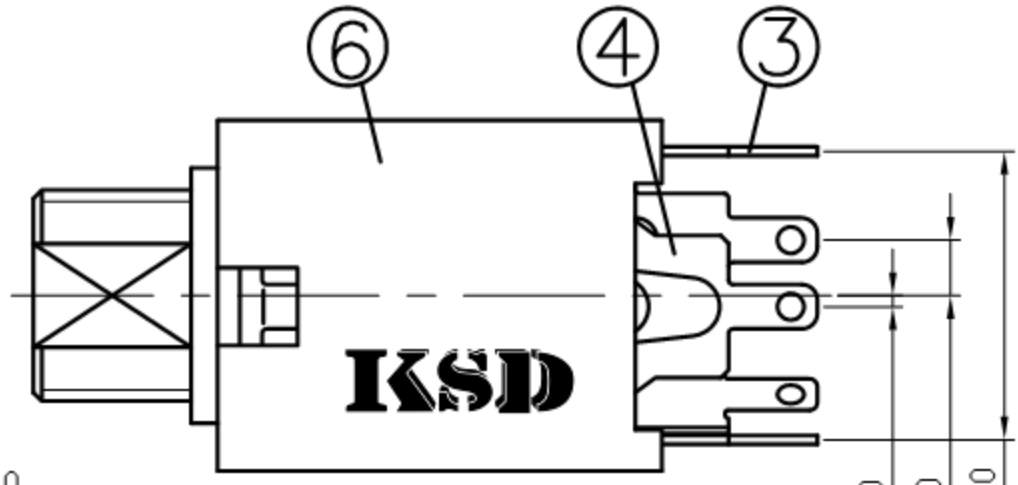
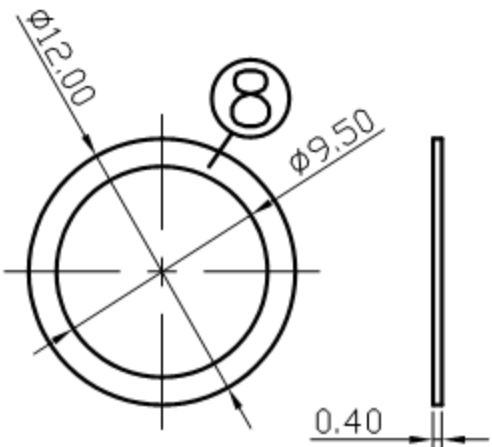


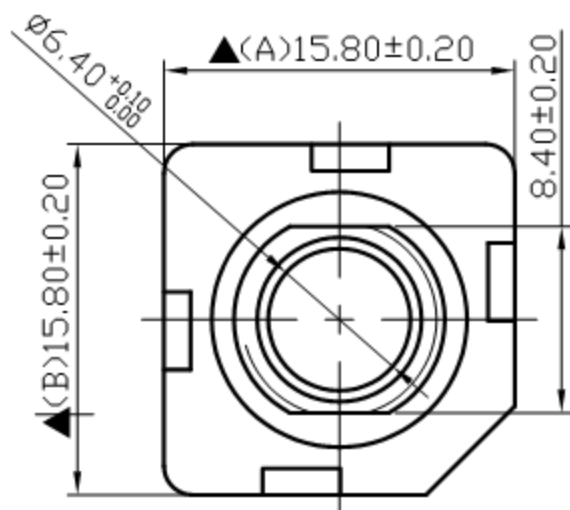
NUT



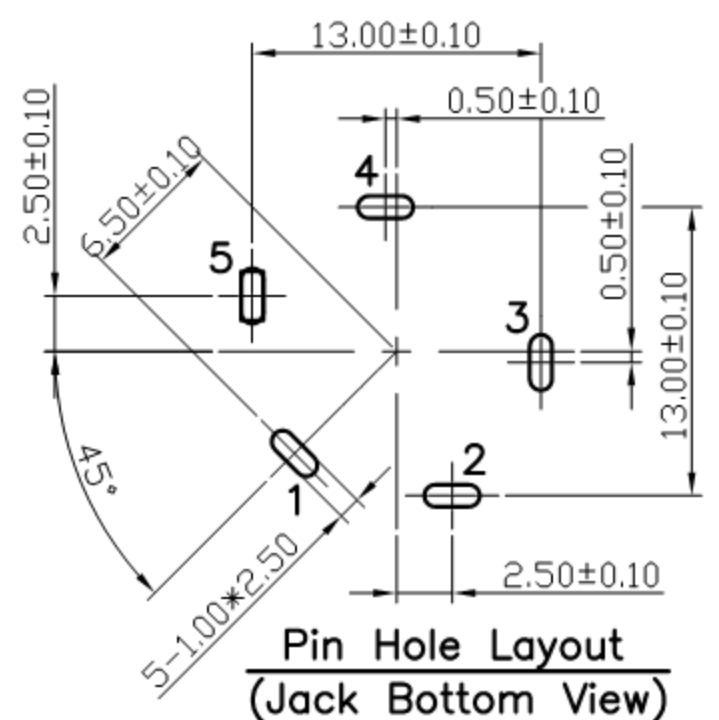
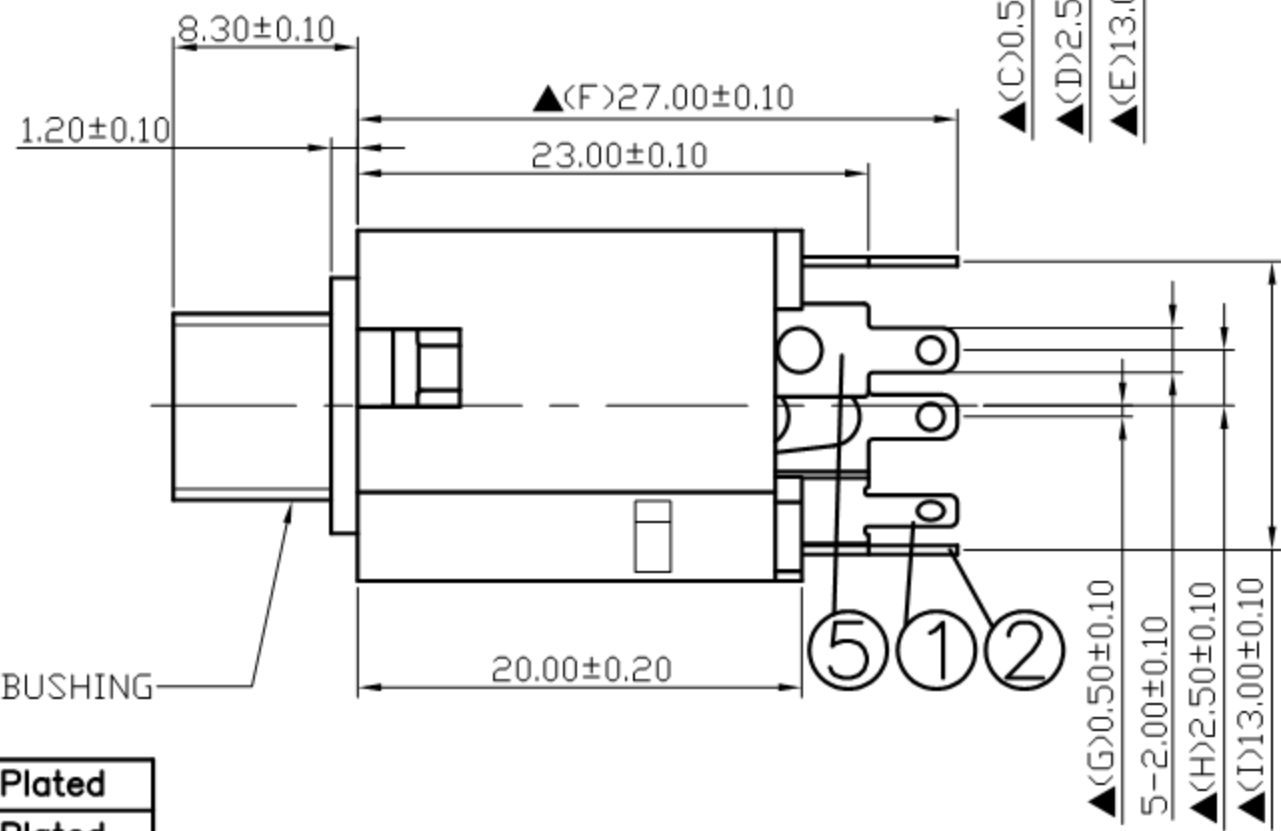
▲(C)0.50±0.10
▲(D)2.50±0.10
▲(E)13.00±0.10



WASHER



$\phi 3/8 \times 32W$ PLASTIC BUSHING



8.	Washer	0.4T Brass	1	Nickel Plated
7.	Nut	2.2T Brass	1	Nickel Plated
6.	Housing	PBT	1	Black Color
5.	Ring Shunt	0.4T Brass	1	Silver Plated
4.	Ring Spring	0.4T Phosphor Bronze	1	Silver Plated
3.	Tip Spring	0.4T Phosphor Bronze	1	Silver Plated
2.	Tip Shunt	0.4T Brass	1	Silver Plated
1.	Earth Terminal	0.4T Brass	1	Silver Plated
NO.	Description	Material	Q'TY	Finish

	广东科斯达电子科技有限公司 GUANG DONG KE SI DA ELECTRONIC TECHNOLOGY CO., LTD.	DATE	DWN	CHKD	APVD	MANAGER
		10.12.2011				

RoHS
Compliant

For Reference
僅供參考

PART NAME :6.3φ PHONE JACK	PART NUMBER:SCJ649P20US4B00G	VERSION:3.0
TOLERANCE :±0.3mm UNLESS OTHERWISE SPECIFIED	UNIT:mm	SCALE:1/1

SPECIFICATIONS:
 Contact Resistance : 30mΩ max
 Insulation Resistance : 100MΩ min. at DC 500V
 Dielectric Withstand Voltage : AC 500V for one minute
 Remark: ▲: The Most Important Dimension