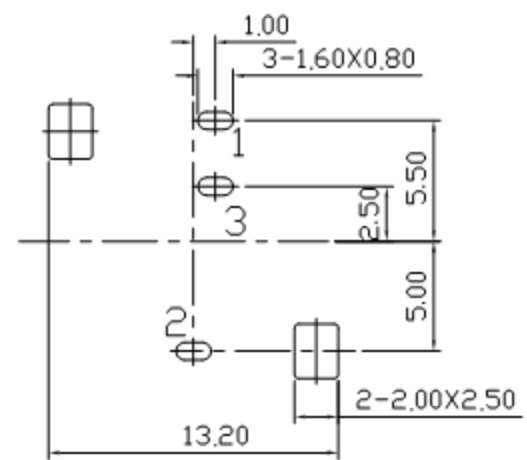
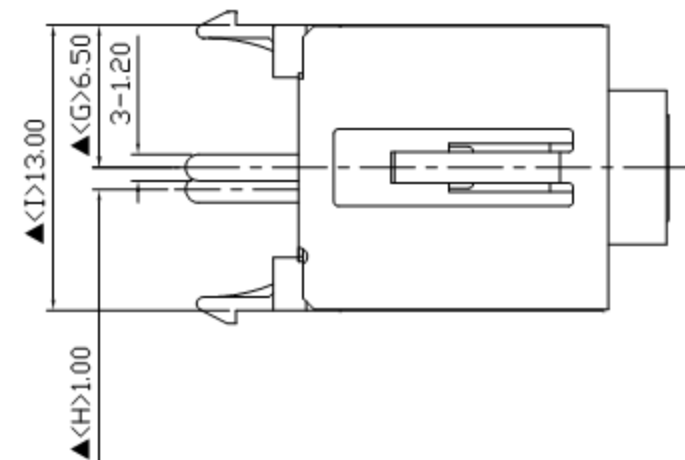
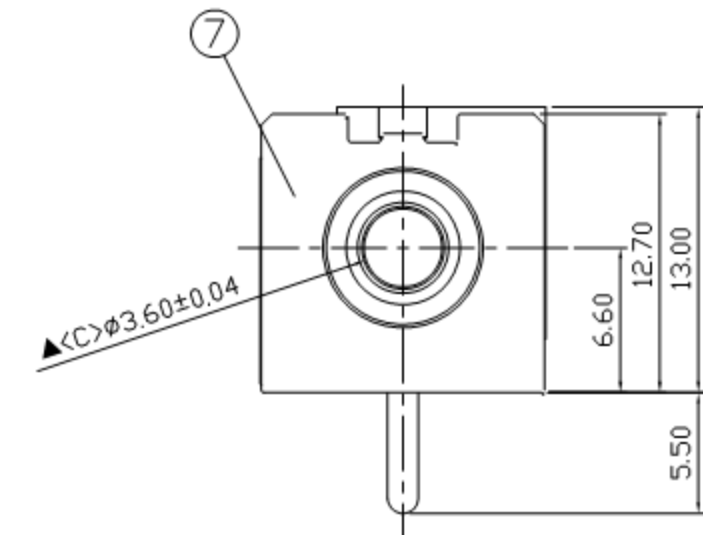
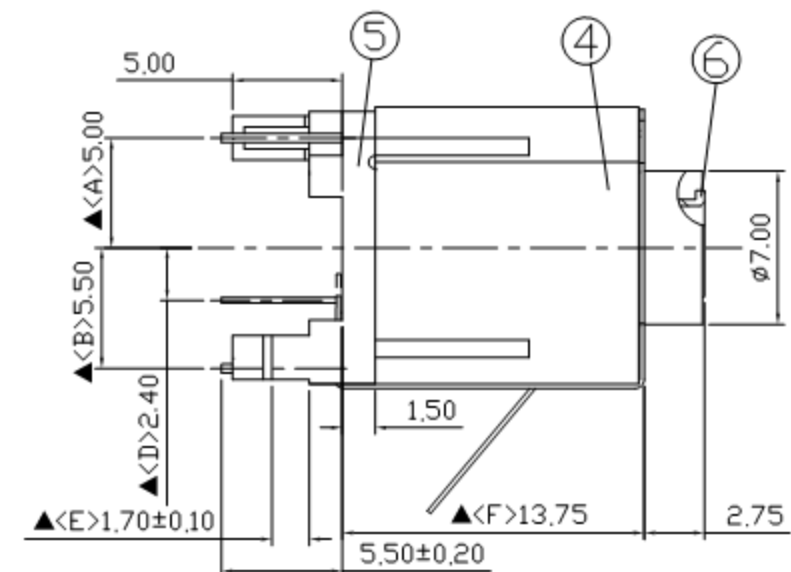
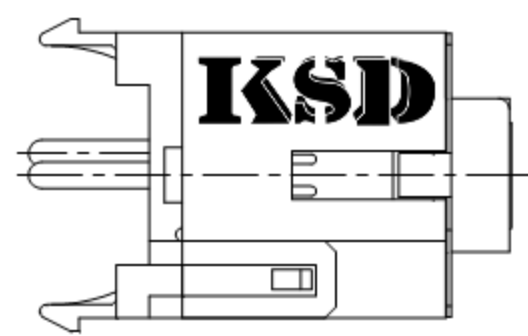
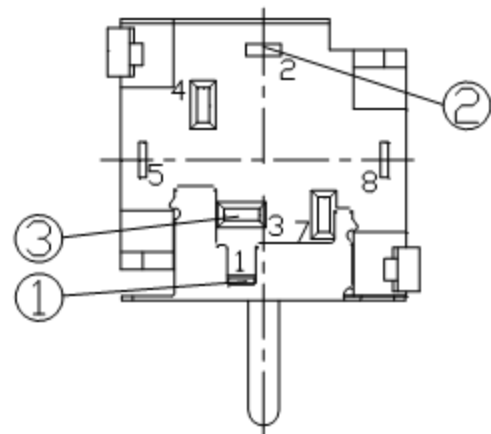


SCHEMATIC	
MODEL NO.	A



7.	Metal Plate	0.2T Phosphor Bronze	1	Nickel Plated
6.	Barrel	Low lead Brass Rod	1	Nickel Plated
5.	Back Cover	PBT	1	577C Green Color
4.	Housing	PBT	1	577C Green Color
3.	Ring Spring	0.25T Phosphor Bronze	1	Silver Plated
2.	Tip Spring	0.35T Phosphor Bronze	1	Silver Plated
1.	Earth Spring	0.25T Phosphor Bronze	1	Silver Plated
NO.	Description	Material	Q'TY	Finish

广东科斯达电子科技有限公司 GUANG DONG KE SI DA ELECTRONIC TECHNOLOGY CO., LTD.	DATE	DWN	CHKD	APVD	MANAGER
	09.16.2020	王平華			

PART NAME : 3.5φ PHONE JACK	PART NUMBER : SCJ339RONASOG04L	VERSION: 1.0
TOLERANCE : ±0.3mm UNLESS OTHERWISE SPECIFIED		UNIT: mm
		SCALE: 1/1

SPECIFICATIONS:
 Contact Resistance : 30mΩ max
 Insulation Resistance : 100MΩ min. at DC 500V
 Dielectric Withstand Voltage : AC 500V for one minute
 Remark: ▲ : The Most Important Dimension

For Reference
 僅供參攷

**RoHS&SVHC
 Compliant**