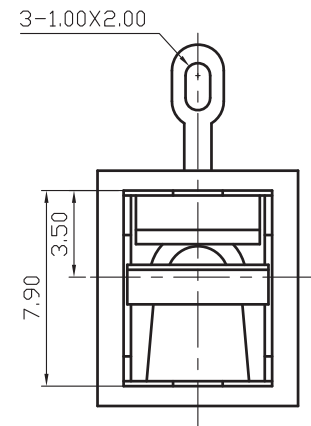
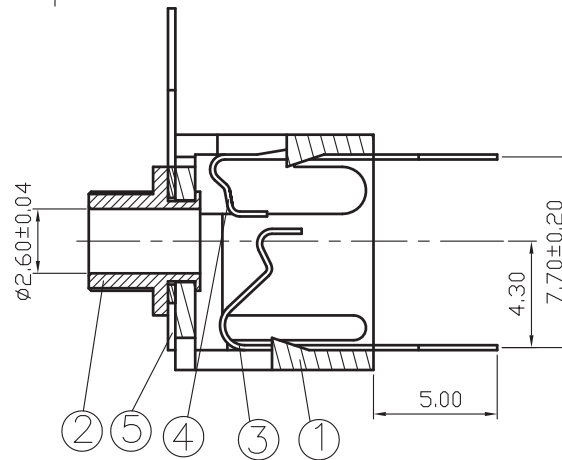
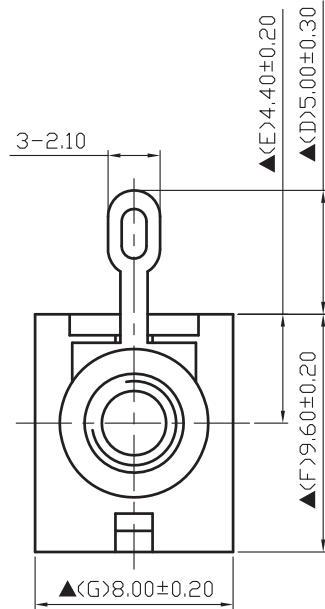
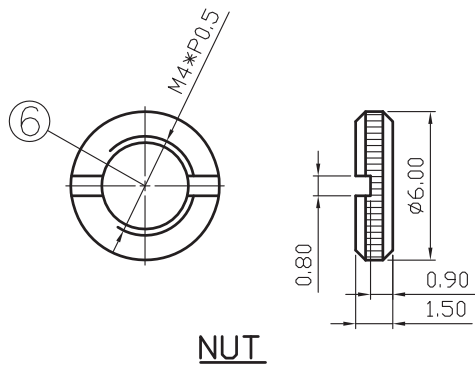
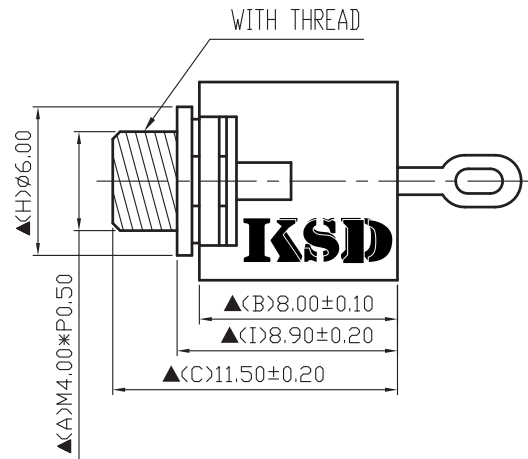


SCHEMATIC	
MODEL NO	X



6.	Nut	1.5T Low lead Brass Rod	1	Nickel Plated
5.	Earth Terminal	0.3T Brass	1	Silver Plated
4.	Ring Spring	0.2T Phosphor Bronze	1	Silver Plated
3.	Tip Spring	0.2T Phosphor Bronze	1	Silver Plated
2.	Barrel (W/Thread)	Low lead Brass Rod	1	Nickel Plated
1.	Housing	POM	1	Black Color
NO.	Description	Material	Q'TY	Finish

	广东科斯达电子科技有限公司 GUANG DONG KE SI DA ELECTRONIC TECHNOLOGY CO., LTD.	DATE	DWN	CHKD	APVD	MANAGER
		07.24.2020	王平華			

PART NAME : 2.5φ PHONE JACK	PART NUMBER : SCJ211M1NXS1B00L	VERSION:1.0
-----------------------------	--------------------------------	-------------

TOLERANCE : ±0.3mm UNLESS OTHERWISE SPECIFIED	UNIT:mm		SCALE:/
---	---------	--	---------

For Redference
僅供參攷

RoHS&SVHC
Compliant

SPECIFICATIONS:
Contact Resistance : 30mΩ max
Insulation Resistance : 100MΩ min. at DC 500V
Dielectric Withstanding Voltage: AC 500V for one minute
Remark: ▲: The Most Important Dimension