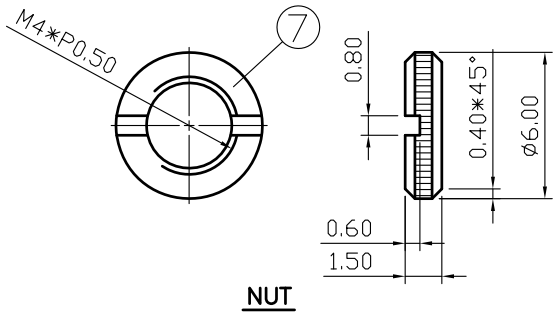
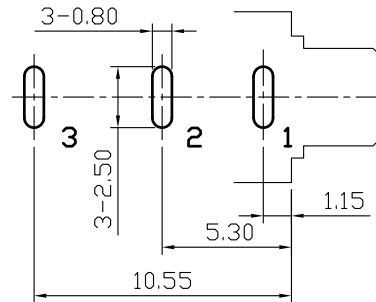
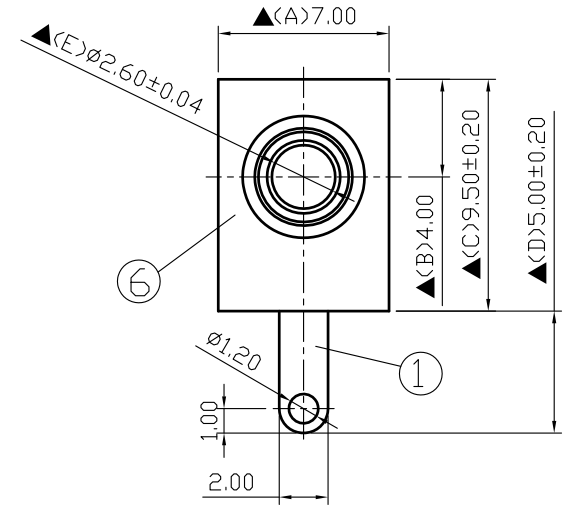
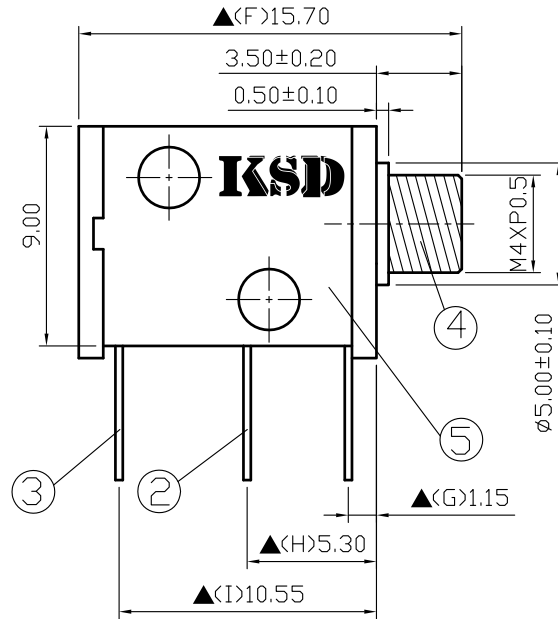


SCHEMATIC	
MODEL NO	Y



NUT



Pin Hole Layout
(Jack Bottom View)

7.	Nut	Low Lead Brass Rod	1	Nickel Plated
6.	Housing	PBT+30%	1	Black Color
5.	Cover	PBT+30%	1	Black Color
4.	Barrel	Low Lead Brass Rod	1	Nickel Plated
3.	Break Terminal	0.3T Brass	1	Silver Plated
2.	Ring Spring	0.25T Phosphor Bronze	1	Silver Plated
1.	Earth Terminal	0.3T Brass	1	Silver Plated
NO.	Description	Material	Q'TY	Finish

For Redference
僅供參考

RoHS&SVHC
Compliant

	广东科斯达电子科技有限公司		DATE	DWN	CHKD	APVD	MANAGER
	GUANG DONG KE SI DA ELECTRONIC TECHNOLOGY CO., LTD.		06.16.2021	王平華			

PART NAME :2.5φ PHONE JACK	PART NUMBER: SCJ220M1NYS1B00L	VERSION:2.0
TOLERANCE :±0.3mm UNLESS OTHERWISE SPECIFIED	UNIT:mm	SCALE:/

SPECIFICATIONS:
Contact Resistance : 30mΩ max
Insulation Resistance : 100MΩ min. at DC 500V
Dielectric Withstanding Voltage: AC 500V for one minute
Remark: ▲: The Most Important Dimension