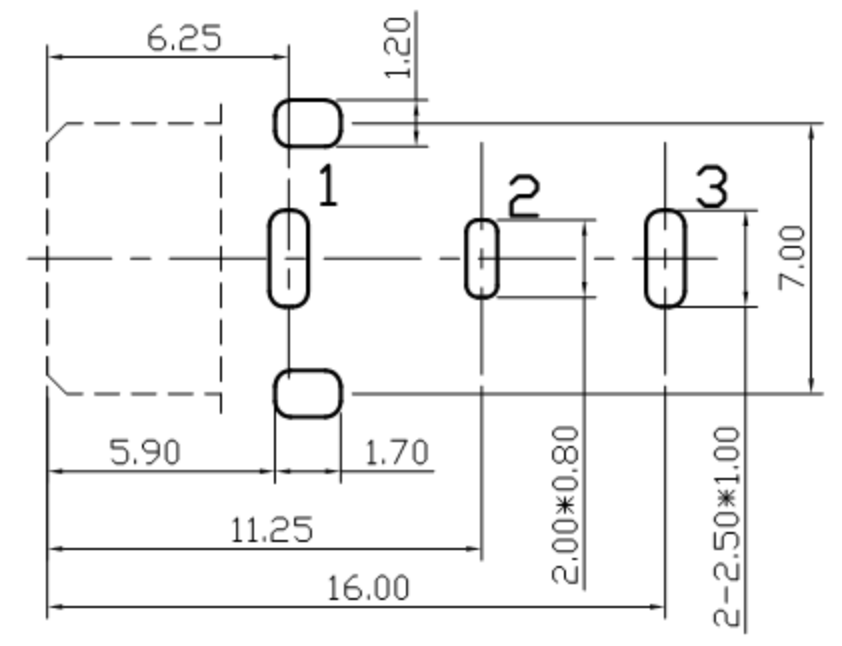


5.	Metal Shell	0.2 Phosphor Bronze	1	Light TIN Plated
4.	Ring Spring	0.5 Brass	1	Silver Plated
3.	Tip Spring	0.2 Phosphor Bronze	1	Silver Plated
2.	Sleeve Spring	0.5 Brass	1	Silver Plated
1.	Housing	PBT	1	284C Blue Color
NO.	Description	Material	Q'TY	Finish

广东科斯达电子科技有限公司 GUANG DONG KE SI DA ELECTRONIC TECHNOLOGY CO., LTD.	DATE	DWN	CHKD	APVD	MANAGER
	09.16.2020	王平華			

PART NAME: 3.5φ PHONE JACK	PART NUMBER : SCJ337P00XS1UN4G	VERSION: 4.0
TOLERANCE : ±0.3mm UNLESS OTHERWISE SPECIFIED		UNIT: mm
		SCALE: 1/1



Pin Hole Layout
Jack Bottom View

SPECIFICATIONS:
 Contact Resistance : 30mΩ max
 Insulation Resistance : 100MΩ min. at DC 500V
 Dielectric Withstanding Voltage: AC 500V for one minute
 Remark: ▲: The Most Important Dimension

For Reference
 備供參攷

RoHS&SVHC
 Compliant