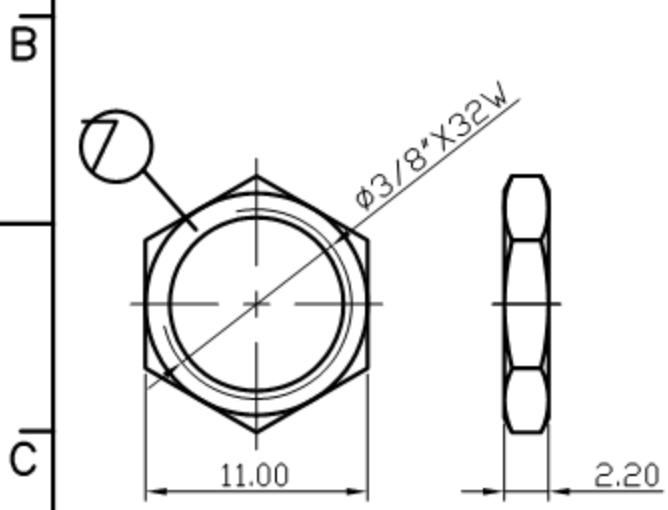
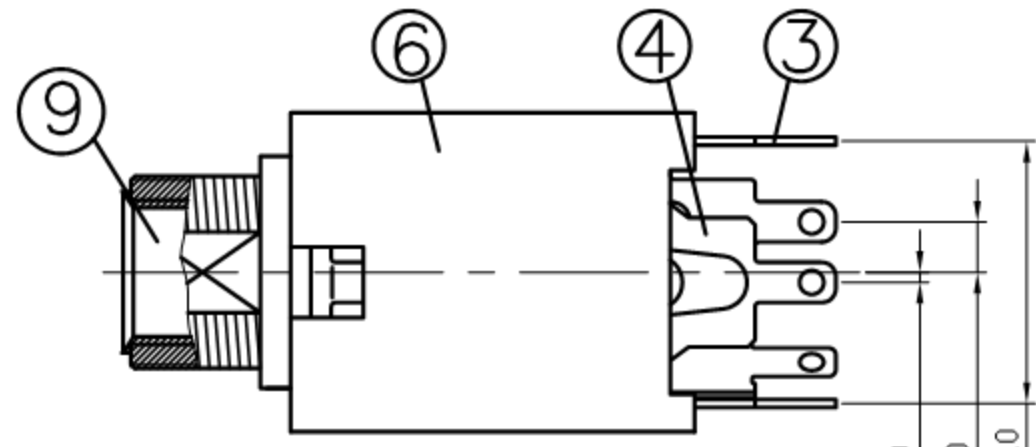
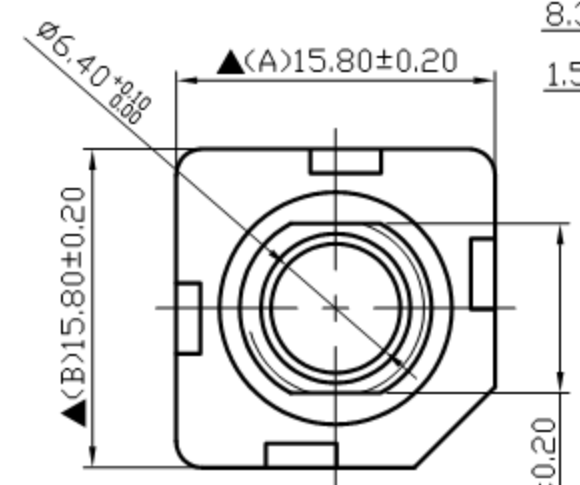


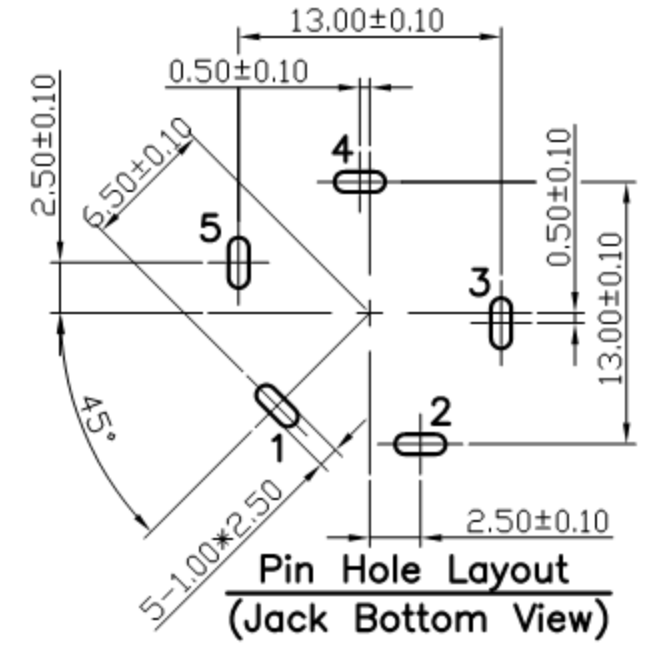
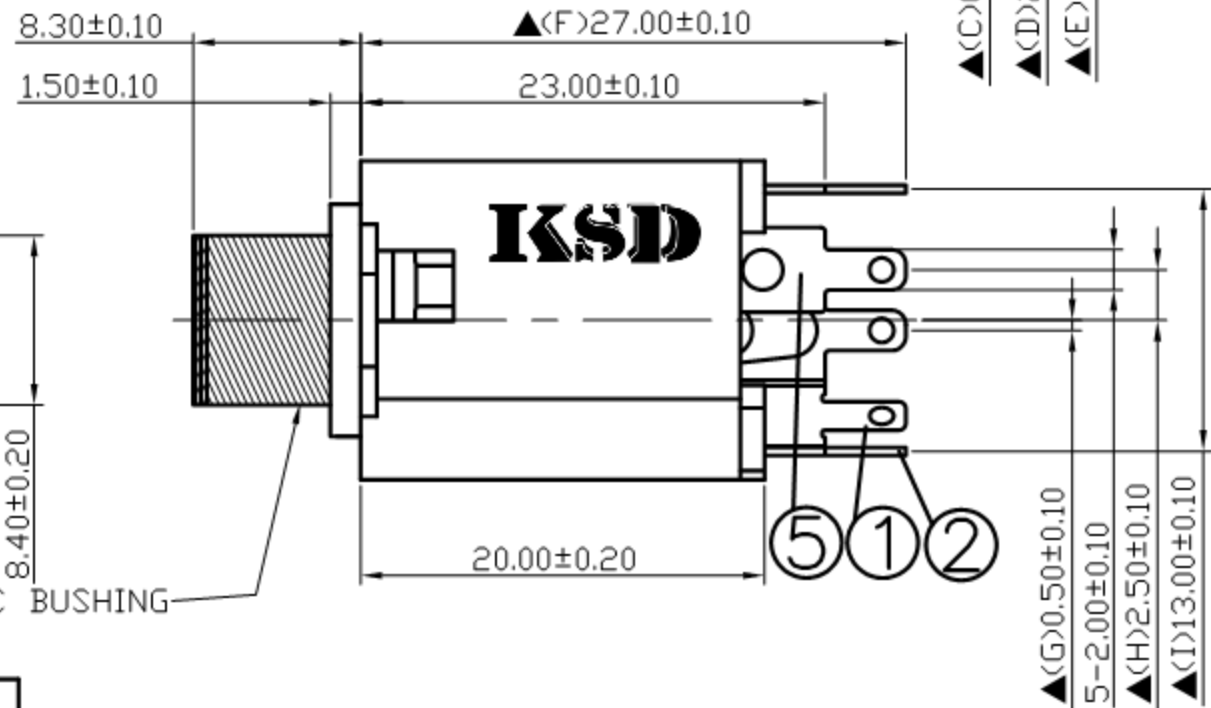
WASHER



NUT



$\phi 3/8 \times X32W$ PLASTIC BUSHING



9.	Bushing	Brass	1	Nickel Plated
8.	Washer	0.4T Brass	1	Nickel Plated
7.	Nut	2.2T Brass	1	Nickel Plated
6.	Housing	PBT	1	Black Color
5.	Ring Shunt	0.4T Brass	1	Silver Plated
4.	Ring Spring	0.4T Phosphor Bronze	1	Silver Plated
3.	Tip Spring	0.4T Phosphor Bronze	1	Silver Plated
2.	Tip Shunt	0.4T Brass	1	Silver Plated
1.	Earth Terminal	0.4T Brass	1	Silver Plated
NO.	Description	Material	Q'TY	Finish

广东科斯达电子科技有限公司
GUANG DONG KE SI DA ELECTRONIC TECHNOLOGY CO., LTD.

DATE	DWN	CHKD	APVD	MANAGER
10.12.2011				

PART NAME :6.3 ϕ PHONE JACK **PART NUMBER**:SCJ649R6NUS4B00G **VERSION**:2.0

TOLERANCE : ± 0.3 mm UNLESS OTHERWISE SPECIFIED **UNIT**:mm **SCALE**:1/1

SPECIFICATIONS:
 Contact Resistance : 30m Ω max
 Insulation Resistance : 100M Ω min. at DC 500V
 Dielectric Withstand Voltage : AC 500V for one minute
 Remark: ▲: The Most Important Dimension

RoHS Compliant For Reference 僅供參考