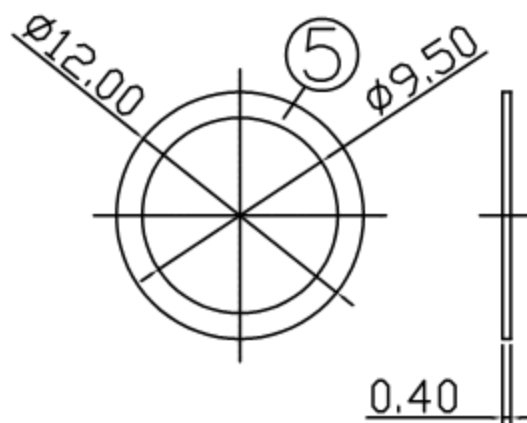
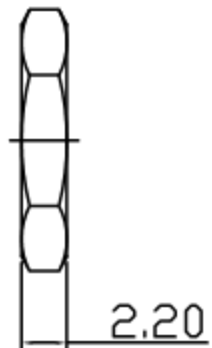
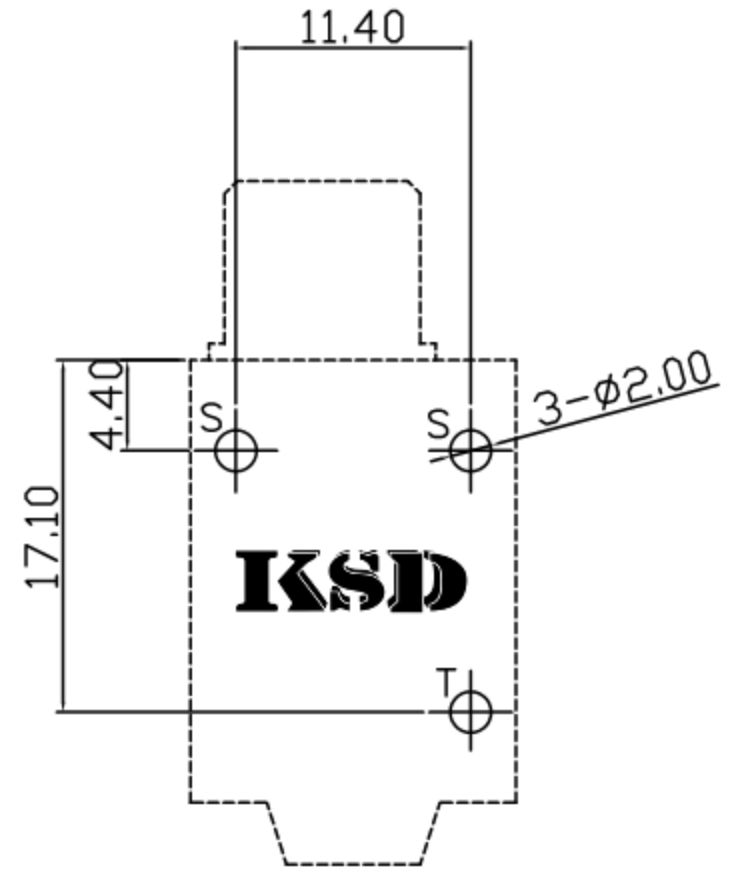
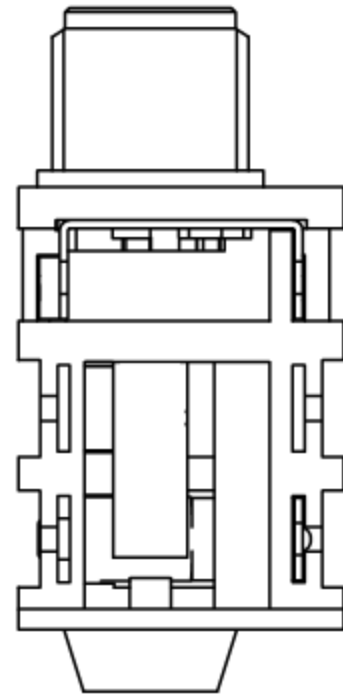


NUT



WASHER



Pin Hole Layout
(Jack Bottom View)

6.	Nut	2.2T Brass	1	Nickel Plated
5.	Washer	0.4T Brass	1	Nickel Plated
4.	Tip Spring	0.4T Phosphor Bronze	1	Silver Plated
3.	Sleeve Shunt	0.4T Bronze	1	Silver Plated
2.	Barrel	Brass	1	Nickel Plated
1.	Housing	PA66	1	Black Color
NO.	Description	Material	Q'TY	Finish

	广东科斯达电子科技有限公司 GUANG DONG KE SI DA ELECTRONIC TECHNOLOGY CO., LTD.	DATE	DWN	CHKD	APVD	MANAGER
		10.12.2011				

PART NAME : 6.3φ PHONE JACK	PART NUMBER: SCJ636M1NAS4BPOG	VERSION: 4.0
-----------------------------	-------------------------------	--------------

TOLERANCE : ±0.3mm UNLESS OTHERWISE SPECIFIED	UNIT: mm	SCALE: /
---	----------	----------

SPECIFICATIONS:
 Contact Resistance : 30mΩ max
 Insulation Resistance : 100MΩ min. at DC 500V
 Dielectric Withstanding Voltage: AC 500V for one minute
 Remark: ▲: The Most Important Dimension

RoHS
Pb Free Process

For Reference
僅供參考