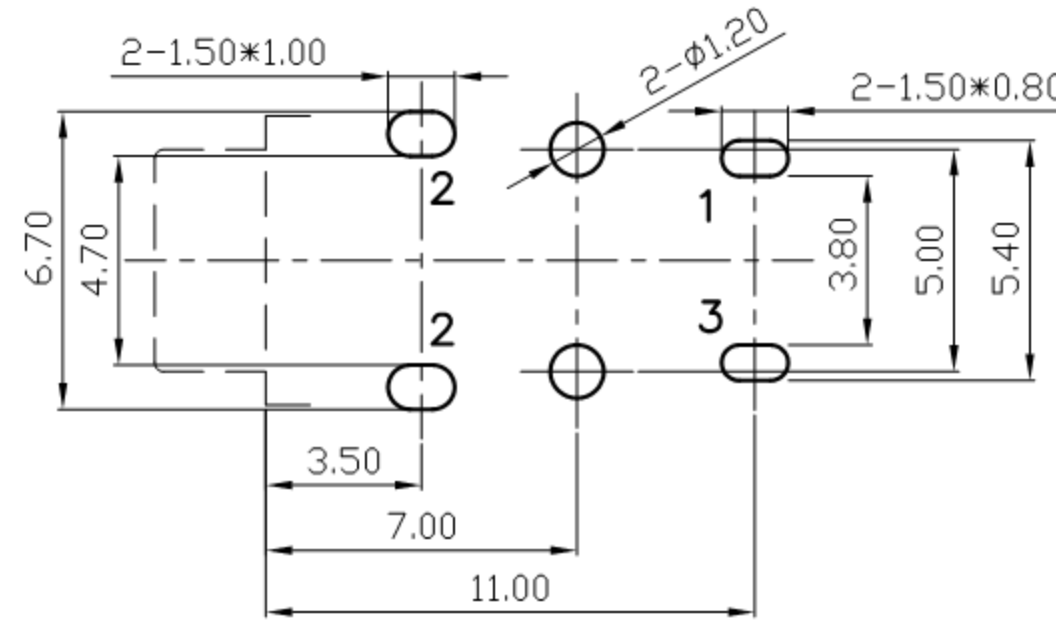
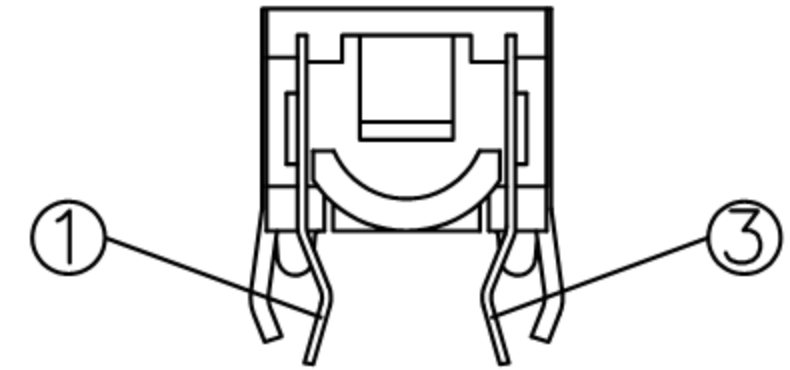
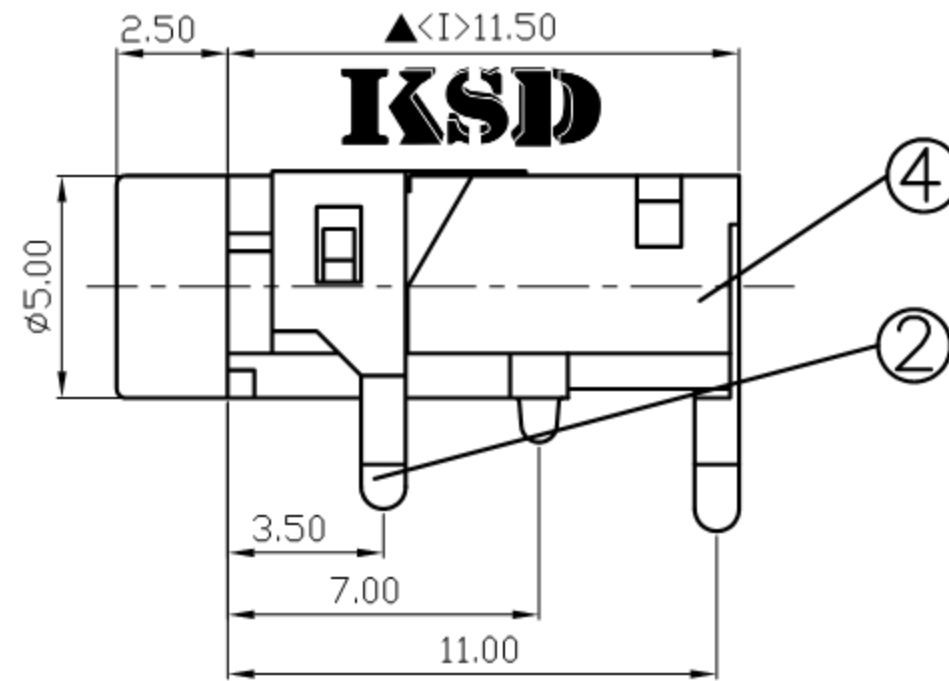
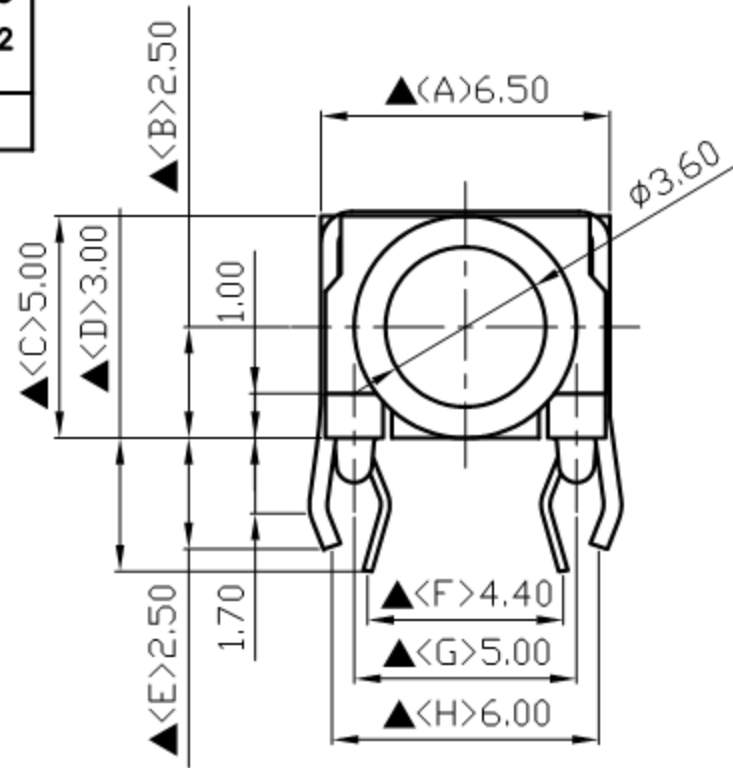


SCHEMATIC		
Code No:	X	



4.	Housing	PBT+15%G	1	Black Color
3.	Ring Spring	0.2T Phosphor Bronze	1	Silver Plated
2.	Tip Spring	0.4T Phosphor Bronze	1	Silver Plated
1.	Earth Terminal	0.2T Phosphor Bronze	1	Silver Plated
NO.	Description	Material	Q'TY	Finish

广东科斯达电子科技有限公司
 GUANG DONG KE SI DA ELECTRONIC TECHNOLOGY CO., LTD.

DATE	DWN	CHKD	APVD	MANAGER
12.07.2011				

RoHS Compliant For Reference
 僅供參考

PART NAME : 3.5φ PHONE JACK PART NUMBER: SCJ370P00XS0B00G VERSION:1.0

TOLERANCE :±0.3mm UNLESS OTHERWISE SPECIFIED UNIT:mm SCALE:1/1

SPECIFICATIONS:
 Contact Resistance : 30mΩ max
 Insulation Resistance : 100MΩ min. at DC 500V
 Dielectric Withstanding Voltage: AC 500V for one minute
 Remark: ▲: The Most Important Dimension