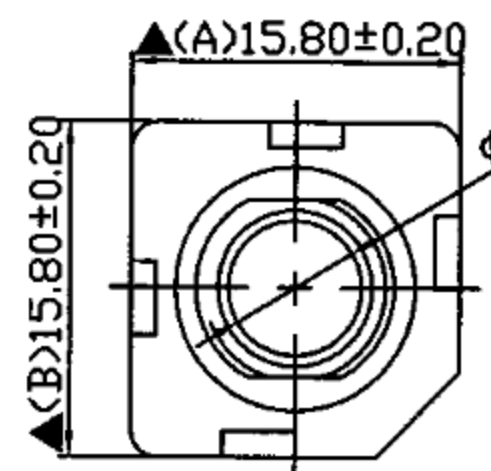
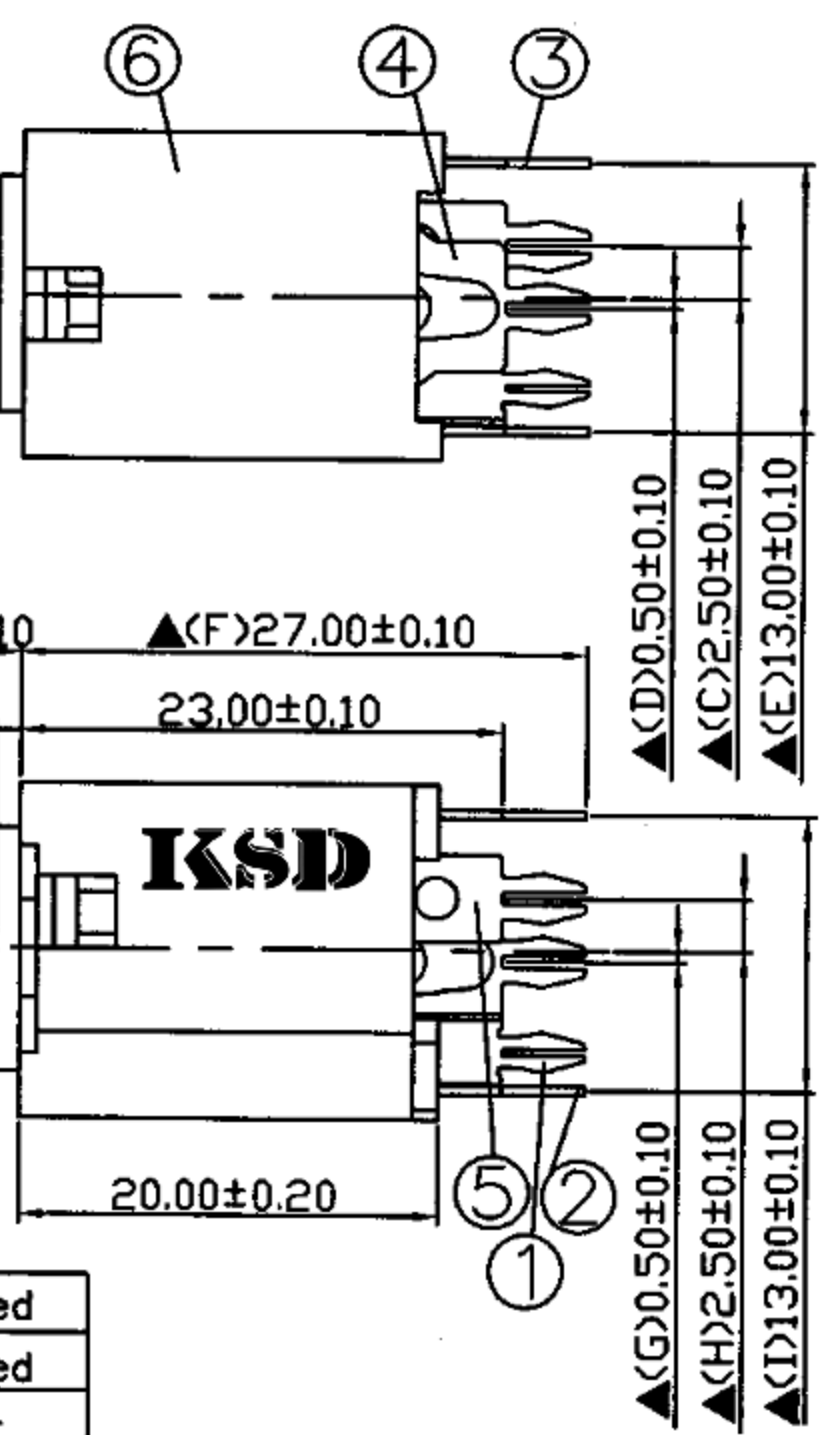
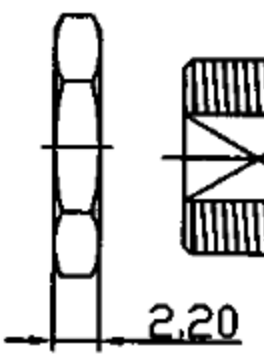
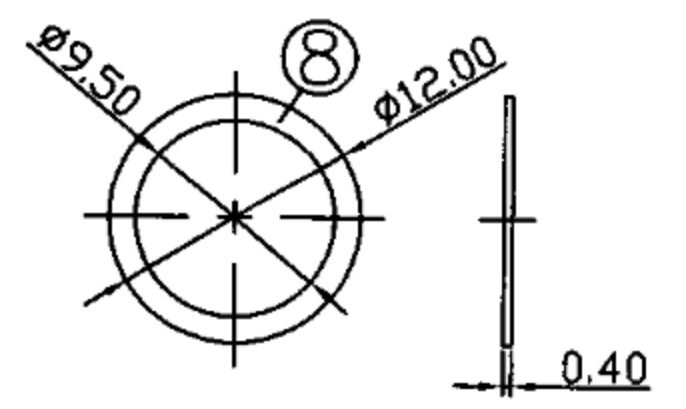


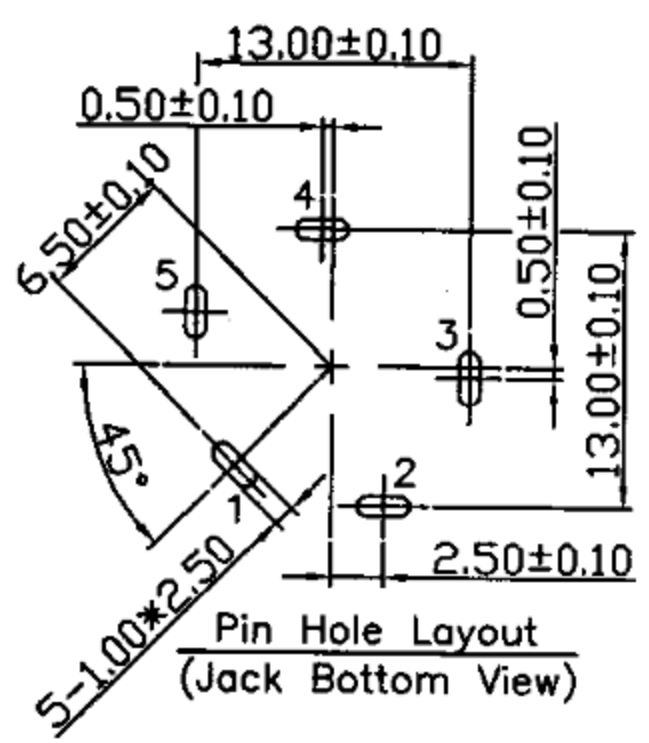
Nut



$\phi 3/8 \times 32W$ PLASTIC BUSHING



Washer



Pin Hole Layout
(Jack Bottom View)

| 8. | Washer | 0.4T Brass | 1 | Nickel Plated |
|-----|----------------|----------------------|------|---------------|
| 7. | Nut | 2.2T Brass | 1 | Nickel Plated |
| 6. | Housing | PBT | 1 | Black Color |
| 5. | Ring Shunt | 0.4T Brass | 1 | Silver Plated |
| 4. | Ring Spring | 0.4T Phosphor Bronze | 1 | Silver Plated |
| 3. | Tip Spring | 0.4T Phosphor Bronze | 1 | Silver Plated |
| 2. | Tip Shunt | 0.4T Brass | 1 | Silver Plated |
| 1. | Earth Terminal | 0.4T Brass | 1 | Silver Plated |
| NO. | Description | Material | Q'TY | Finish |

| | | | | | | |
|--|-----------------------------------------------------------------------------|-----------|-----|------|------|---------|
| | 广东科斯达电子科技有限公司 GUANG DONG KE SI DA ELECTRONIC TECHNOLOGY CO., LTD. | DATE | DWN | CHKD | APVD | MANAGER |
| | | 2.08.2005 | 鄧華香 | 李若 | 李若 | 黃振文 |

| | | |
|-----------------------------------------------------|-------------------------------|--------------|
| PART NAME : 6.3 ϕ PHONE JACK | PART NUMBER: SCJ651P20US4B00G | VERSION: 2.0 |
| TOLERANCE : ± 0.3 mm UNLESS OTHERWISE SPECIFIED | UNIT: mm | SCALE: 1/1 |

SPECIFICATIONS:
 Contact Resistance : 30m Ω max
 Insulation Resistance : 100M Ω min. at DC 500V
 Dielectric Withstanding Voltage: AC 500V for one minute
 Remark: ▲: The Most Important Dimension