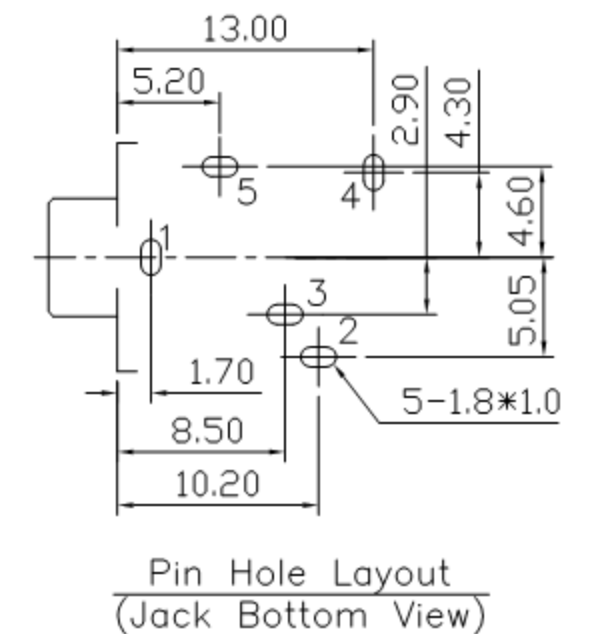
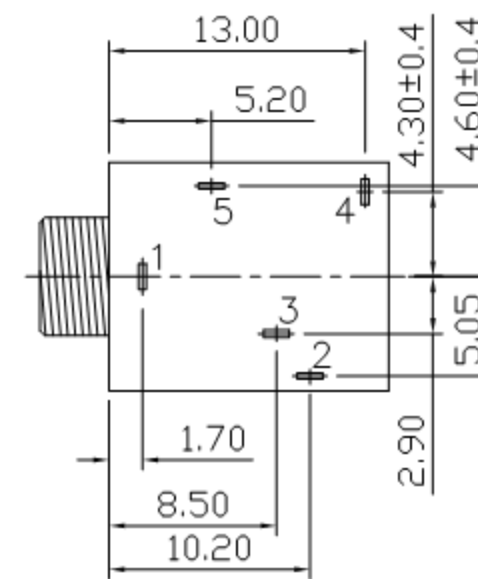


10.	NUT	Low lead Brass Rod	1	Nickel plated
9.	Spring	SUS-304	1	
8.	Cover	PC	1	Trans Parent
7.	Housing	POM	1	Black Color
6.	Barrel(W/Thread)	Low lead Brass Rod	1	Nickel plated
5.	Tip Spring	0.25T Phosphor Bronze	1	Silver Plated
4.	Break Terminal	0.4T Brass	1	Silver Plated
3.	Break Terminal	0.4T Brass	1	Silver Plated
2.	Ring Spring	0.25T Phosphor Bronze	1	Silver Plated
1.	Earth Terminal	0.4T Brass	1	Silver Plated
NO.	Description	Material	Q'TY	Finish



	广东科斯达电子科技有限公司 GUANG DONG KE SI DA ELECTRONIC TECHNOLOGY CO., LTD.	DATE	DWN	CHKD	APVD	MANAGER
		09.11.2020	王平華			

PART NAME: 3.5∅ PHONE JACK	PART NUMBER: SCJ354M1NUS1B00L	VERSION: 1.0
TOLERANCE : ±0.3mm UNLESS OTHERWISE SPECIFIED		UNIT: mm
		SCALE: 1/1

SPECIFICATIONS:
 Contact Resistance : 30mΩ max
 Insulation Resistance : 100MΩ min. at DC 500V
 Dielectric Withstanding Voltage: AC 500V for one minute
 Remark: ▲: The Most Important Dimension

For Reference
僅供參攷

RoHS&SVHC
Compliant