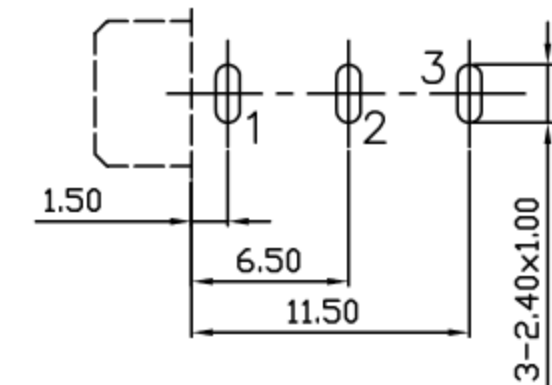
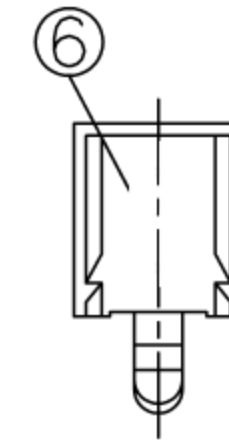
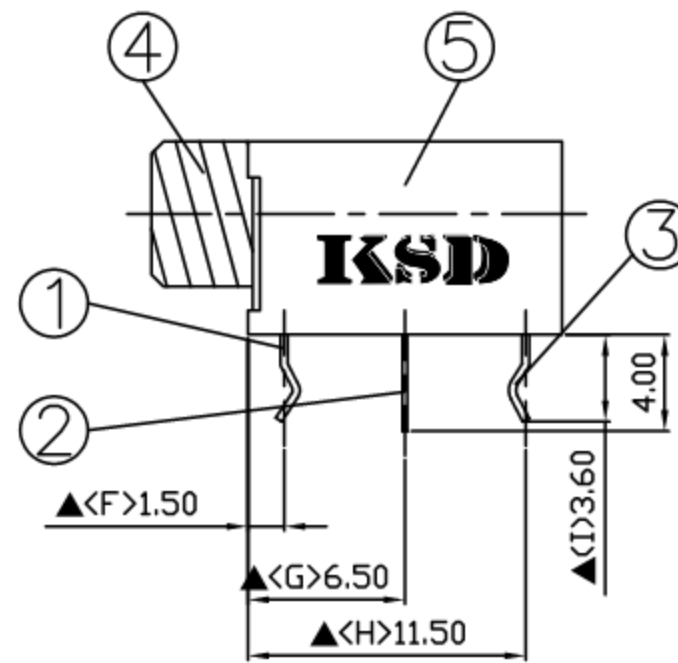
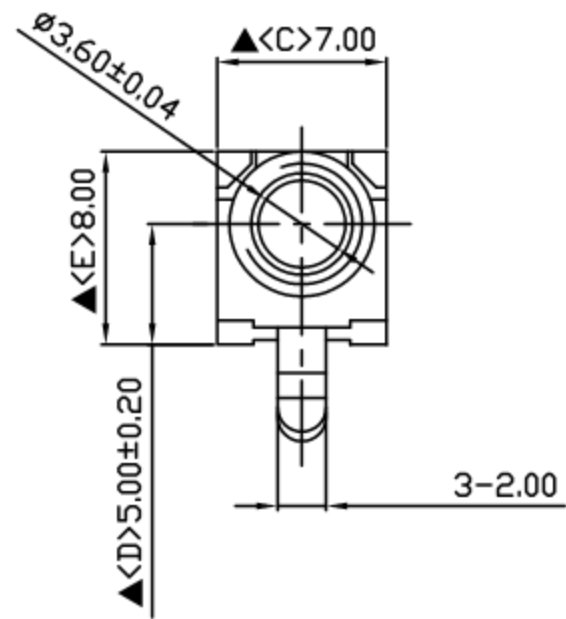
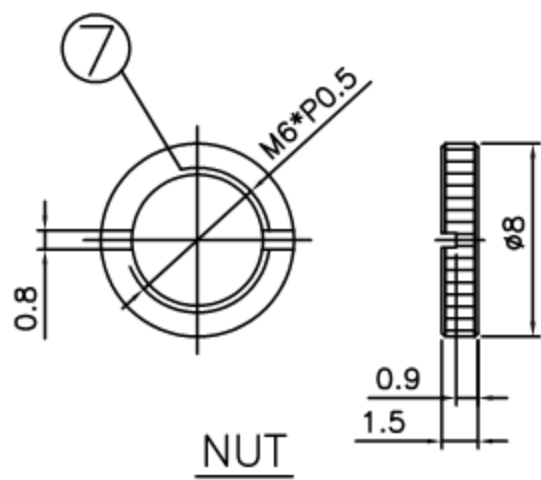
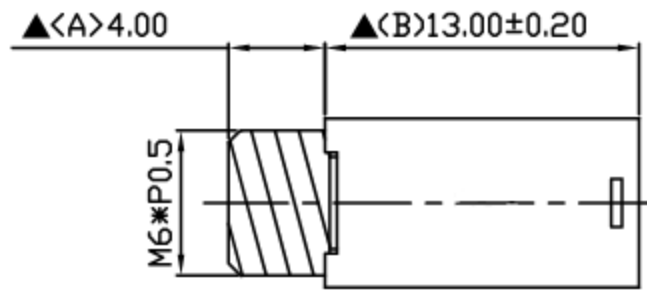


SCHEMATIC	
MODEL NO	Y



Pin Hole Layout
(Jack Bottom View)

7.	NUT	1.5T Brass	1	Nickel Plated
6.	Cover	POM	1	Black Color
5.	Housing	PBT	1	Black Color
4.	Barrel	Brass	1	Nickel Plated
3.	Break Terminal	0.3T Brass	1	Silver Plated
2.	Tip Spring	0.2T Phosphor Bronze	1	Silver Plated
1.	Earth Terminal	0.3T Brass	1	Silver Plated
NO.	Description	Material	Q'TY	Finish

	广东科斯达电子科技有限公司 GUANG DONG KE SI DA ELECTRONIC TECHNOLOGY CO., LTD.	DATE	DWN	CHKD	APVD	MANAGER
		10.10.2011				

PART NAME: 3.5 ϕ PHONE JACK	PART NUMBER: SCJ357M1NYS1B00G	VERSION:4.0
----------------------------------	-------------------------------	-------------

TOLERANCE : ± 0.3 mm UNLESS OTHERWISE SPECIFIED	UNIT:mm	SCALE:1/1
---	---------	-----------

SPECIFICATIONS:
Contact Resistance : 30m Ω max
Insulation Resistance : 100M Ω min. at DC 500V
Dielectric Withstanding Voltage: AC 500V for one minute
Remark: \blacktriangle : The Most Important Dimension

RoHS Compliant For Reference
仅供参考