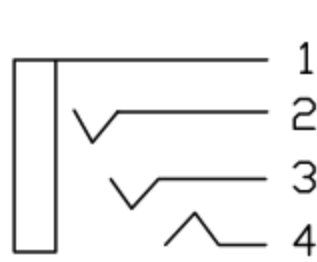
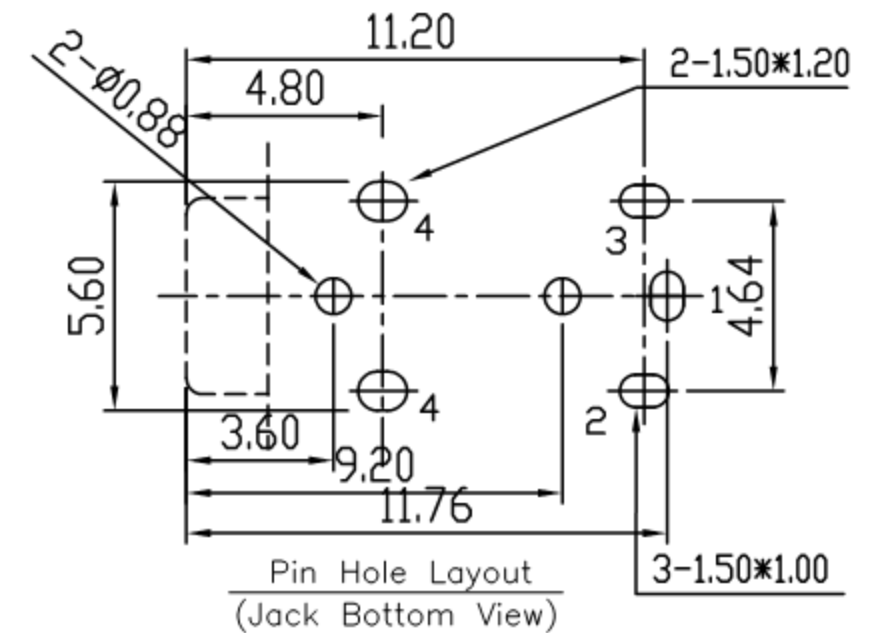
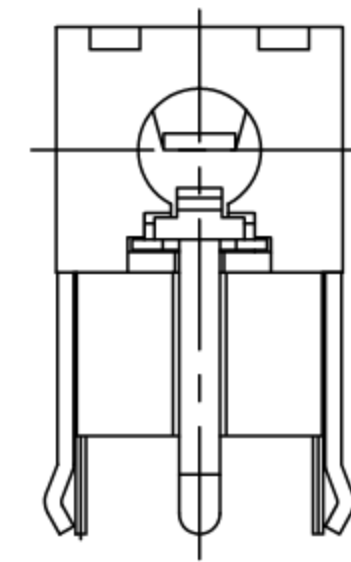
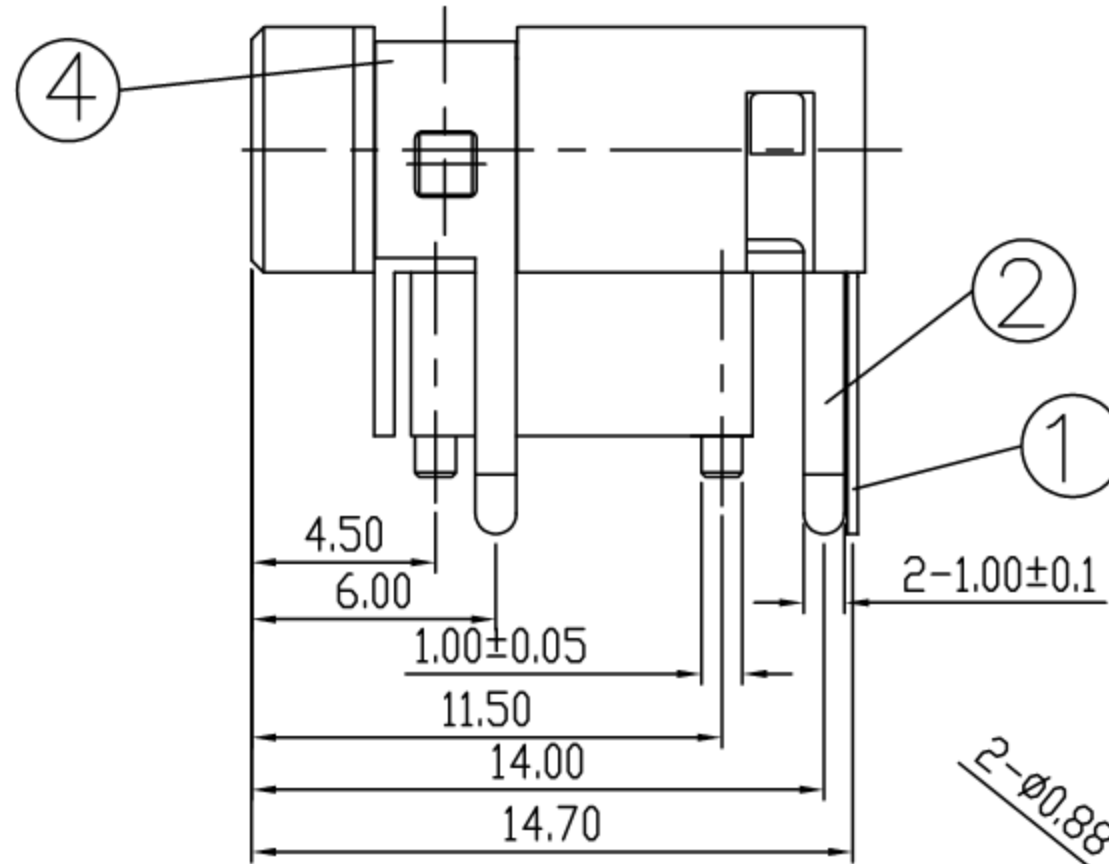
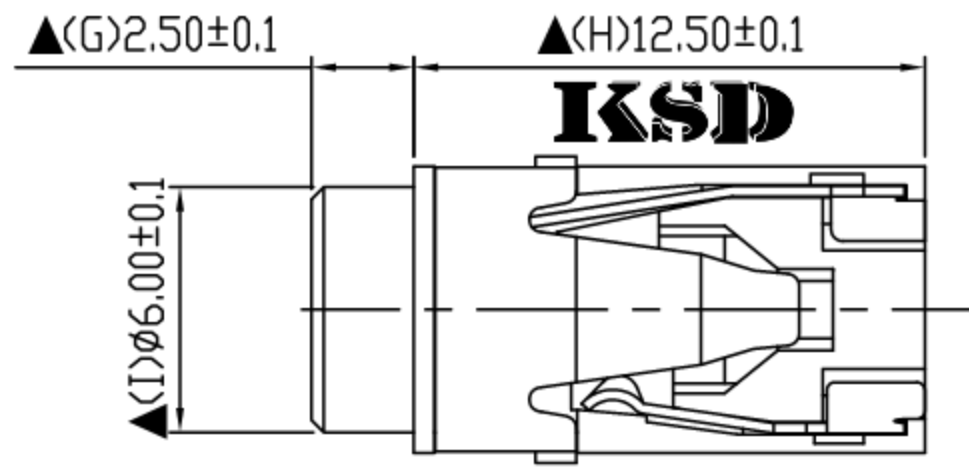
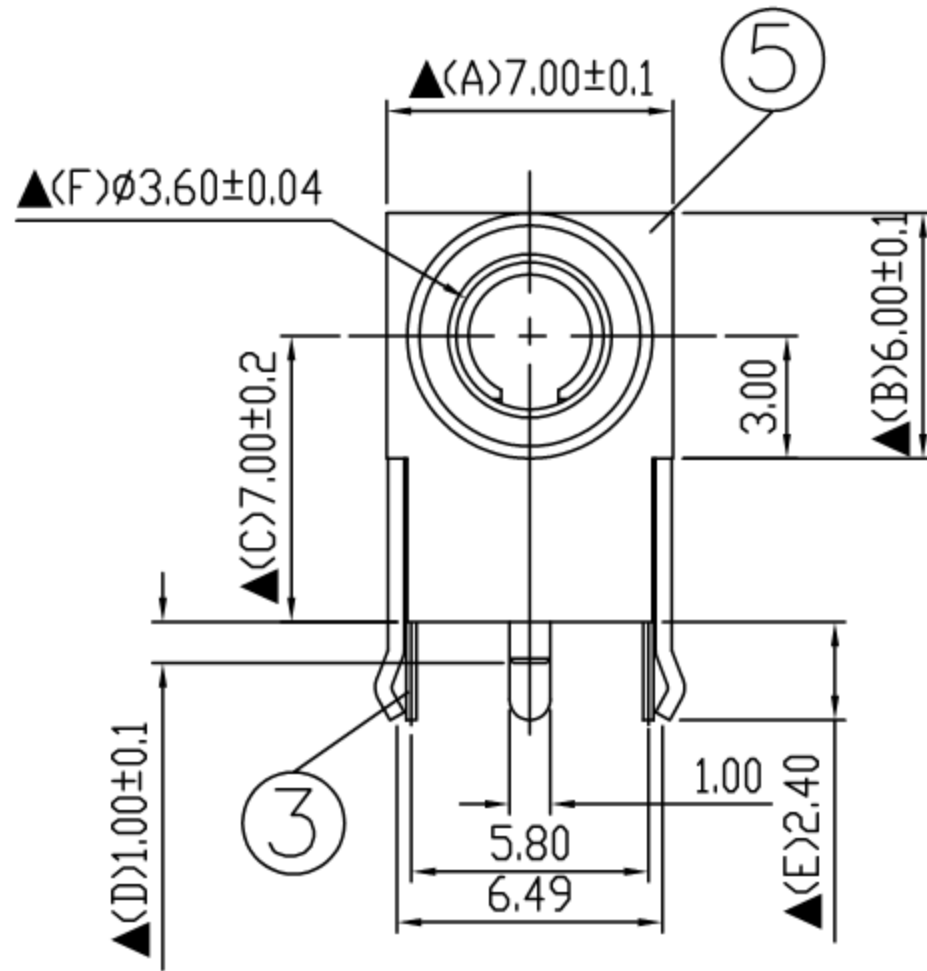


|           |   |
|-----------|---|
| Schematic |  |
| MODEL NO  | L   |



|    |                |                       |      |               |
|----|----------------|-----------------------|------|---------------|
| 5  | Housing        | PBT                   | 1    | Black Color   |
| 4  | Break Terminal | 0.4T Phosphor Bronze  | 1    | Silver Plated |
| 3  | Tip Spring     | 0.25T Phosphor Bronze | 1    | Silver Plated |
| 2  | Ring Spring    | 0.25T Phosphor Bronze | 1    | Silver Plated |
| 1  | Earth Terminal | 0.25T Phosphor Bronze | 1    | Silver Plated |
| NO | Descricpon     | Material              | Q'TY | Finish        |

|  |  |            |     |      |      |         |
|--|--|------------|-----|------|------|---------|
|  | 广东科斯达电子科技有限公司<br>GUANG DONG KE SI DA ELECTRONIC TECHNOLOGY CO., LTD. | DATE       | DWN | CHKD | APVD | MANAGER |
|  |  | 10.11.2012 |     |      |      |         |

|                             |                               |              |
|-----------------------------|-------------------------------|--------------|
| PART NAME : 3.5φ PHONE JACK | PART NUMBER: SCJ372P00LS0B00G | VERSION: 4.0 |
|-----------------------------|-------------------------------|--------------|

|   |  |            |
|---|--|------------|
| TOLERANCE : ±0.3mm UNLESS OTHERWISE SPECIFIED | UNIT: mm  | SCALE: 1/1 |
|---|--|------------|

SPECIFICATIONS:  
 Contact Resistance : 30mΩ max  
 Insulation Resistance : 100MΩ min. at DC 500V  
 Dielectric Withstand Voltage : AC 500V for one minute  
 Remark: ▲: The Most Important Dimension

RoHS Compliant For Reference 僅供參考