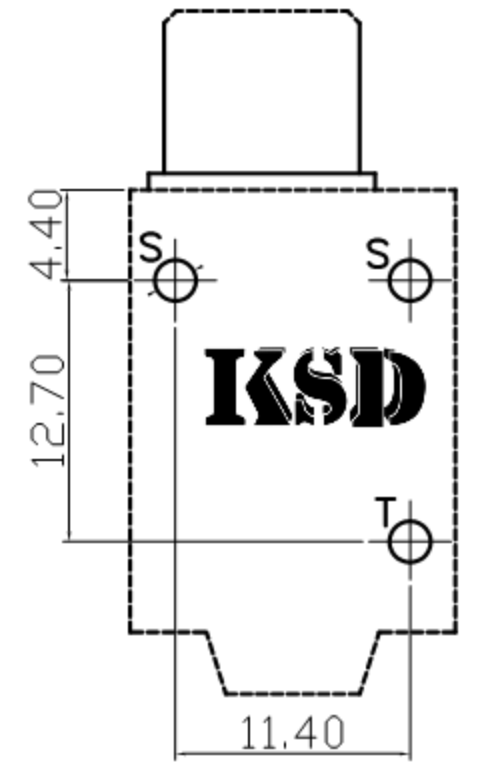
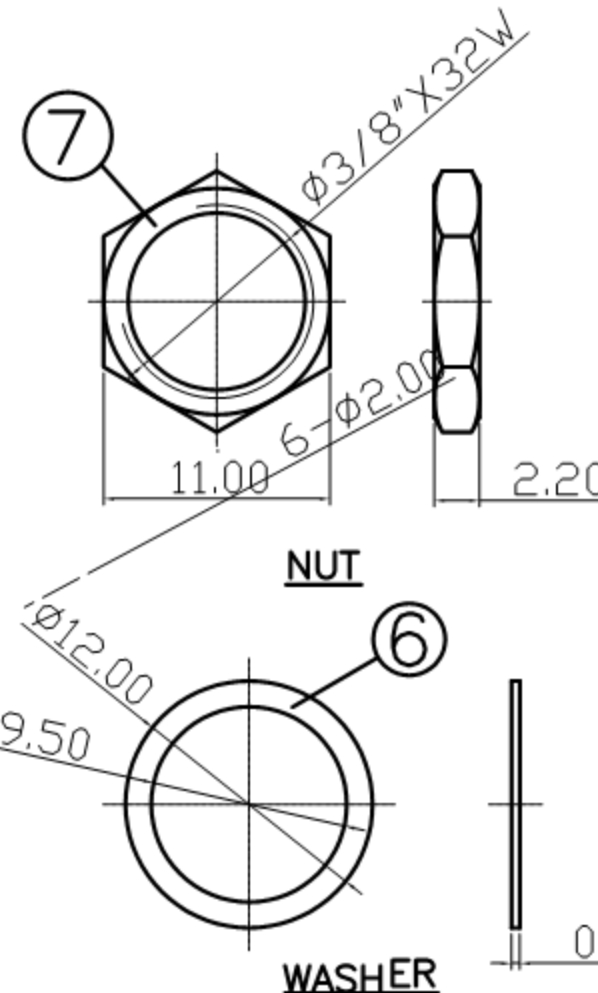
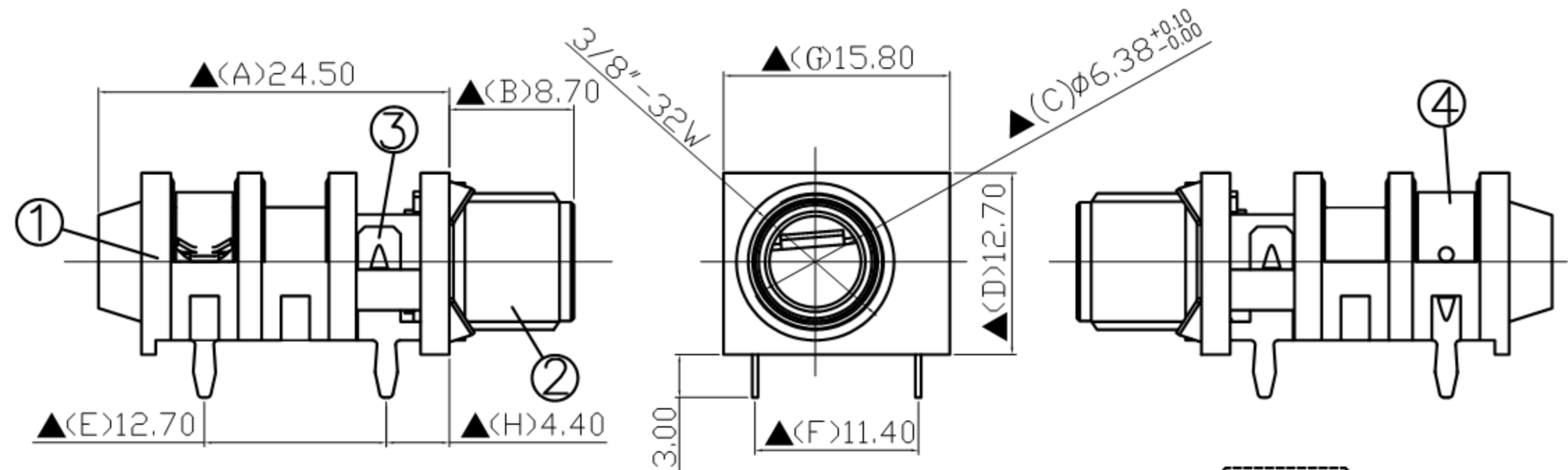


SCHEMATIC	
MODEL NO	A



Pin Hole Layout
(Jack Bottom View)

7.	Nut	2.2T Brass	1	Nickel Plated
6.	Washer	0.4T Brass	1	Nickel Plated
5.	Earth Spring	0.3T Steel	1	Nickel Plated
4.	Tip Spring	0.4T Phosphor Bronze	1	Silver Plated
3.	Sleeve Shunt	0.4T Bronze	1	Silver Plated
2.	Barrel	Brass	1	Nickel Plated
1.	Housing	PA66	1	Black Color
NO.	Description	Material		Finish

广东科斯达电子科技有限公司
GUANG DONG KE SI DA ELECTRONIC TECHNOLOGY CO., LTD.

DATE	DWN	CHKD	APVD	MA	KSD
11.01.2012					

PART NAME : 6.3φ PHONE JACK	PART NUMBER : .SCJ635M1NAS4BP0G	VERSION: 1.0
TOLERANCE : ±0.3mm UNLESS OTHERWISE SPECIFIED	UNIT: mm	SCALE: 1/1

SPECIFICATIONS:
 Contact Resistance : 30mΩ max
 Insulation Resistance : 100MΩ min. at DC 500V
 Dielectric Withstand Voltage : AC 500V for one minute
 Remark: ▲: The Most Important Dimension

RoHS Pb Free Process

For Reference 僅供參考