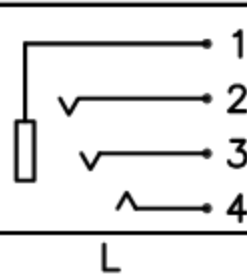
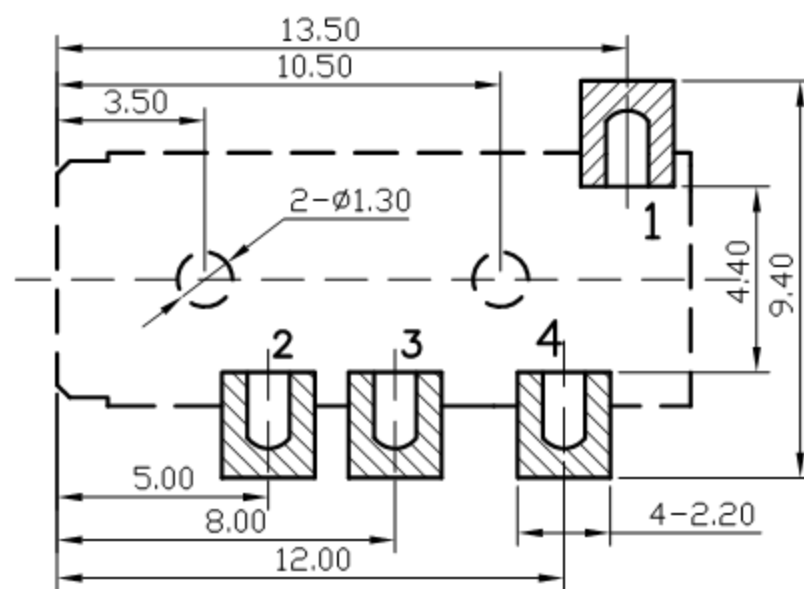
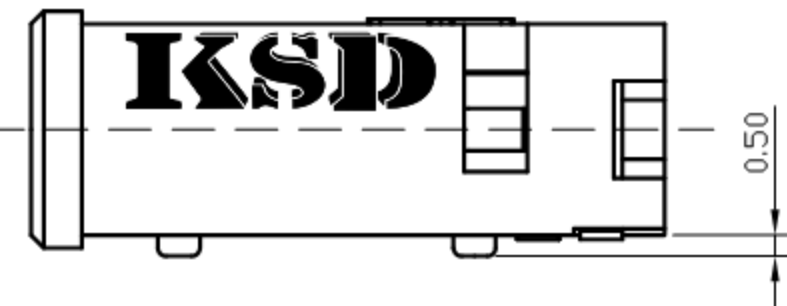
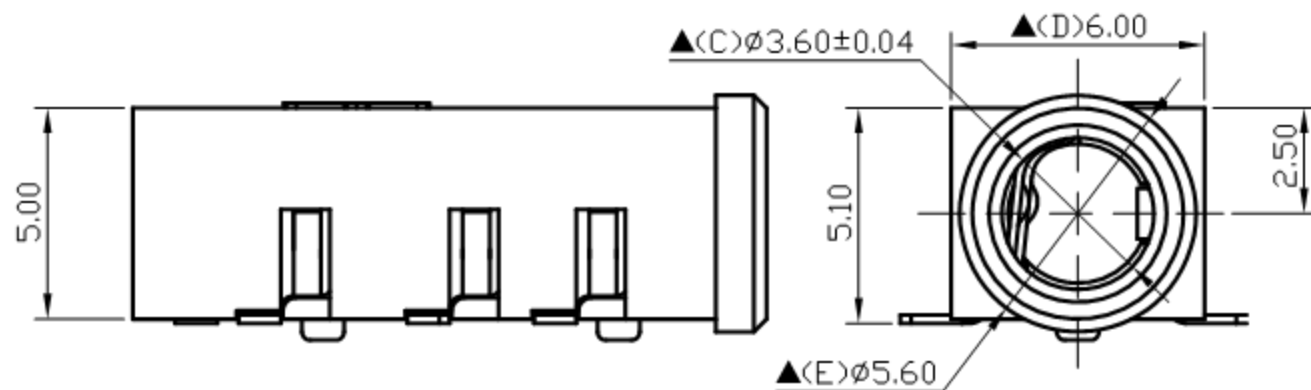
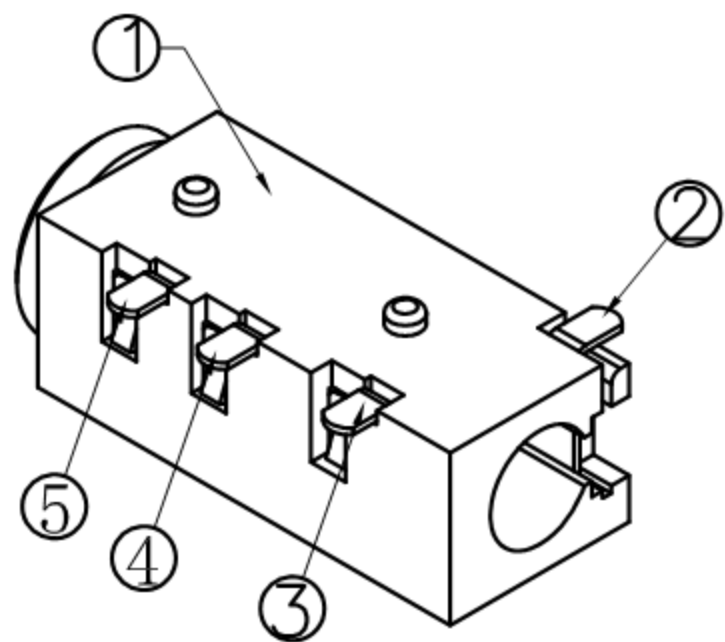
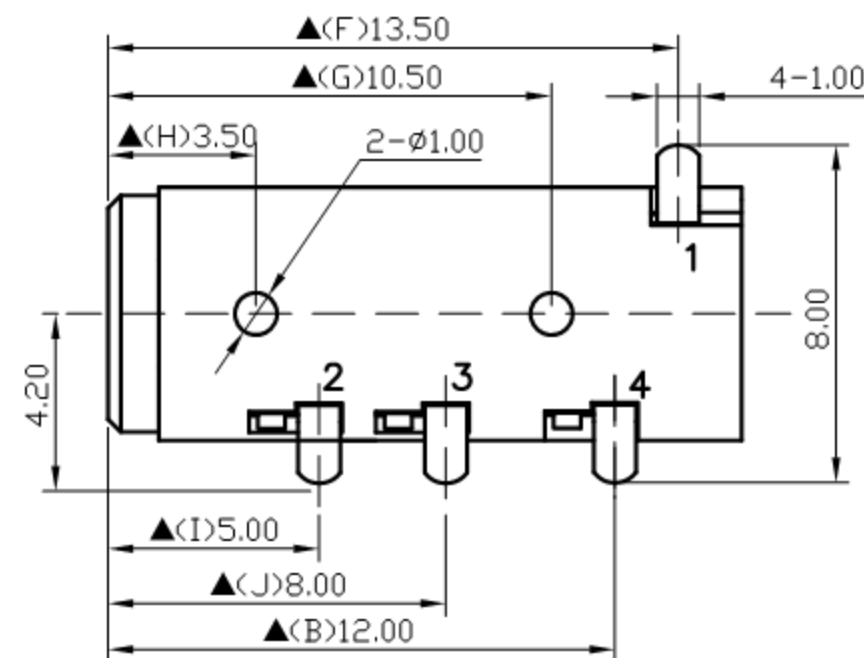
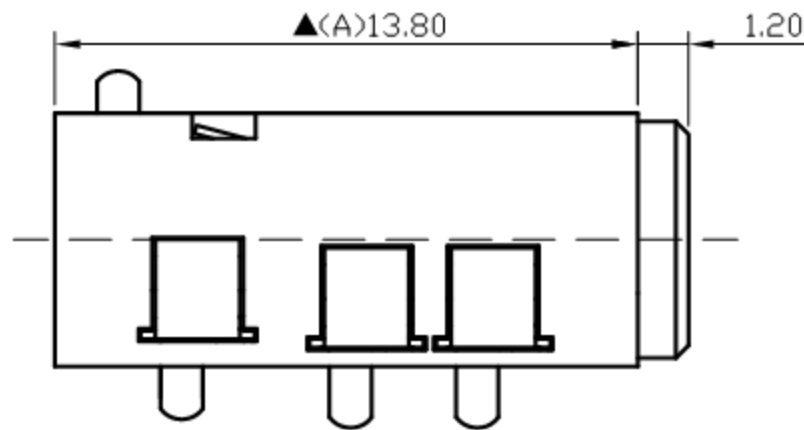


SCHEMATIC	
MODEL NO	L



Pin Hole Layout
(Jack Bottom View)

5.	Break Terminal	0.2T Phosphor Bronze	1	Silver Plated
4.	Tip Spring	0.2T Phosphor Bronze	1	Silver Plated
3.	Ring Spring	0.2T Phosphor Bronze	1	Silver Plated
2.	Earth Terminal	0.2T Phosphor Bronze	1	Silver Plated
1.	Housing	PA9T	1	Black Color
NO.	Description	Material	Q'TY	Finish

 广东科斯达电子科技有限公司 GUANG DONG KE SI DA ELECTRONIC TECHNOLOGY CO., LTD.	DATE	DWN	CHKD	APVD	MANAGER
	09.02.2020	王平華			

PART NAME : 3.5Ø PHONE JACK	PART NUMBER: SCJ322P00LS0B00G	VERSION: 3.0
-----------------------------	-------------------------------	--------------

TOLERANCE : ±0.3mm UNLESS OTHERWISE SPECIFIED	UNIT: mm	SCALE: 1/1
-----------------------------------------------	----------	------------

SPECIFICATIONS:
 Contact Resistance : 30mΩ max
 Insulation Resistance : 100MΩ min. at DC 500V
 Dielectric Withstand Voltage : AC 500V for one minute
 Remark: ▲: The Most Important Dimension

For Redference
僅供參攷

RoHS&SVHC
Pb Free Process