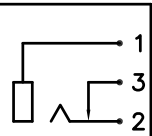
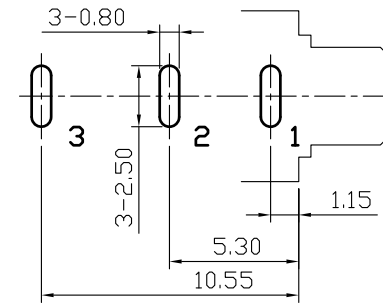
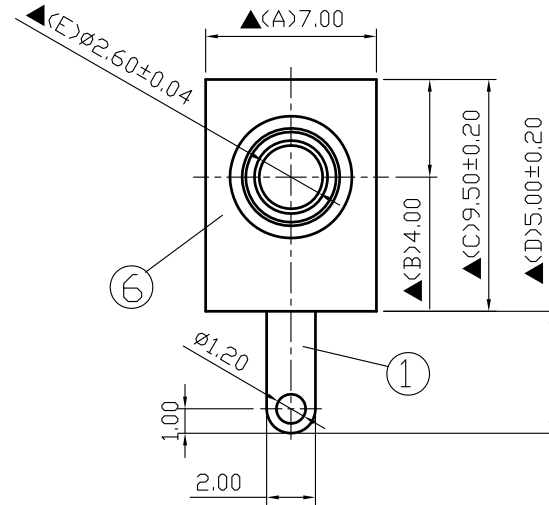
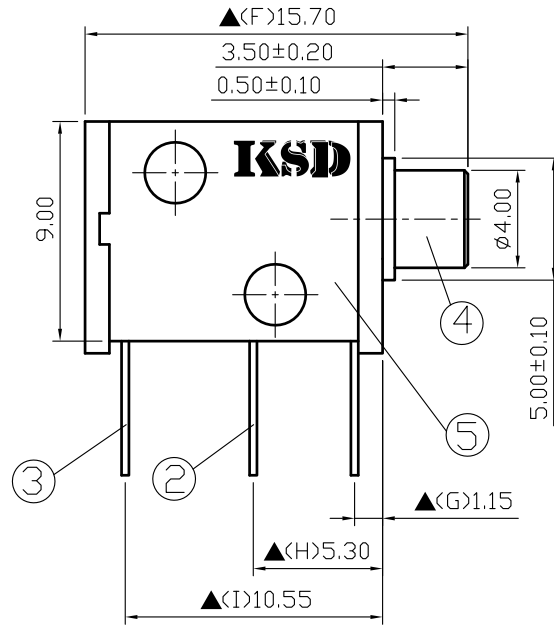


SCHEMATIC	
MODEL NO	Y



Pin Hole Layout  
(Jack Bottom View)

6.	Housing	PBT+30%	1	Black Color
5.	Cover	PBT+30%	1	Black Color
4.	Barrel	Low Lead Brass Rod	1	Nickel Plated
3.	Break Terminal	0.3T Brass	1	Silver Plated
2.	Ring Spring	0.25T Phosphor Bronze	1	Silver Plated
1.	Earth Terminal	0.3T Brass	1	Silver Plated
NO	Description	Material	Q'TY	Finish

	广东科斯达电子科技有限公司 GUANG DONG KE SI DA ELECTRONIC TECHNOLOGY CO., LTD.	DATE	DWN	CHKD	APVD	MANAGER
		06.16.2021	王平華			

PART NAME :2.5φ PHONE JACK	PART NUMBER:SCJ220MONYS0B00L	VERSION:2.0
----------------------------	------------------------------	-------------

TOLERANCE :±0.3mm UNLESS OTHERWISE SPECIFIED	UNIT:mm 	SCALE:/
--	---	---------

SPECIFICATIONS:  
Contact Resistance : 30mΩ max  
Insulation Resistance : 100MΩ min. at DC 500V  
Dielectric Withstanding Voltage: AC 500V for one minute  
Remark: ▲: The Most Important Dimension

For Redference  
僅供參考

RoHS&SVHC  
Compliant