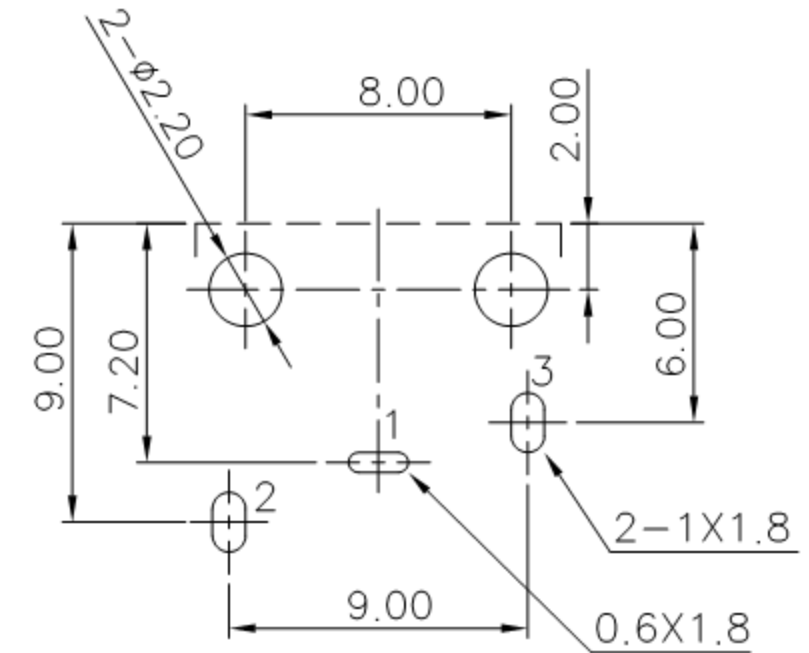
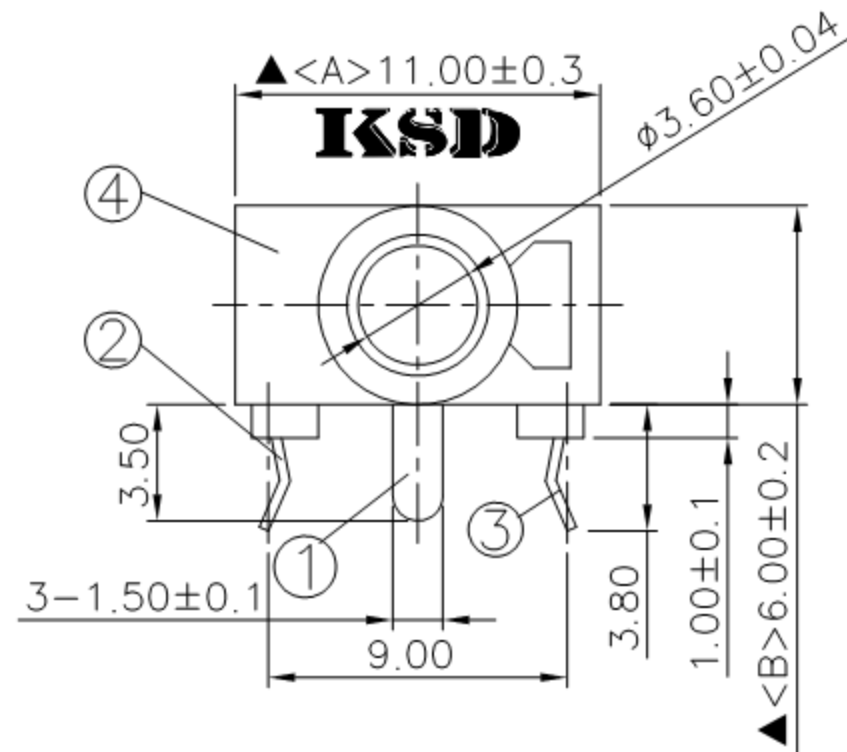
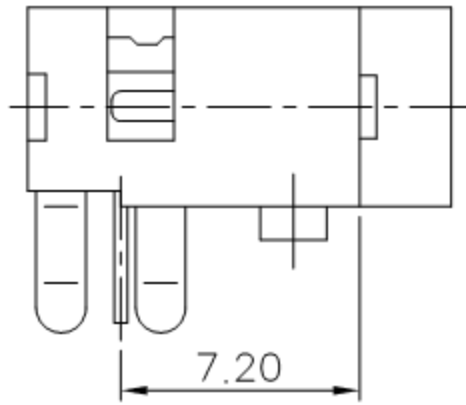


SCHEMATIC	
MODEL NO	X



Pin Hole Layout
(Jack Bottom View)

4.	Housing	PBT	1	Black Color
3.	Ring Spring	0.3T Phosphor Bronze	1	Silver Plated
2.	Tip Spring	0.3T Phosphor Bronze	1	Silver Plated
1.	Earth Terminal	0.4T Bronze	1	Silver Plated
NO.	Description	Material	Q'TY	Finish

	广东科斯达电子科技有限公司 GUANG DONG KE SI DA ELECTRONIC TECHNOLOGY CO., LTD.	DATE	DWN	CHKD	APVD	MANAGER
		09.16.2020	王平華			

PART NAME : 3.5φ PHONE JACK	PART NUMBER: SCJ338P00XS0B00G	VERSION:5.0
-----------------------------	-------------------------------	-------------

TOLERANCE :±0.3mm UNLESS OTHERWISE SPECIFIED	UNIT:mm		SCALE:1/1
--	---------	--	-----------

SPECIFICATIONS:
 Contact Resistance : 30mΩ max
 Insulation Resistance : 100MΩ min. at DC 500V
 Dielectric Withstanding Voltage: AC 500V for one minute
 Remark: ▲: The Most Important Dimension

For Reference
提供參攷

RoHS&SVHC
Compliant