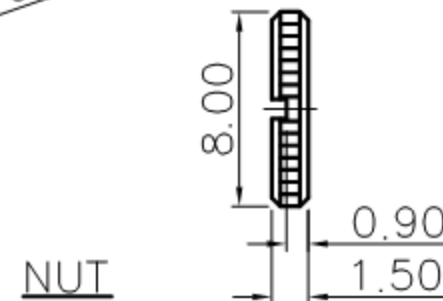
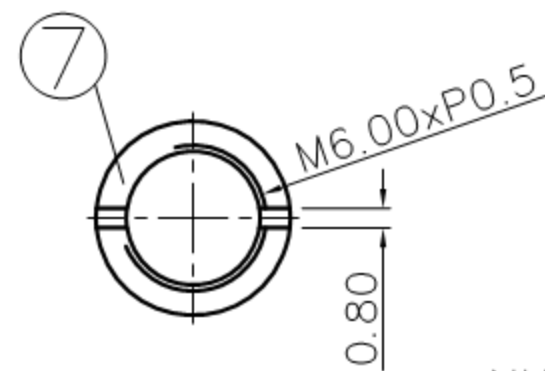


NO.	Description	Material	Q'TY	Finish
7.	NUT	Low lead Brass Rod	1	Nickel Plated
6.	Cover	1.0T Bakelite	1	Natural
5.	Housing	POM	1	Ivory Color
4.	Barrel(W/Thread)	Low lead Brass Rod	1	Nickel Plated
3.	Break Spring	0.3T Phosphor Bronze	1	Silver Plated
2.	Tip Spring	0.2T Phosphor Bronze	1	Silver Plated
1.	Earth Terminal	0.3T Brass	1	Silver Plated



广东科斯达电子科技有限公司 GUANG DONG KE SI DA ELECTRONIC TECHNOLOGY CO., LTD.	DATE	DWN	CHKD	APVD	MANAGER
	09.15.2020	王平華			

PART NAME : 3.5φ PHONE JACK	PART NUMBER: SCJ312M1NYS1I00L	VERSION: 1.0
-----------------------------	-------------------------------	--------------

TOLERANCE : ±0.3mm UNLESS OTHERWISE SPECIFIED	UNIT: mm	SCALE: 1/1
---	----------	------------

SPECIFICATIONS:
 Contact Resistance : 30mΩ max
 Insulation Resistance : 100MΩ min. at DC 500V
 Dielectric Withstanding Voltage: AC 500V for one minute
 Remark: ▲: The Most Important Dimension

For Reference
 僅供參考
 RoHS&SVHC
 Compliant