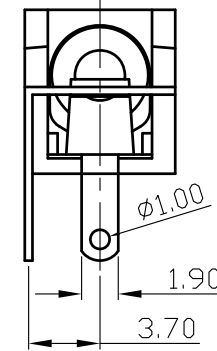
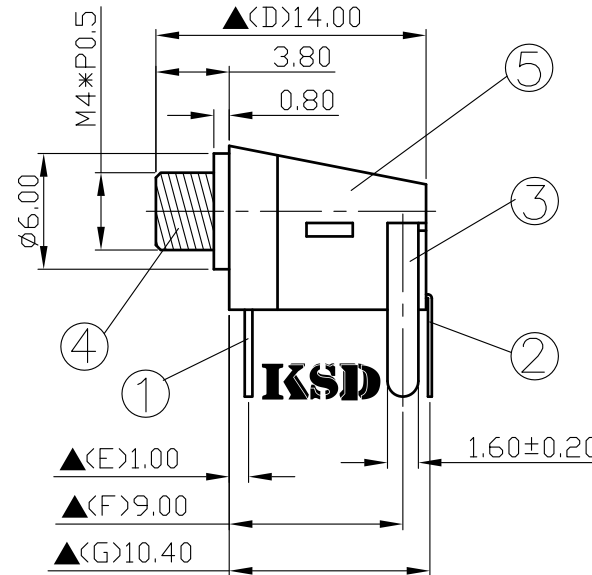
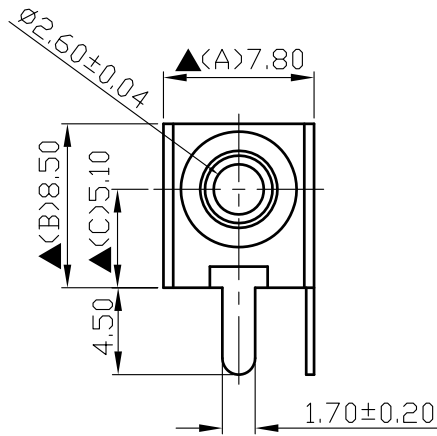
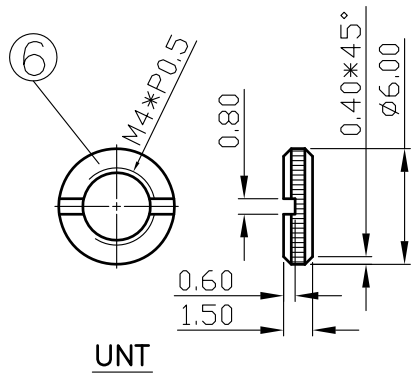
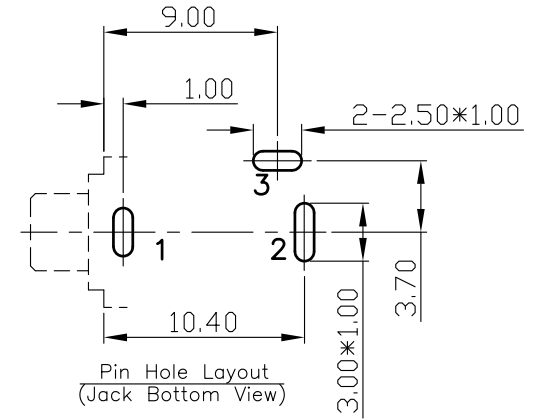
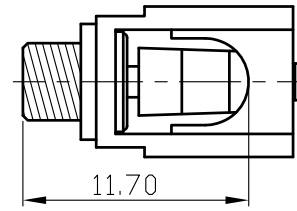


SCHEMATIC	
MODEL NO	Y



6.	Nut	Low Lead Brass Rod	1	Nickel Plated
5.	Housing	POM	1	Black Color
4.	Barrel(W/Thread)	Low Lead Brass Rod	1	Nickel Plated
3.	Break Terminal	0.4T Brass	1	Silver Plated
2.	Tip Spring	0.2T YcuT	1	Silver Plated
1.	Pin Terminal	0.4T Brass	1	Silver Plated
NO.	Description	Material	Q' TY	Finish

	广东科斯达电子科技有限公司 GUANG DONG KE SI DA ELECTRONIC TECHNOLOGY CO., LTD.	DATE	DWN	CHKD	APVD	MANAGER
		08.31.2021	王平華			

For Redference  
僅供參考

RoHS&SVHC  
Compliant

PART NAME : 2.5φ PHONE JACK    PART NUMBER: SCJ218M1NYS1B00L    VERSION:1.0

TOLERANCE :±0.3mm UNLESS OTHERWISE SPECIFIED    UNIT:mm    SCALE:1/1

SPECIFICATIONS:  
Contact Resistance : 30mΩ max  
Insulation Resistance : 100MΩ min. at DC 500V  
Dielectric Withstand Voltage : AC 500V for one minute  
Remark: ▲: The Most Important Dimension