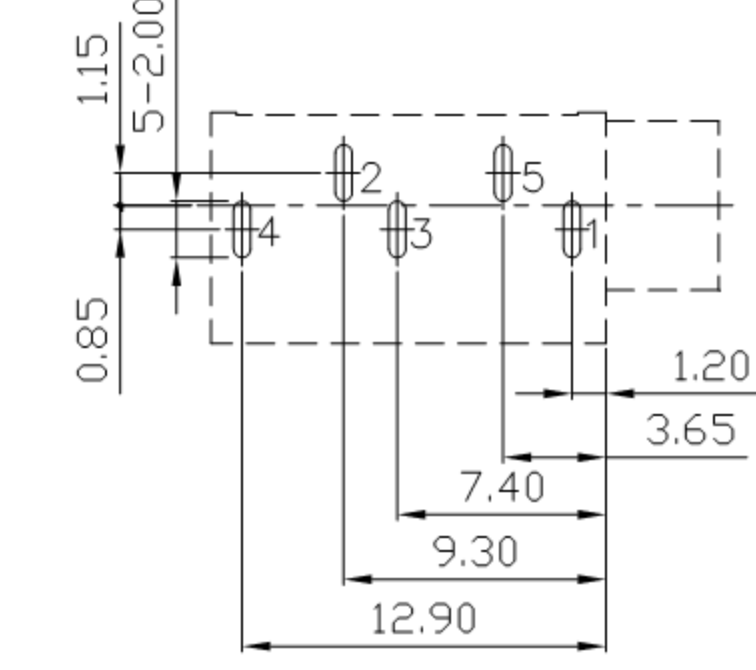
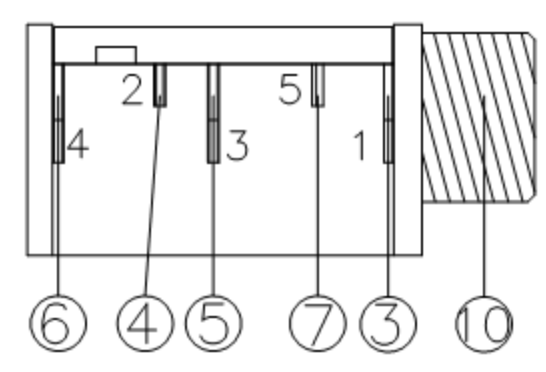
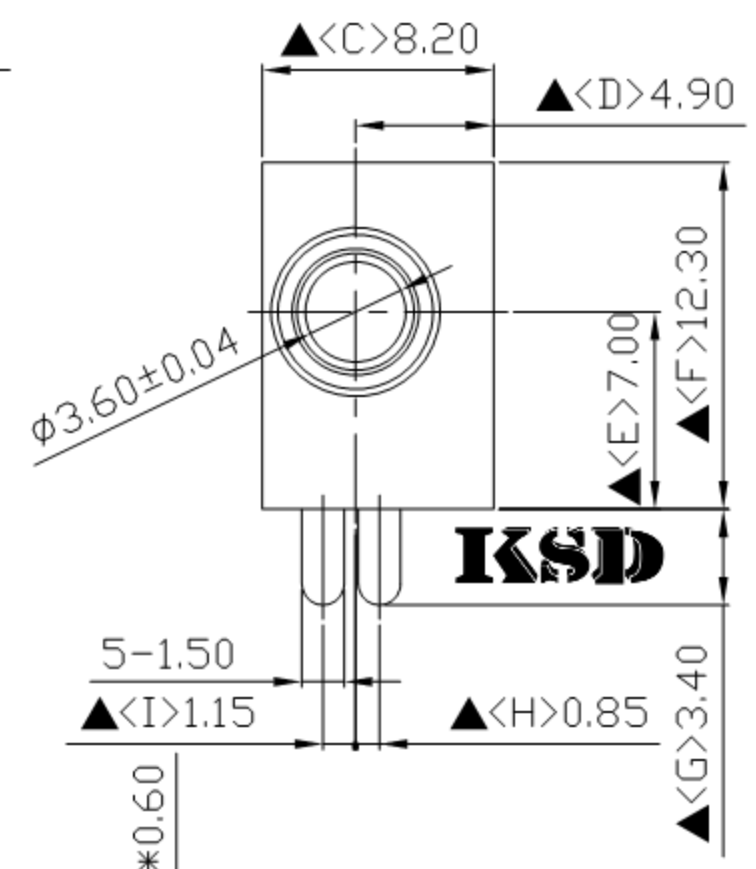
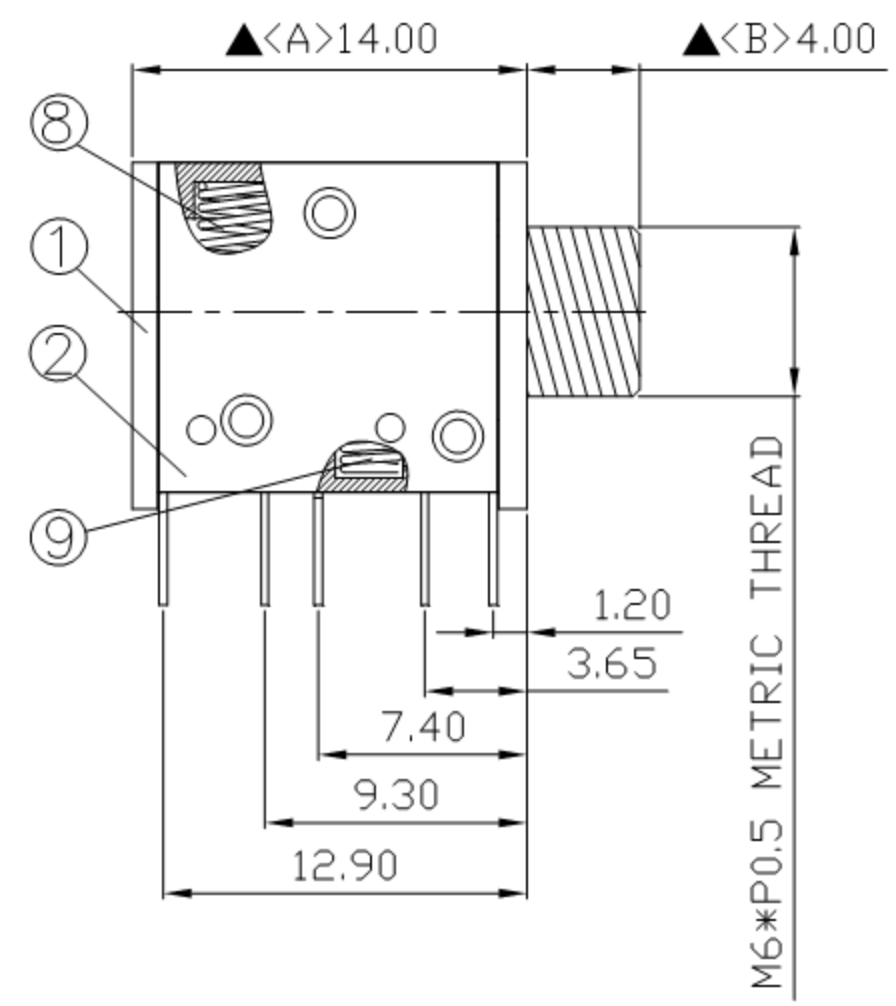


11.	Nut	1.5T Brass	1	Nickel Plated
10.	Barrel	Brass	1	Nickel Plated
9.	Spring S	SUS-304	1	
8.	Spring L	SUS-304	1	
7.	Tip Sping	0.25T Brass	1	Silver Plated
6.	Shunt Terminal B	0.3T Brass	1	Silver Plated
5.	Shunt Terminal A	0.3T Brass	1	Silver Plated
4.	Ring Spring	0.25T Brass	1	Silver Plated
3.	Earth Terminal	0.3T Brass	1	Silver Plated
2.	Cover	PBT	1	Black Color
1.	Housing	PBT	1	Black Color
NO.	Description	Material	Q'TY	Finish



Pin Hole Layout  
(Jack Bottom View)

RoHS  
Compliant

	<b>广东科斯达电子科技有限公司</b> GUANG DONG KE SI DA ELECTRONIC TECHNOLOGY CO., LTD.	DATE	DWN	CHKD	APVD	MANAGER
		10.17.2018	王平華			

PART NAME: 3.5 $\phi$ PHONE JACK	PART NUMBER: SCJ368M1NUS1B00G	VERSION:5.0
TOLERANCE : $\pm$ 0.3mm UNLESS OTHERWISE SPECIFIED		UNIT:mm
		SCALE:1/1

SPECIFICATIONS:  
 Contact Resistance : 30m $\Omega$  max  
 Current Rating : Max 5.0A , 24V DC  
 Insulation Resistance : 100M $\Omega$  min. at DC 500V  
 Dielectric Withstand Voltage : AC 500V for one minute  
 Remark: ▲ : The Most Important Dimension