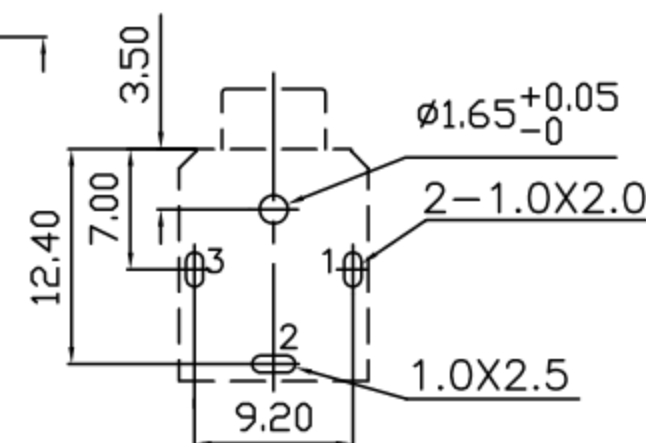
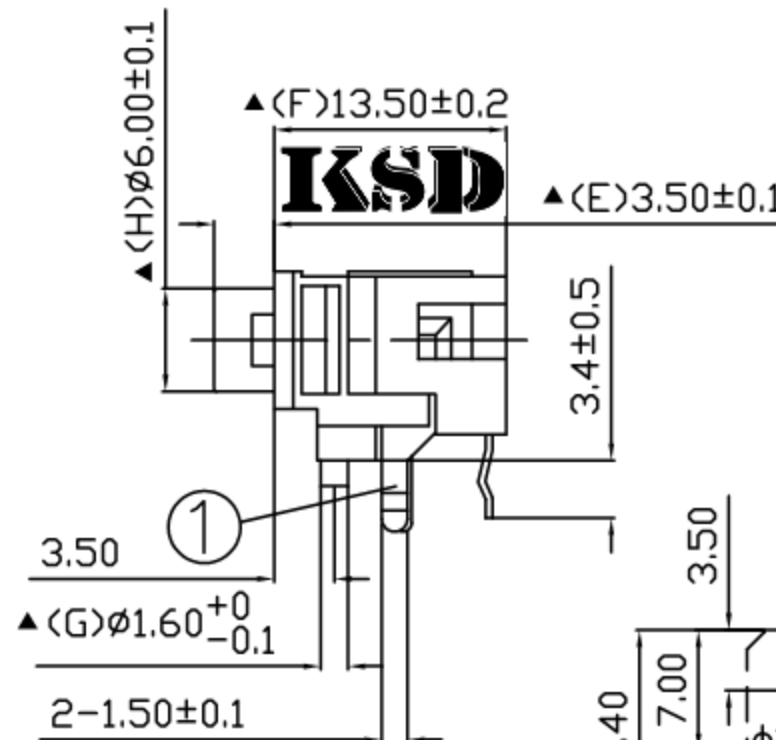
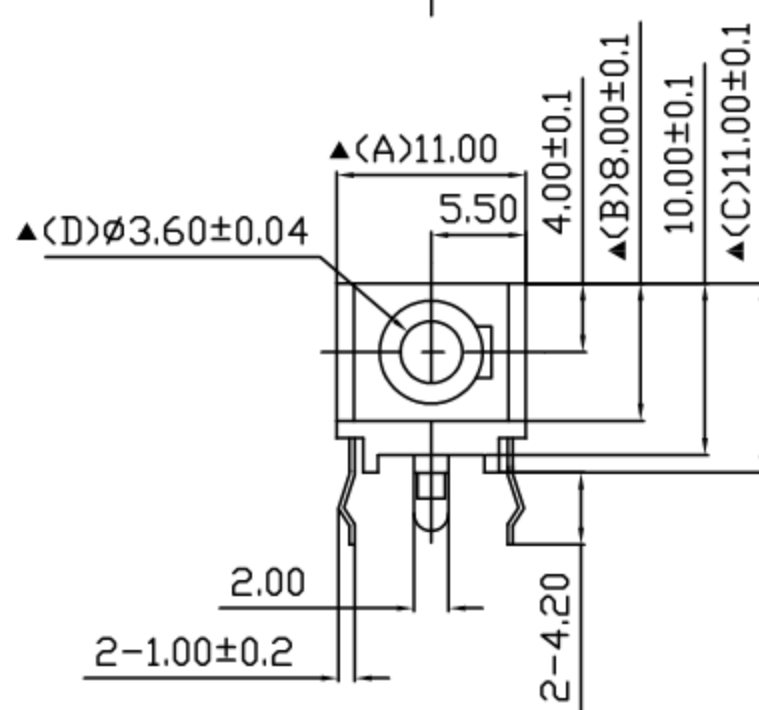
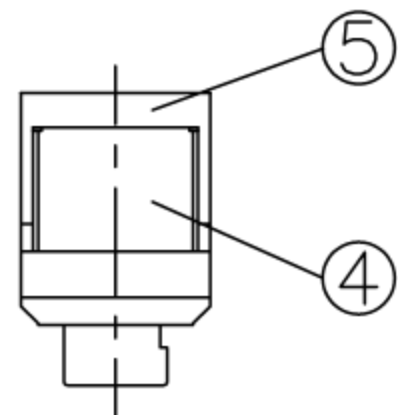
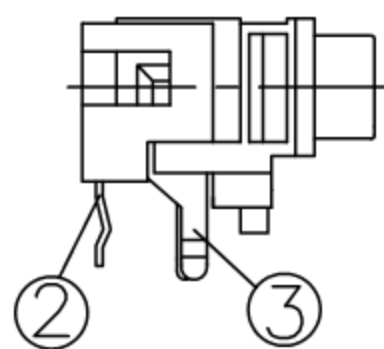
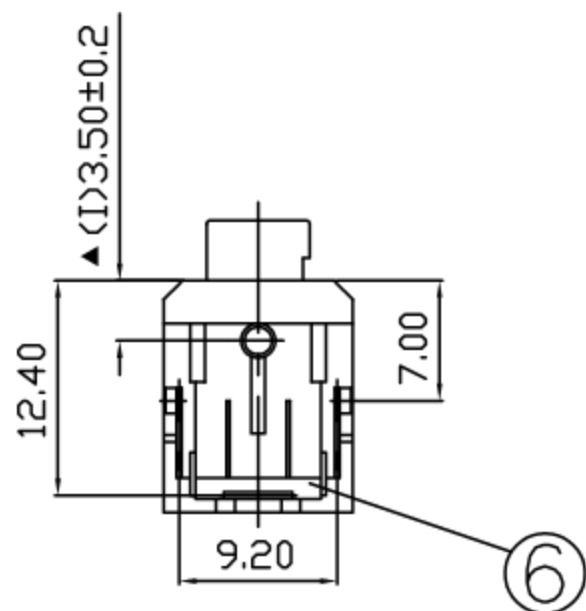


SCHEMATIC	
MODEL NO	A



Pin Hole Layout
(Jack Bottom View)



6.	Insulator	POM	1	White Color
5.	Cover	POM	1	White Color
4.	Housing	PBT	1	Black Color
3.	Ring Spring	0.25T Phosphor Bronze	1	Silver Plated
2.	Chip/Tip Spring	0.3T Phosphor Bronze	1	Silver Plated
1.	Earth Terminal	0.25T Phosphor Bronze	1	Silver Plated
NO.	Description	Material	Q'TY	Finish

	广东科斯达电子科技有限公司 GUANG DONG KE SI DA ELECTRONIC TECHNOLOGY CO., LTD.	DATE	DWN	CHKD	APVD	MANAGER
		01.10.2012				

PART NAME : 3.5∅ PHONE JACK	PART NUMBER : SCJ344P00AS0B00G	VERSION: 3.0
TOLERANCE : ±0.3mm UNLESS OTHERWISE SPECIFIED		SCALE: 1/1

SPECIFICATIONS:
 Contact Resistance : 30mΩ max
 Insulation Resistance : 100MΩ min. at DC 500V
 Dielectric Withstanding Voltage: AC 500V for one minute
 Remark: ▲: The Most Important Dimension

RoHS
Compliant

For Reference
僅供參考