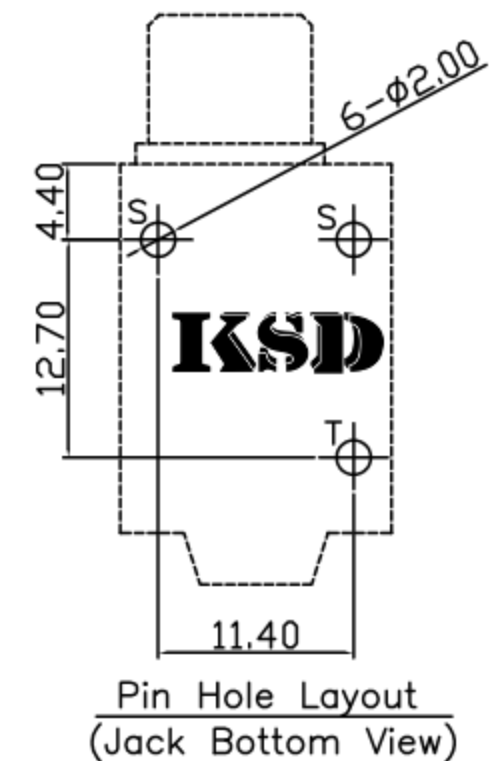
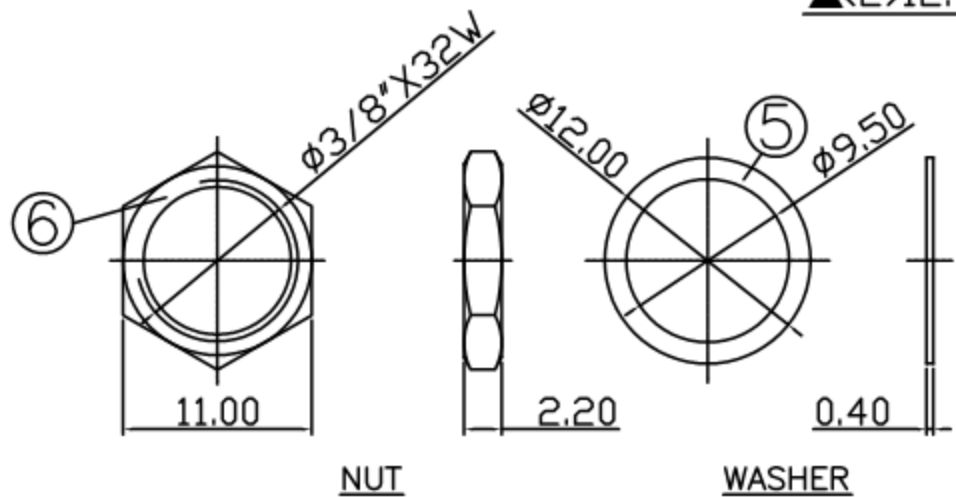
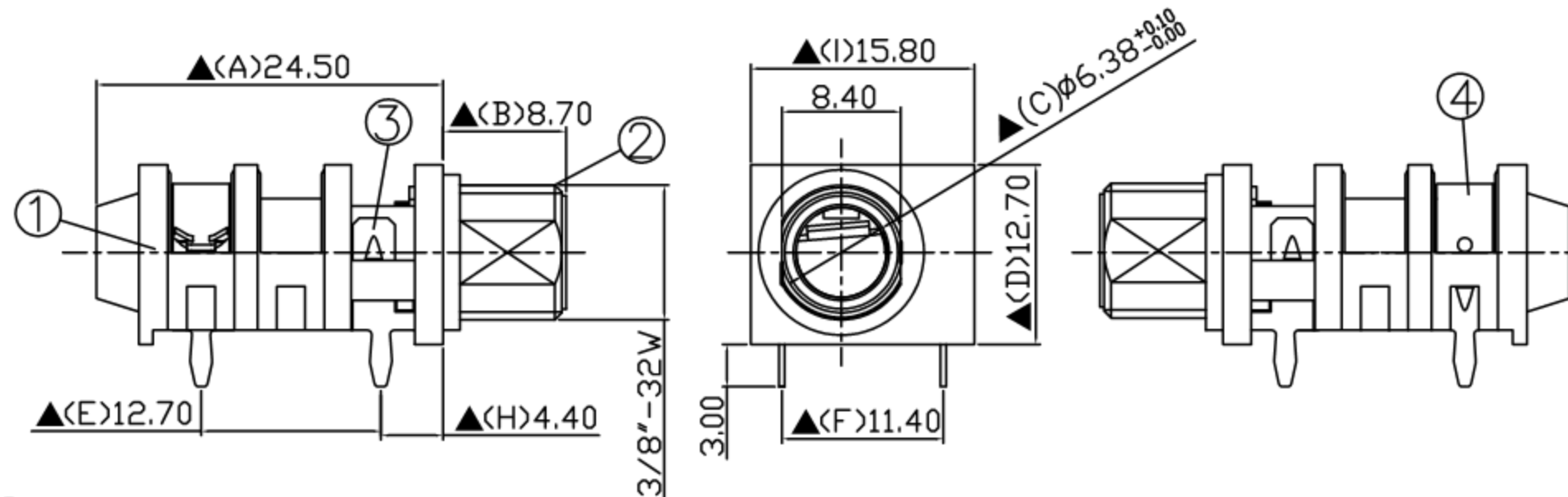


SCHEMATIC	
MODEL NO	A



6.	Nut	2.2T Brass	1	Nickel Plated
5.	Washer	0.4T Brass	1	Nickel Plated
4.	Tip Spring	0.4T Phosphor Bronze	1	Silver Plated
3.	Sleeve Shunt	0.4T Bronze	1	Silver Plated
2.	Barrel	Brass	1	Nickel Plated
1.	Housing	PBT	1	Black Color
NO.	Description	Material	Q'TY	Finish

<b>广东科斯达电子科技有限公司</b> GUANG DONG KE SI DA ELECTRONIC TECHNOLOGY CO., LTD.	DATE	DWN	CHKD	APVD	MANAGER
	10.28.2012				

PART NAME : 6.3φ PHONE JACK	PART NUMBER: SCJ636R6NAS4BP0G	VERSION: 1.0
-----------------------------	-------------------------------	--------------

TOLERANCE : ±0.3mm UNLESS OTHERWISE SPECIFIED	UNIT: mm		SCALE: /
---	----------	--	----------

SPECIFICATIONS:  
 Contact Resistance : 30mΩ max  
 Insulation Resistance : 100MΩ min. at DC 500V  
 Dielectric Withstand Voltage : AC 500V for one minute  
 Remark: ▲: The Most Important Dimension

RoHS  
 Pb Free Process  
 For Reference  
 僅供參考