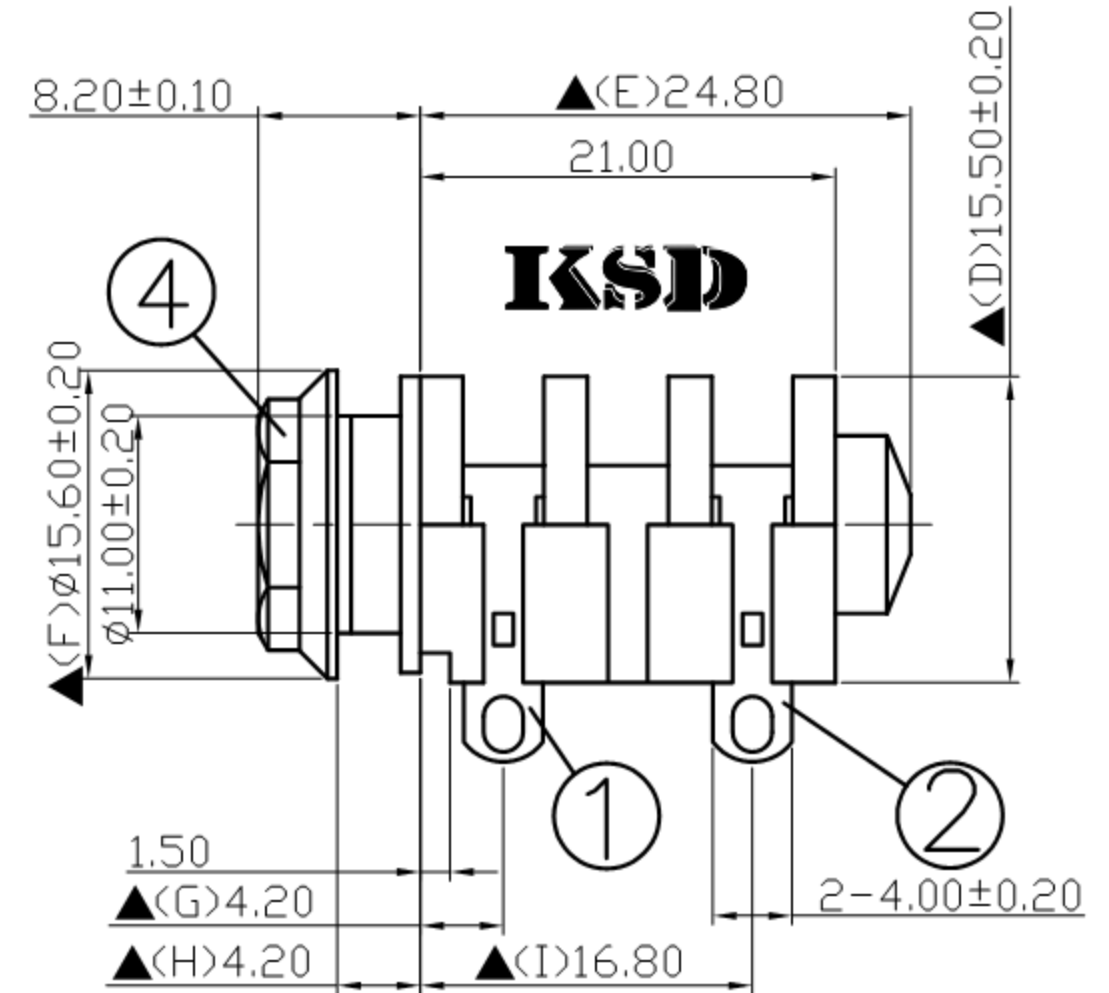
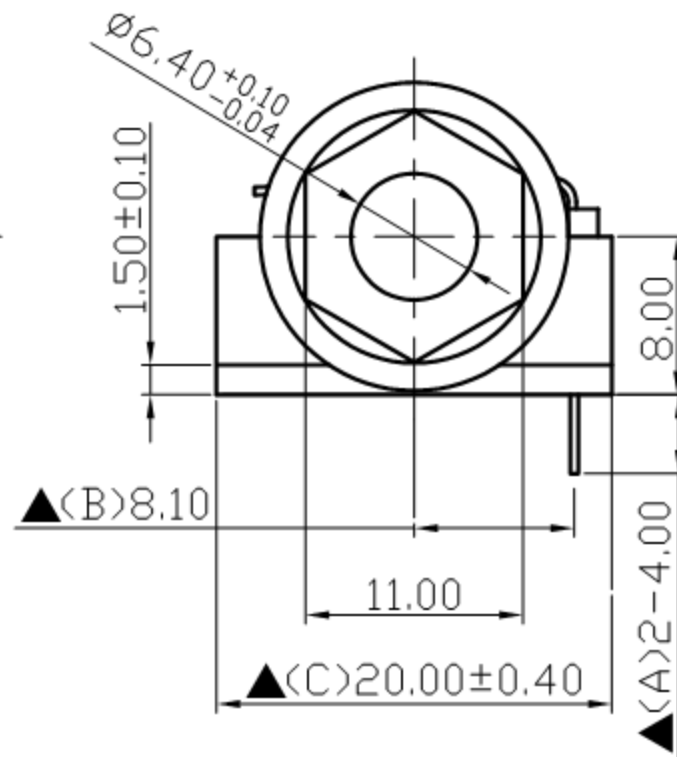
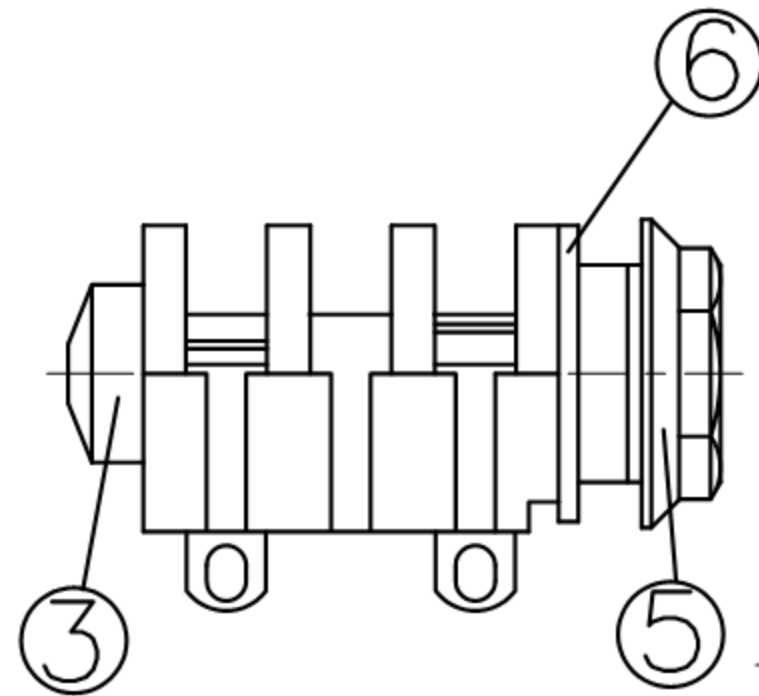


SCHEMATIC	
MODEL NO	A



6.	Washer	PAPER SHEET t1.0	1	Red Color
5.	Bushing	PA66	1	Black Color
4.	Nut-Metal	Brass	1	Nickel Plated
3.	Housing	PA66	1	Black Color
2.	Tip Spring	0.4T Phosphor Bronze	1	Silver Plated
1.	Sleeve Spring	0.4T Phosphor Bronze	1	Silver Plated
NO.	Description	Material	Q'TY	Finish

DATE	DWN	CHKD	APVD	MANAGER
10.12.2011				

广东科斯达电子科技有限公司
GUANG DONG KE SI DA ELECTRONIC TECHNOLOGY CO., LTD.

PART NAME : 6.3φ PHONE JACK PART NUMBER: SCJ644R5NAS0BW0G VERSION: 5.0

TOLERANCE : ±0.3mm UNLESS OTHERWISE SPECIFIED UNIT: mm SCALE: 1/1

SPECIFICATIONS:
 Contact Resistance : 30mΩ max
 Insulation Resistance : 100MΩ min. at DC 500V
 Dielectric Withstand Voltage : AC 500V for one minute
 Remark: ▲: The Most Important Dimension

RoHS
Pb Free Process

For Reference
僅供參考