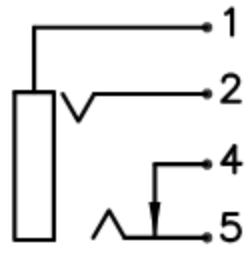


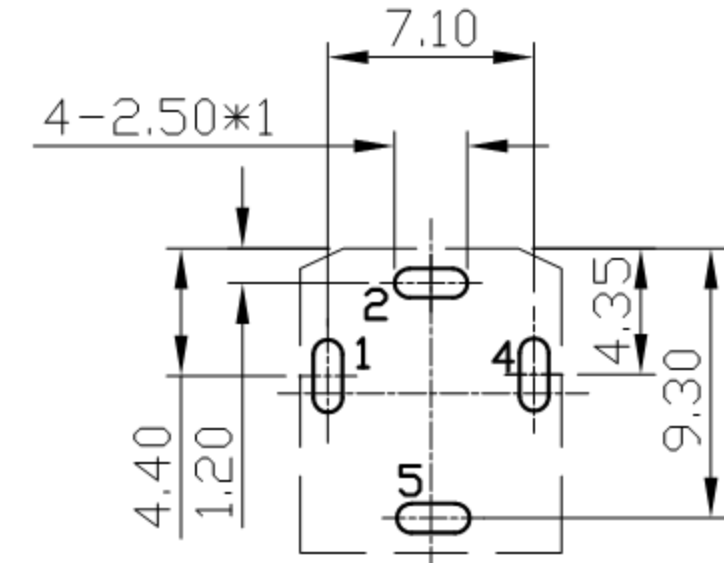
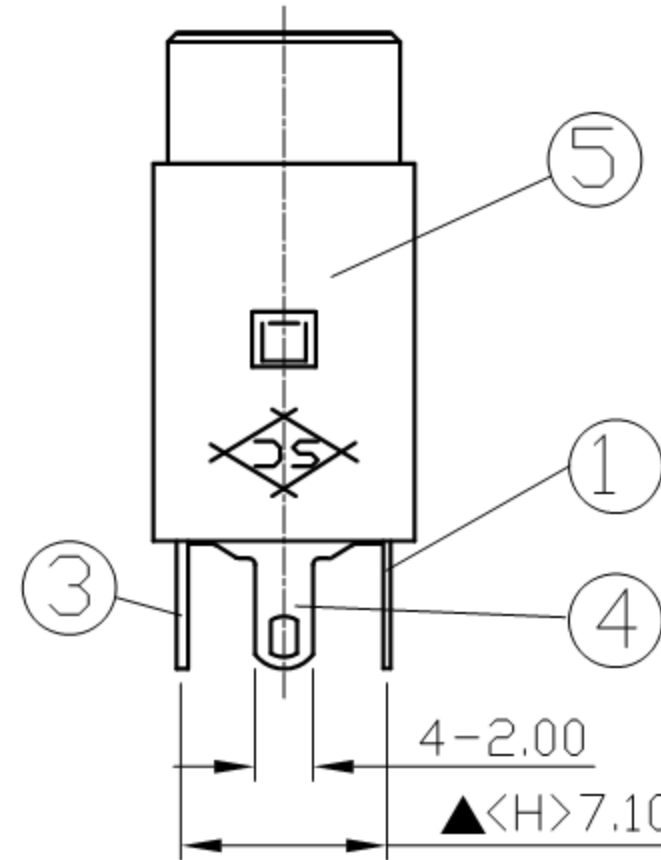
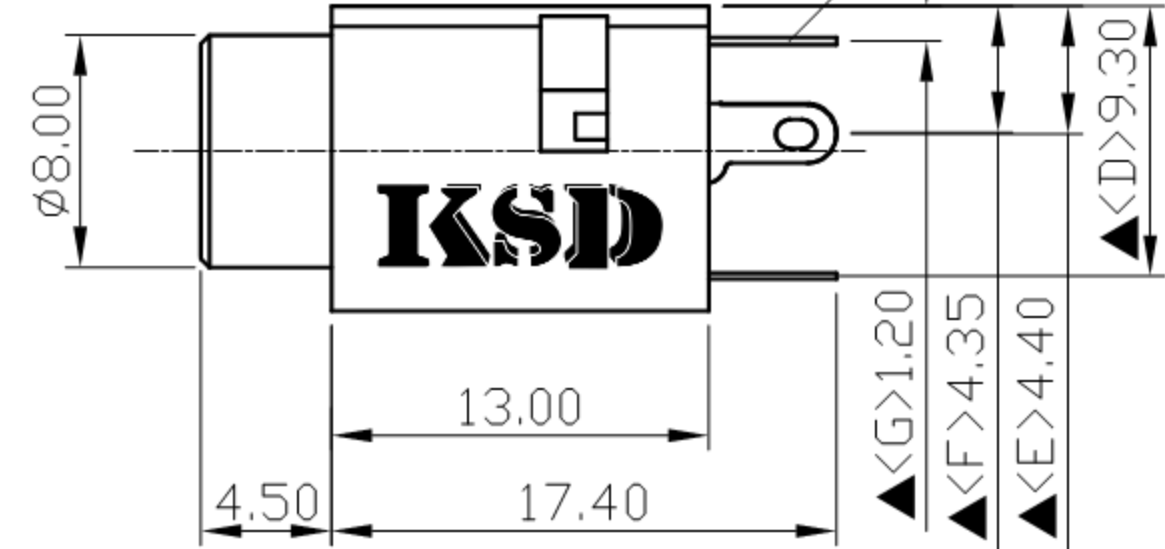
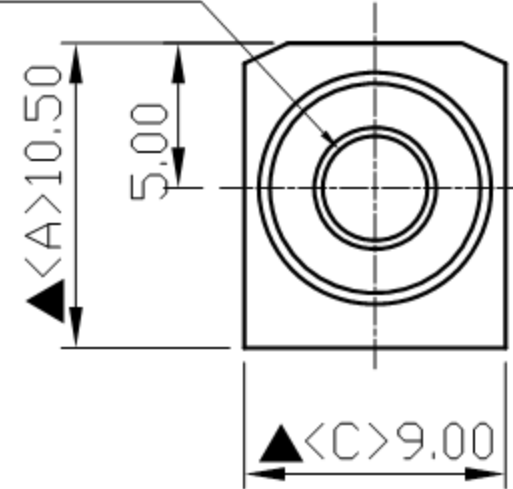
SCHEMATIC



MODEL NO

V

▲<B>φ3.60±0.04



Pin Hole Layout  
(Jack Bottom View)

5.	Housing	PBT+15%	1	Black Color
4.	Tip Spring	0.2T Phosphor Bronze	1	Silver Plated
3.	Break Terminal	0.4T Brass	1	Silver Plated
2.	Ring Spring	0.25T Phosphor Bronze	1	Silver Plated
1.	Earth Terminal	0.25T Phosphor Bronze	1	Silver Plated
NO.	Description	Material	Q'TY	Finish

For Redference  
僅供參考

	<b>广东科斯达电子科技有限公司</b> GUANG DONG KE SI DA ELECTRONIC TECHNOLOGY CO., LTD.	DATE	DWN	CHKD	APVD	MANAGER
		07.15.2021	王平華			

RoHS&SVHC  
Compliant

PART NAME :3.5φ PHONE JACK	PART NUMBER: SCJ330P00VS0B00G	VERSION: 4.0
TOLERANCE :±0.3mm UNLESS OTHERWISE SPECIFIED		UNIT:mm
		SCALE: 1/1

SPECIFICATIONS:  
 Contact Resistance : 30mΩ max  
 Insulation Resistance : 100MΩ min. at DC 500V  
 Dielectric Withstanding Voltage: AC 500V for one minute  
 Remark: ▲: The Most Important Dimension